

P	LTR	DESCRIPTION	DATE	DWN	APVD
	A	INITIAL RELEASED	18APR2024	YS	WT
	A1	UPDATE CABLES NOTE	09MAY2024	YS	WT
	A2	ADD NEW CONFIGURATION	24JUL2024	LC	LL
	A3	ADD NEW CONFIGURATION ITEM 3	14JAN2025	YS	CY

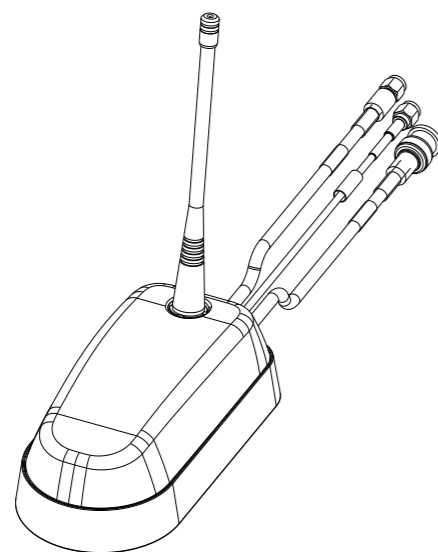
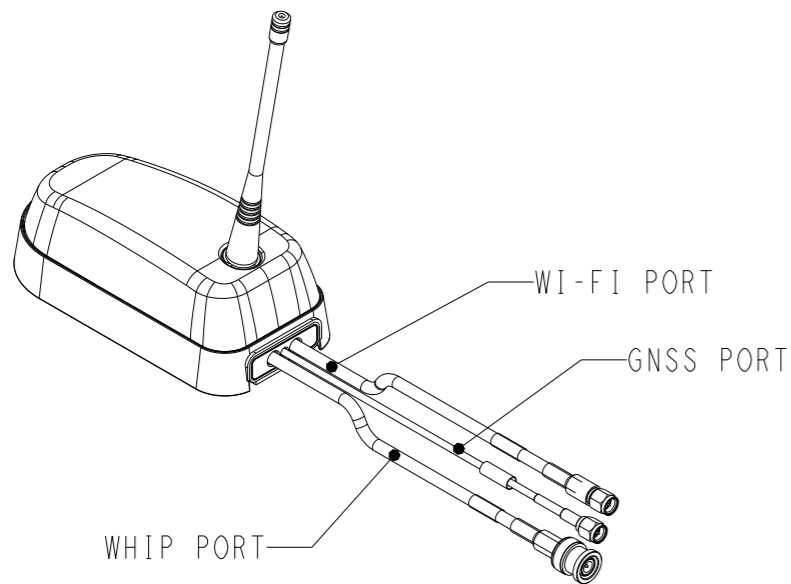
**MECHANICAL SPECIFICATIONS**

Dimensions- L x W x H mm	138.2 x 68.3 x 45.6 mm (Not include Whip)
Weight, kg (lbs)	0.78 (1.72)
Mounting	Magnetic Mount
Cable Type	LMR195-type & RG174 (GNSS)
Cable Outlet Direction	Rear
Color	Black
Radome Material	PC, UL94-V0
Magnetic Pull Strength (lbs)	MIN.40 (Vertical Pull) MIN.40 (Side Pull)

**ENVIRONMENTAL SPECIFICATIONS**

Operating Environment	Outdoor Vehicle
Operating Temperature, °C (°F)	-30 to +70 (-22 to +158)
Storage Temperature, °C (°F)	-40 to +85 (-40 to +185)
Ingress Protection (Main Antenna)	IP67, IP69K
Wind Operational	Simulated 100 mph for 1 minute load
Wind Survival	Simulated 136 mph for 15 second load
Material Substance Compliance	RoHS Compliant

Notes:-  
 (\*) This parameter is measured on 6mm thickness flat Steel Plate,  
 the results is subjected to change according to different mounting surface.



Item	TCPN	No. of Ports	Cable End Connector Type (No. of Ports)				Alias
			Wi-Fi	GNSS	Whip (UHF)	Whip (800MHz)	
1	L000574-02	3	SMA-M (1)	SMA-M (1)	BNC-M (1)	X	VCT24718B1JUM-500AS
2	L000574-05	3	SMA-M (1)	SMC-M (1)	BNC-M (1)	X	VCT24718B1JUM-500AW
3	L000574-08	3	SMA-M (1)	SMC-M (1)	X	BNC-M (1)	VCT24718B1JAM-500AS

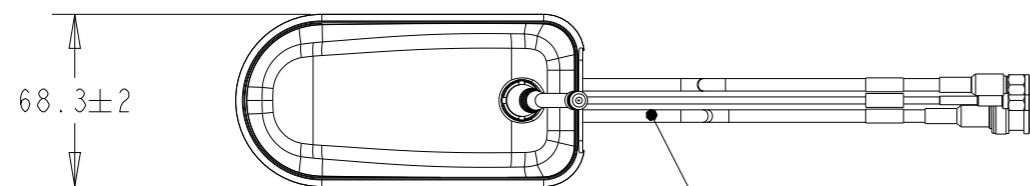
THIS DRAWING IS A CONTROLLED DOCUMENT.

DIMENSIONS:	TOLERANCES UNLESS OTHERWISE SPECIFIED:
mm	
	0 PLC ±0.5
	1 PLC ±0.25
	2 PLC ±0.13
	3 PLC ±-
	4 PLC ±-
	ANGLES ±-
MATERIAL	FINISH
-	-
-	-

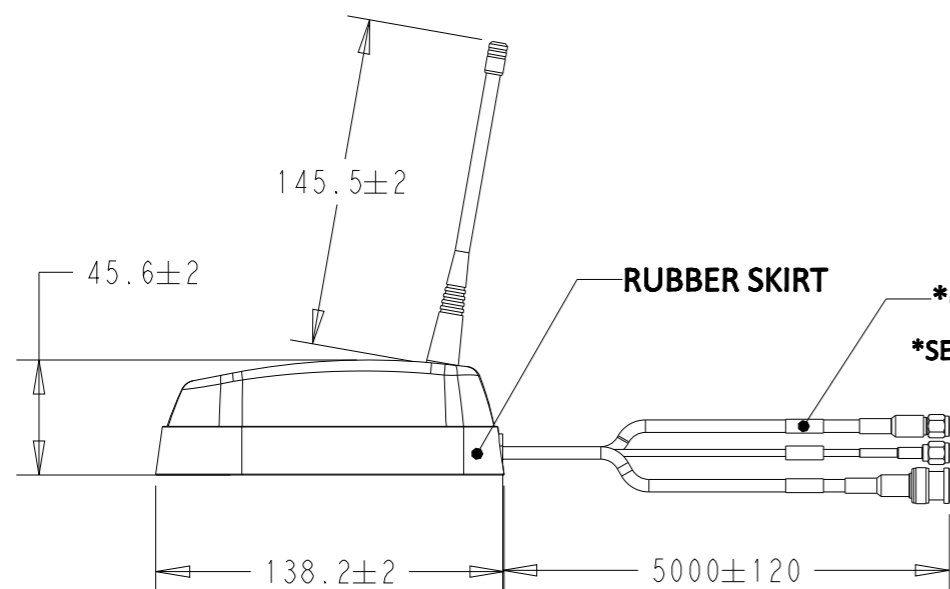
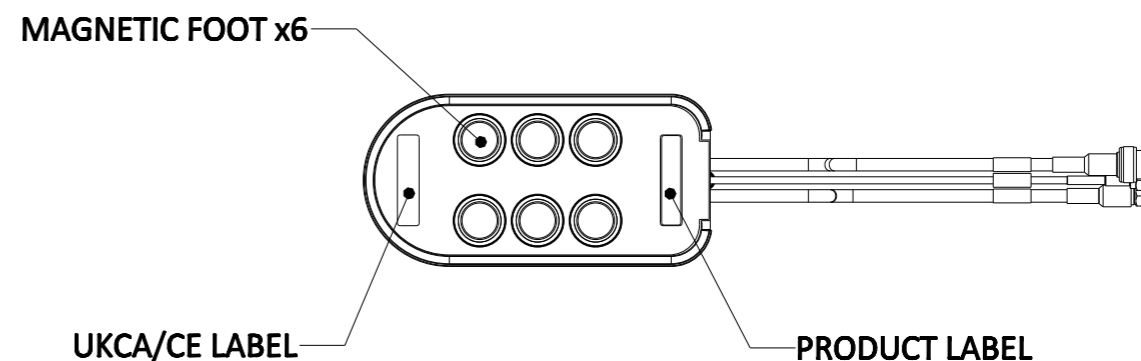
DWN	YS TAN	08SEP2023
CHK	TY NG	08SEP2023
APVD	WT NG	08SEP2023
PRODUCT SPEC	-	-
APPLICATION SPEC	-	-
WEIGHT	-	-
CUSTOMER DRAWING		

		NAME		VEHICLE ANTENNA MAGNET MOUNT	
		SIZE	CAGE CODE	DRAWING NO	RESTRICTED TO
A3		00779	L000574		-
SCALE		1:4	SHEET	1 OF 2	REV
					A3

P	LTR	DESCRIPTION	DATE	DWN	APVD
		SEE SHEET 1			



**ANTENNA PIGTAILS**  
 - 1x WI-FI - 5m LMR195-type (SMA MALE)  
 - 1x WHIP - 5m LMR195-type (BNC MALE)  
 - 1x GNSS - 5m RG174 (SMA MALE)



Item	TCPN	No. of Ports	Cable End Connector Type (No. of Ports)				"L1" LENGTH
			Wi-Fi	GNSS	Whip (UHF)	Whip (800MHz)	
1	L000574-02	3	SMA-M (1)	SMA-M (1)	BNC-M (1)	X	145.5 ± 2
2	L000574-05	3	SMA-M (1)	SMC-M (1)	BNC-M (1)	X	145.5 ± 2
3	L000574-08	3	SMA-M (1)	SMC-M (1)	X	BNC-M (1)	58.5 ± 2

PORTS INDICATION TABLE

	PRINTED "TEXT"	LABEL COLOR
WI-FI PORT	WLAN 1	RED
WHIP PORT	WHIP	GREEN
GNSS PORT	GNSS	WHITE

THIS DRAWING IS A CONTROLLED DOCUMENT.

DIMENSIONS: mm	TOLERANCES UNLESS OTHERWISE SPECIFIED:
	0 PLC ±0.5
	1 PLC ±0.25
	2 PLC ±0.13
	3 PLC ±-
	4 PLC ±-
	ANGLES ±-
MATERIAL	FINISH
-	-
-	-

DWN	YS TAN	08SEP2023
CHK	TY NG	08SEP2023
APVD	WT NG	08SEP2023
PRODUCT SPEC	-	-
APPLICATION SPEC	-	-
WEIGHT	-	-
CUSTOMER DRAWING		

**TE** TE Connectivity

NAME: VEHICLE ANTENNA MAGNET MOUNT

SIZE	CAGE CODE	DRAWING NO	RESTRICTED TO
A3	00779	©-L000574	-

SCALE: 1:4 SHEET: 2 OF 2 REV: A3