

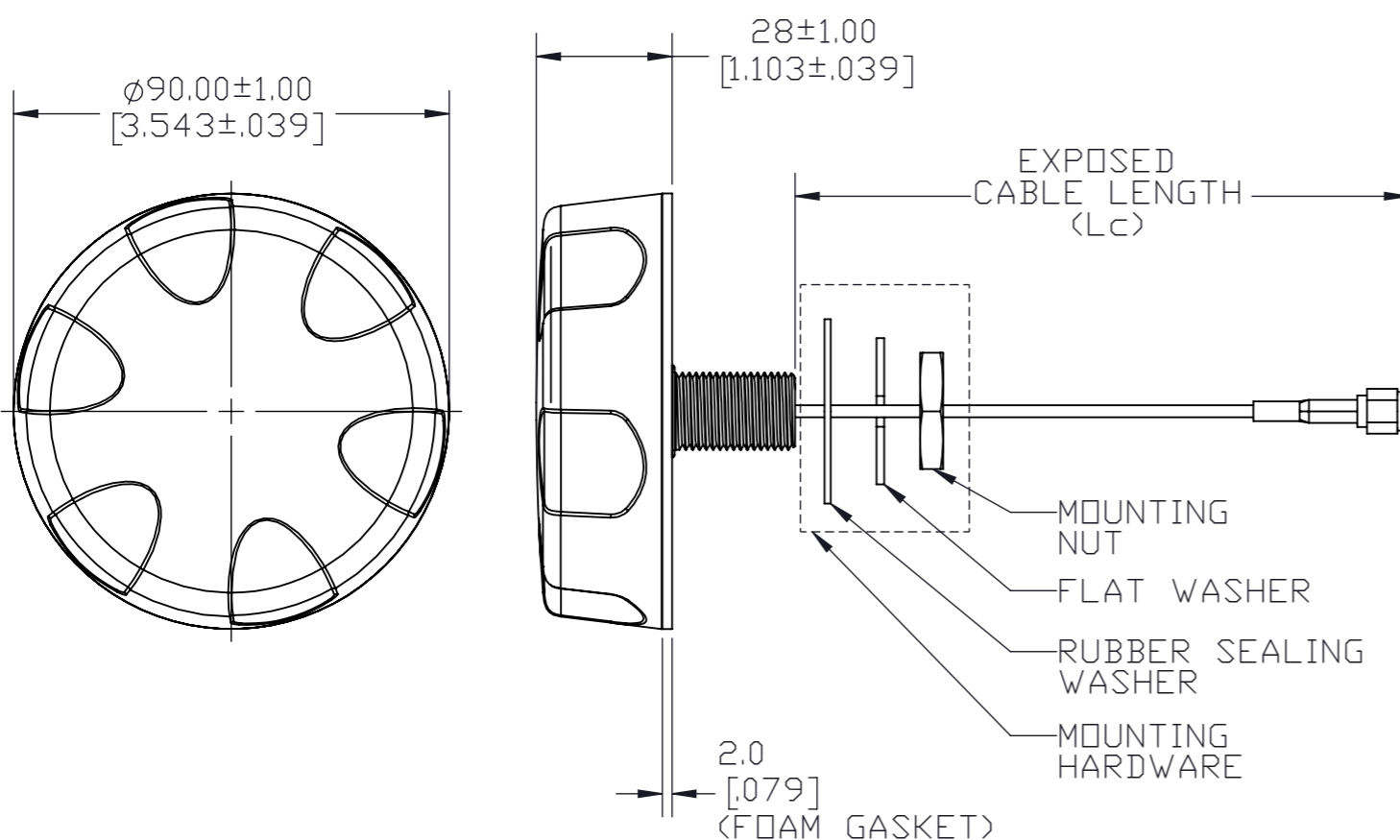
REVISIONS

REV	DESCRIPTION	DATE	DWN	APVD
F01	(ECN-IAS-03731) PRODUCTION RELEASE	27FEB15	WT NG	HANG
A1	CHANGE TO TE DRAWING FORMAT	03MAR25	KS	C.HANG

NOTE:

1. ANTENNA IS GROUND INDEPENDENT BUT ITS ANTENNA PERFORMANCE MAY CHANGE ACCORDING TO CUSTOMER TEST CONDITION.
2. METAL HOUSING AND PLASTIC HOUSING TEST CONDITION ARE REPRESENTED BY 300.00[11.811] DIAMETER ALUMINIUM PLATE AND 255.00[10.039] X 255.00[10.039] X 2.00[.078] PLASTIC BASE RESPECTIVELY.
3. PATENT PENDING.

PARAMETER	PERFORMANCE			
MODEL NUMBER	LPS88213NT-61SMAM			
RF CONNECTOR	SMA MALE CONNECTOR			
CABLE TYPE	RG 316			
CABLE LENGTH, LC	610.00±12.00 [24.000±.470]			
FREQUENCY (MHZ)	880-960	1710-1880	1850-1990	1910-2170
GAIN DBI, TYP				
ON METAL HOUSING	2.2	4.4	3.7	3.7
ON PLASTIC HOUSING	2.3	1.8	2.1	2.9
GAIN DBI, MAX				
ON METAL HOUSING	2.5	5	3.9	3.9
ON PLASTIC HOUSING	3.4	2.1	2.5	3
VSWR	3.0:1 MAX.			
NOMINAL IMPEDANCE	50ΩHMS			
POWER (WATTS)	10W Max.			
AZIMUTH BEAM WIDTH	OMNIDIRECTIONAL			
POLARIZATION	LINEAR VERTICAL			
DIMENSION	26(H)X90(DIA.)mm (EXCLUDES GASKET HEIGHT)			
WEIGHT LBS (KG)	APPROXIMATE 108.5G [0.24LB]			
STORAGE TEMP RANGE (°C)	-40°C TO 85°C			
OPERATOR TEMP RANGE (°C)	-30°C TO 70°C			
OUTDOOR RATED	YES			
IP RATING	IP67			
WIND SURVIVAL	200 km/H [119.9MPH]			
MOUNTING	BULKHEAD			
MOUNTING NUT INSTALLATION TORQUE	5.43~8.14 NM			
RADOME	PC, BLACK			
MATERIAL SUBSTANCE COMPLIANCE	ROHS COMPLIANT			



THIS DRAWING IS A CONTROLLED DOCUMENT.

DWN WT NG 27JAN2015

CHK YJ TEQH 27JAN2015

APVD C.HANG 27JAN2015

PRODUCT SPEC REFER TABLE

APPLICATION SPEC N/A

WEIGHT REFER TABLE

CUSTOMER DRAWING



INFRA M2M,GSM, OMNI SISO SMAM, RG316

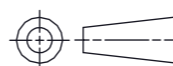
SIZE A3 CAGE CODE 00779 DRAWING NO LPS88213NT-61SMAM RESTRICTED TO

SCALE 2:3 SHEET 1 OF 1 REV A1

DIMENSIONS: mm[INCH]

TOLERANCES UNLESS OTHERWISE SPECIFIED:

- 0 PLC ± 0.5
- 1 PLC ± 0.25
- 2 PLC ± 0.130
- 3 PLC ±
- 4 PLC ±
- ANGLES ± 30'



MATERIAL N/A

FINISH N/A