

REVISIONS					
P	LTR	DESCRIPTION	DATE	DWN	APVD
	A1	REVISE PER ECN-25-329991	01JUL2025	ED	WZ

NOTES:

ALL DIMENSIONS ARE NOMINAL FOR REFERENCE ONLY UNLESS OTHERWISE STATED.

RoHS: COMPLIANT.

SPECIFICATIONS:
IMPEDANCE: 50Ω

FREQUENCY: DC to 3GHz

VSWR: <1.20 @DC-3GHz

CONTACT RESISTANCE:
CENTER: <1.5 milliohms.
OUTER: <0.2 milliohms.

VOLTAGE RATING: 500 V (rms)

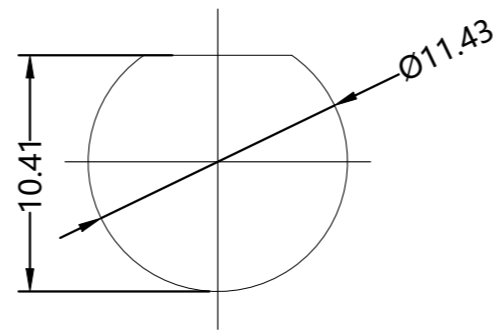
DIELECTRIC WITHSTANDING VOLTAGE: >1500V

INSULATION RESISTANCE: >5000mΩ

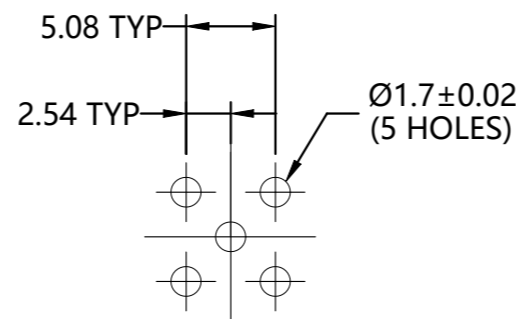
MECHANICAL CHARACTERISTICS
DURABILITY: 500 CYCLES.

ENVIRONMENTAL PARAMETER

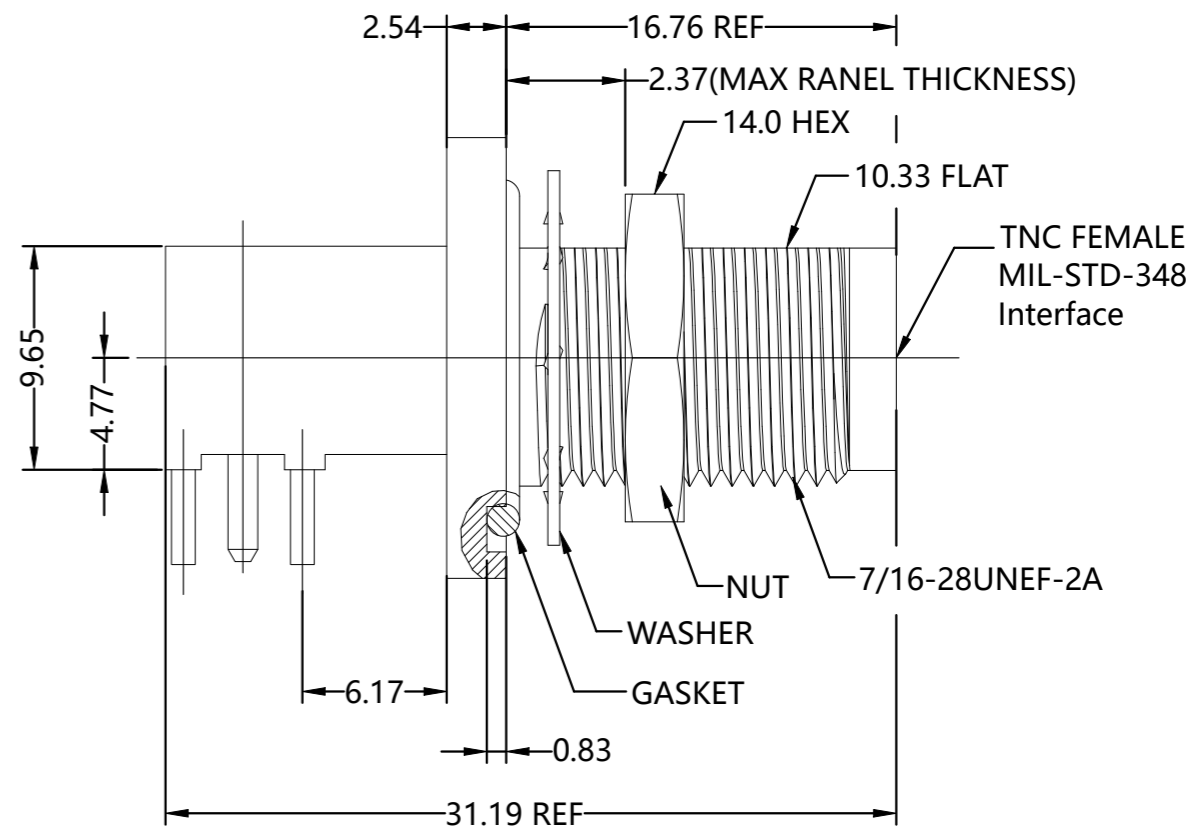
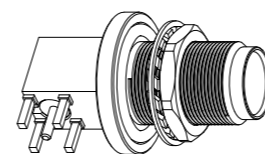
TEMPERATURE RANGE: -40°C TO +165°C
THERMAL SHOCK: MIL-STD 202,METH.107,COND.B
VIBRATION: MIL-STD 202,METH.204,COND.B
SHOCK : MIL-STD 202,METH.213,COND.I
CORROSION : STD 202,METH.101,COND.B
WATERPROOF : IP67 & INTERNALLY SEALED



RECOMMENDED MOUNTING
PANEL DIMENSIONS



RECOMMENDED MOUNTING
HOLE DIMENSIONS



NOTES:
FINISH (PLATING THICKNESS IN MICRO-INCHES)

- 3 MICROINCHES MIN GOLD PLATED.
100 MICROINCHES MIN OVER NICKEL UNDERPLATED
100 MICROINCHES MIN OVER COPPER UNDERPLATED.
- 30 MICROINCHES MIN GOLD PLATED,
50 MICROINCHES MIN OVER NICKEL UNDERPLATED.
100 MICROINCHES MIN OVER COPPER UNDERPLATED.

QTY	DESCRIPTION	MATERIAL	FINISH/PLATING	ITEM
1	NUT	BRASS	NOTE 1	6
1	WASHER	BRASS	NOTE 1	5
1	GASKET	SILICONE	RED	4
1	CONTACT PIN	BeCu	NOTE 2	3
1	INSULATOR	PTFE MIL-P-19468	NATURAL	2
1	BODY	BRASS	NOTE 1	1
2503832-1	FINISH/PLATING	MATERIAL	DESCRIPTION	ITEM

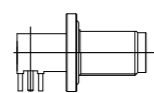
THIS DRAWING IS A CONTROLLED DOCUMENT.		DWN TP	26FEB2025	TE Connectivity Ltd.	
		CHK TP	26FEB2025		
		APVD WK	26FEB2025		
		PRODUCT SPEC	---		
DIMENSIONS: mm		TOLERANCES UNLESS OTHERWISE SPECIFIED:		NAME	
		0 PLC	± 0.3	TNC JACK RA BULKHEAD IP67 PCB 50 OHM	
		1 PLC	± 0.2	---	
		2 PLC	± 0.1	---	
		3 PLC	± 0.05	---	
		4 PLC	± -	---	
		ANGLES	± 5	---	
MATERIAL		FINISH		SIZE	CAGE CODE
SEE TABLE		-		19.32 G	A3 00779
				DRAWING NO	RESTRICTED TO
				C-2503832	---
		CUSTOMER DRAWING		SCALE	SHEET
				1:1	1 OF 2
				REV	A1

REVISIONS

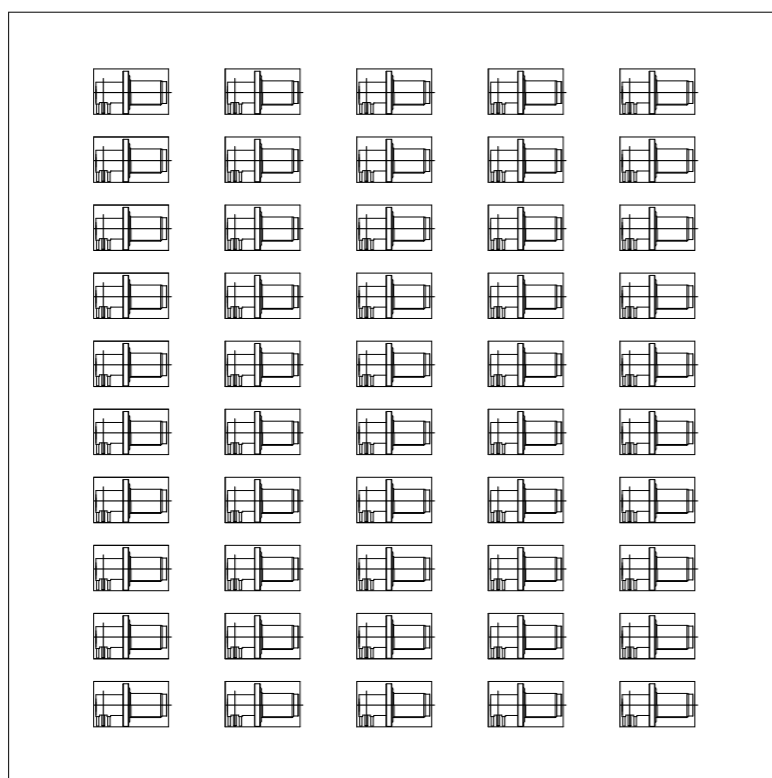
P	LTR	DESCRIPTION	DATE	DWN	APVD
-	-	SEE SHEET 1	-	-	-

NOTES :

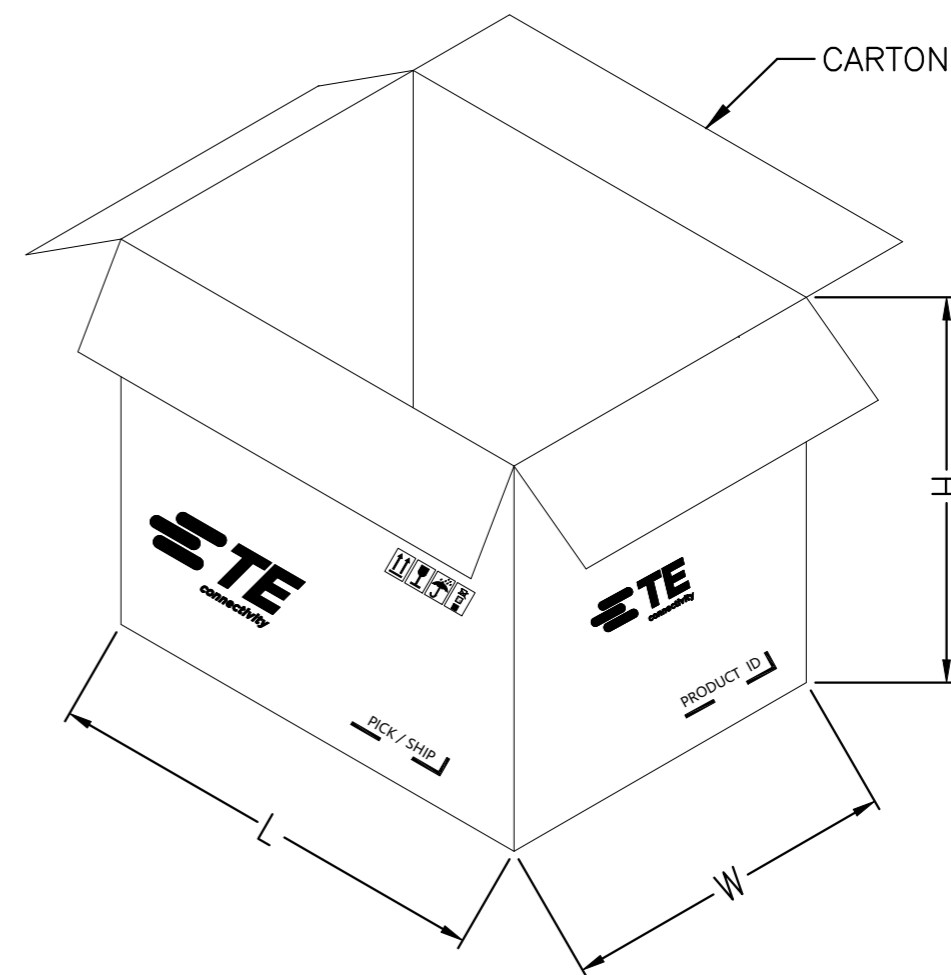
1. DIMENSION:
CARTON: L=350, W=350, H=130
2. QUANTITY:
 - 2.1 PRIMARY PACKING: 50 PCS/DISH(50PCS)
 - 2.2 OUTER PACKING: 5 DISH/CARTON(250PCS)



↓ 50 PCS



5 dish
→



THIS DRAWING IS A CONTROLLED DOCUMENT.		DWN TP	26FEB2025	STE TE Connectivity Ltd.	
		CHK TP	26FEB2025		
DIMENSIONS: mm		TOLERANCES UNLESS OTHERWISE SPECIFIED:		NAME TNC JACK RA BULKHEAD IP67 PCB 50 OHM	
		0 PLC	± 0.3	PRODUCT SPEC	
		1 PLC	± 0.2	-	
		2 PLC	± 0.1	APPLICATION SPEC	
		3 PLC	± 0.05	-	
MATERIAL SEE TABLE		4 PLC	± -	SIZE	CAGE CODE
		ANGLES	± 5	DRAWING NO	
		FINISH	-	A3 00779 C-2503832	
				RESTRICTED TO	
				-	
				CUSTOMER DRAWING	
				SCALE	SHEET
				1:1	2 OF 2
				REV	A1