

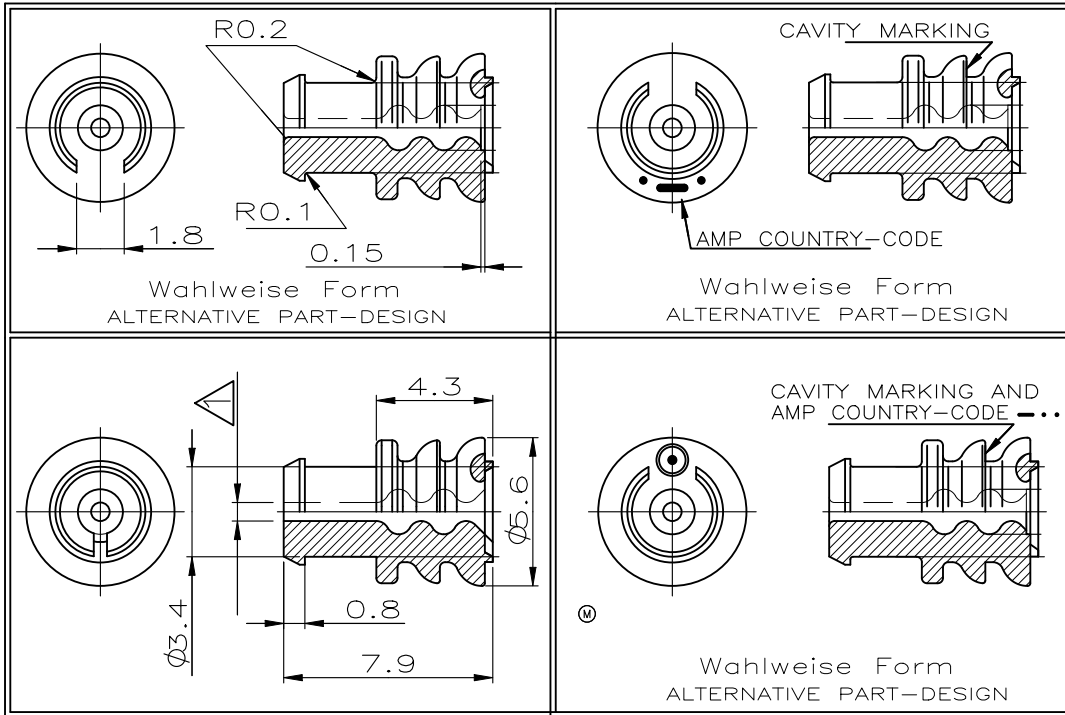
NUMMER	828904
VERWENDET FÜR	
WAR NR.	87-9398-50

ÄNDERUNGEN, DIE DEM
TECHNISCHEN FORT-
SCHRITT DIENEN, BE-
HALTEN WIR UNS VOR

REVISIONS

P	LTR	DESCRIPTION	DATE	DWN	APVD
	M3	(-1) Pack qty. changed. (-2)&(-3) obsoleted.	13MAY2025	BV	GB

M1:1



- △ 4 Note has been deleted.
- △ 3 Note has been deleted.
- △ 2 PACKAGING IN PLASTIC BAG: QTY 10 000 PIECES
- △ 1 Für Isolationsø 1.2-2.1 mm

TE Connectivity. All Rights Reserved.

828904-3	△ 4	M	SILICON SHORE A 50 ⁺ lubriziert	hellblau
828904-2	△ 3	M		
828904-1	△ 2	M		
⊙ BESTELL-NR.	REV	WERKSTOFF	OBERFLÄCHE	FARBE

CAD-ORIGINAL
ZEICHNUNG NICHT ÄNDERN

ZEICHNUNG GÜLTIG AB

DIMENSIONS: mm	DWN	H.Bouda	16 MAY 88	MATERIAL	-	FINISH	-	
	CHK	W. PFEFFER	17 MAY 88	TE Connectivity				
TOLERANCES UNLESS OTHERWISE SPECIFIED:	APVD	-	-					NAME Einzeldichtung (DIA 5.6)
	PRODUCT SPEC	-	-					
0 PLC ± -	APPLICATION SPEC	-	-	SIZE	A4	CAGE CODE	00779	
1 PLC ± 0.3	WEIGHT	0,000000	A4	DRAWING NO	C-828904		RESTRICTED TO	-
2 PLC ± -	CUSTOMER DRAWING			SCALE	5:1	SHEET	1 of 1	
3 PLC ± -				REV	M3			
4 PLC ± -								
ANGLES ± -								