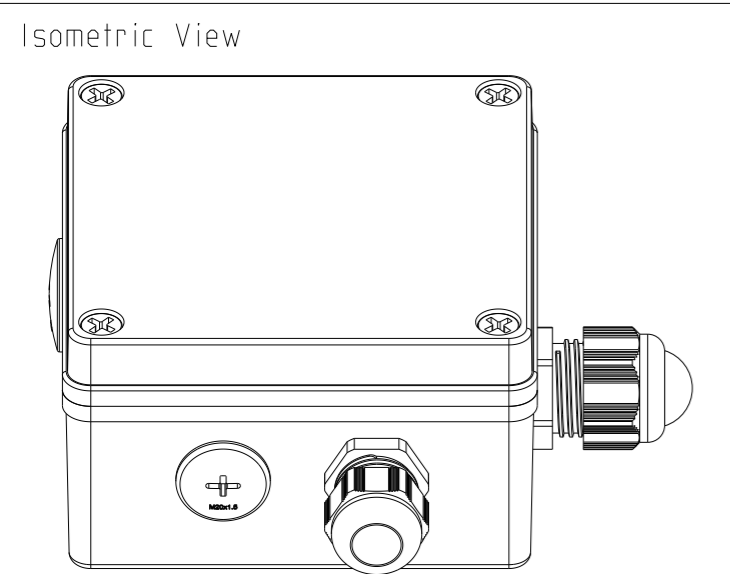
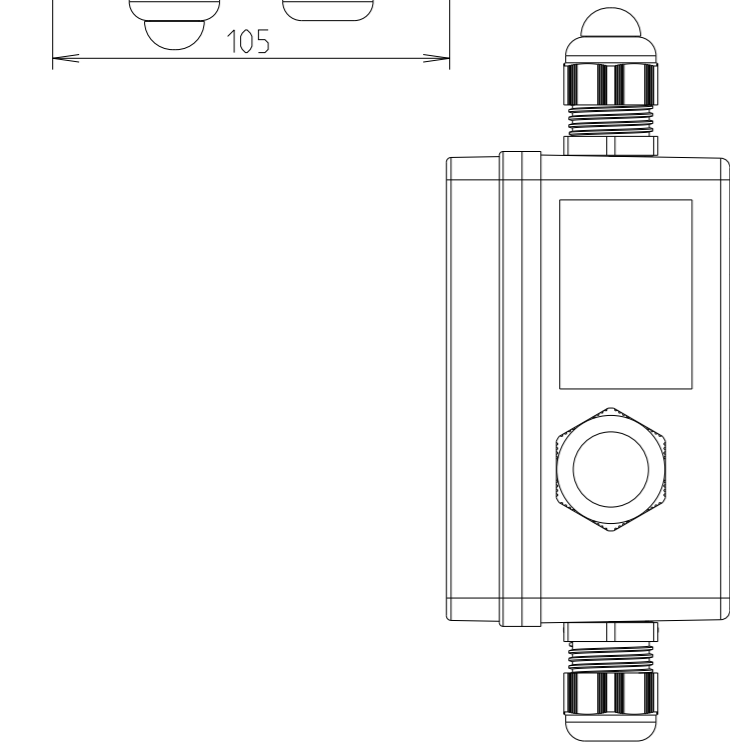
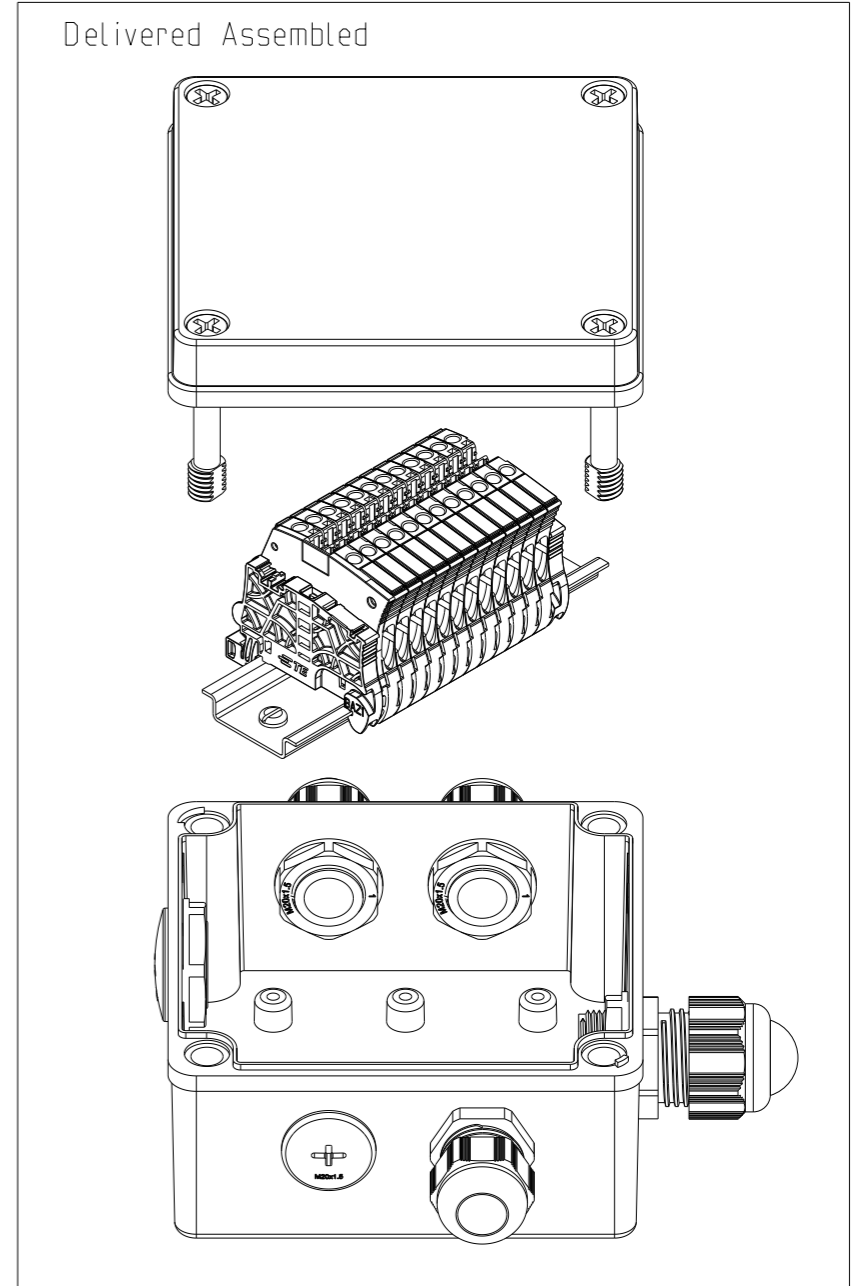
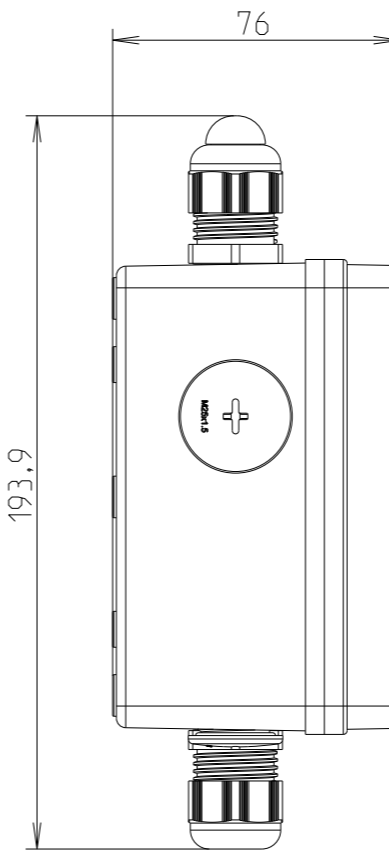
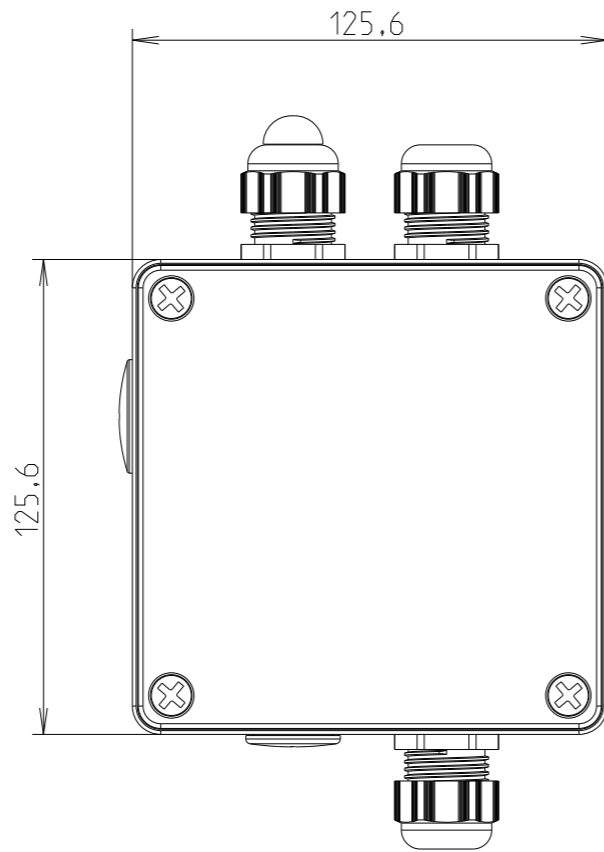
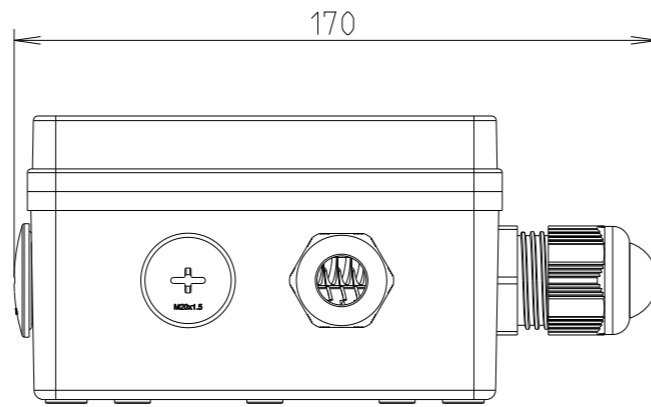
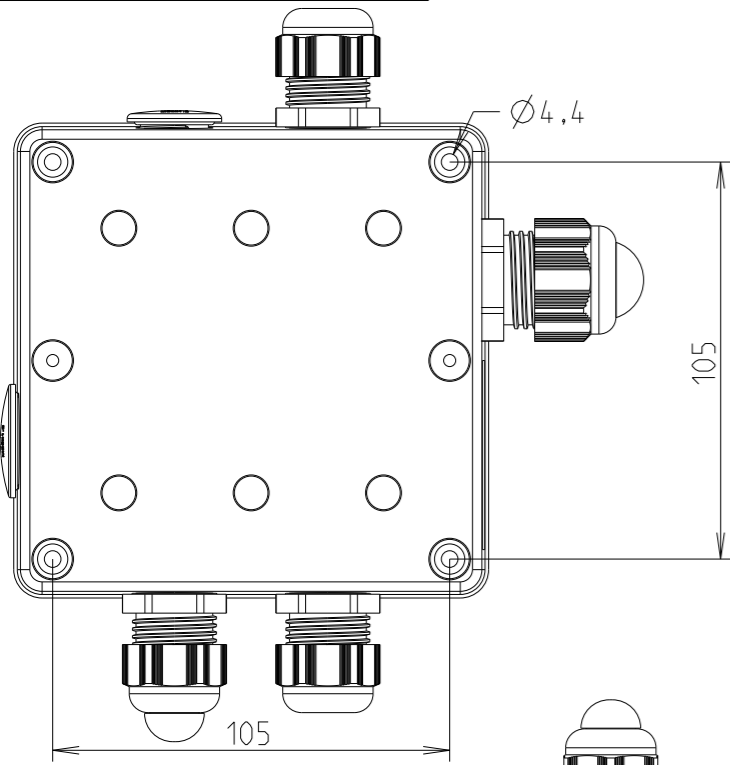

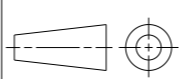


P	LTR	DESCRIPTION	DATE	DWN	APVD
A		Initial release	03SEP2024	AV	WL
B		Design Update	12FEB2025	WL	AV



THIS DRAWING IS A CONTROLLED DOCUMENT.		DWN	2023-10-11		 TE Connectivity	
		CHK	Virlovet, Annie			
DIMENSIONS:		APVD	NAME			
mm		PRODUCT SPEC	JBOX 12PNT SCREW			
		APPLICATION SPEC	1SNS470000Z0209			
TOLERANCES UNLESS OTHERWISE SPECIFIED:		WEIGHT	SIZE	CAGE CODE	DRAWING NO	RESTRICTED TO
0 PLC	±	531.476	A3	00779	©-1SNP300513-0100	-
1 PLC	±0.1					
2 PLC	±0.01					
3 PLC	±0.005					
4 PLC	±0.0001					
ANGLES	±					
MATERIAL	FINISH	CUSTOMER DRAWING	SCALE	SHEET	REV	
-	-		1:2	1 OF 1	B	