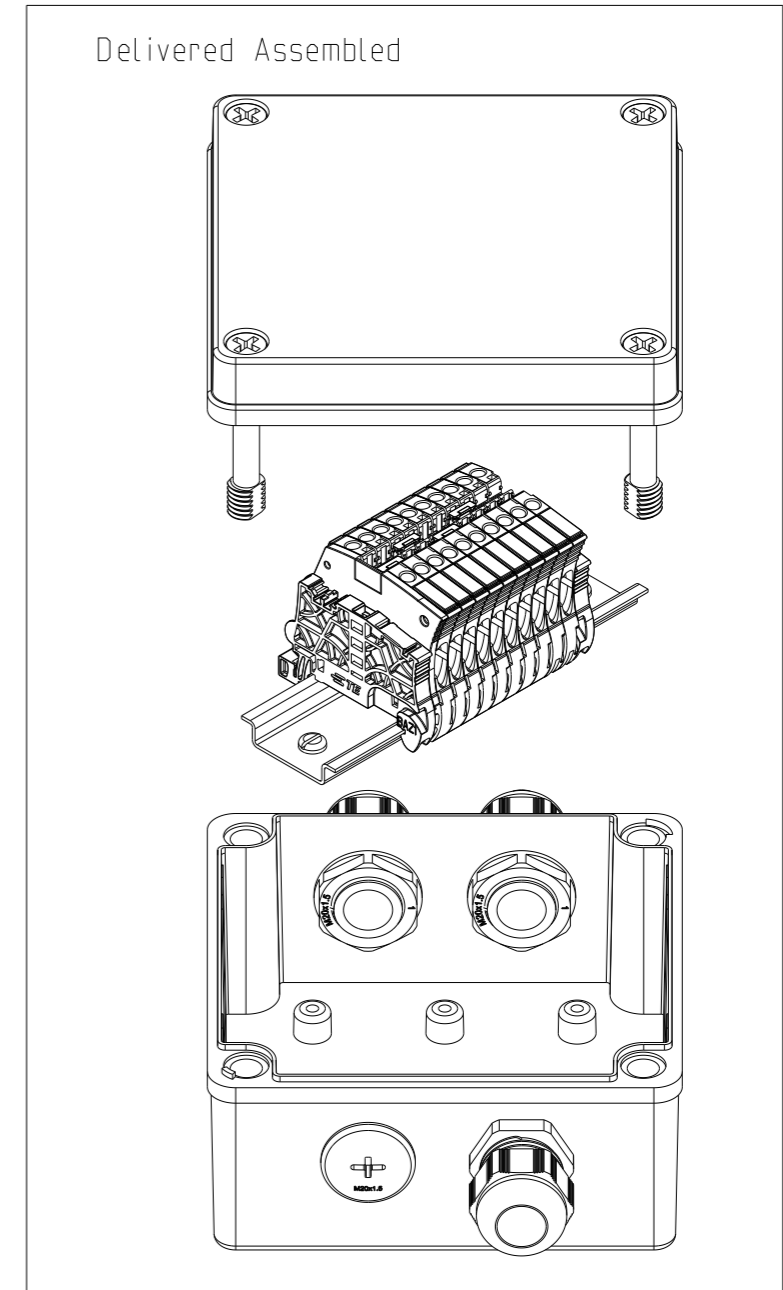
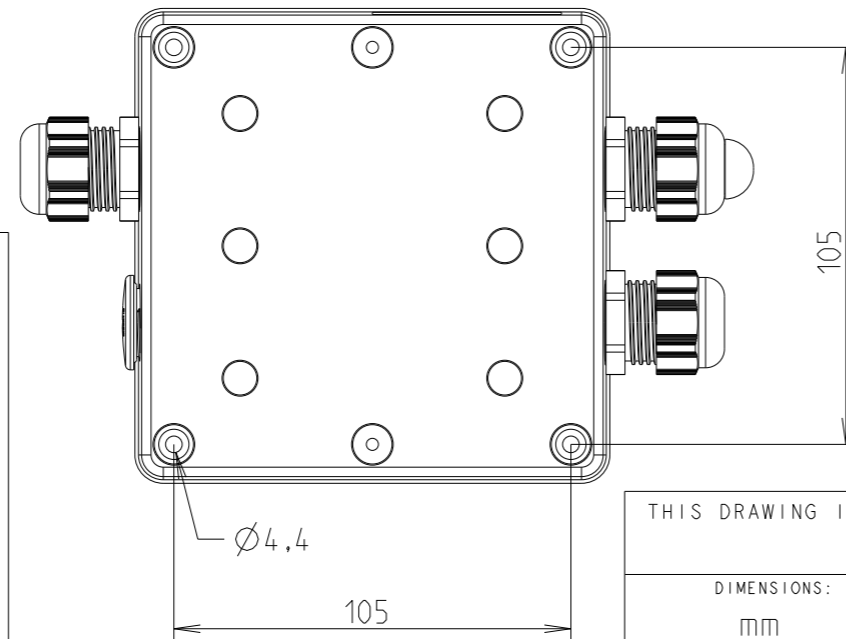
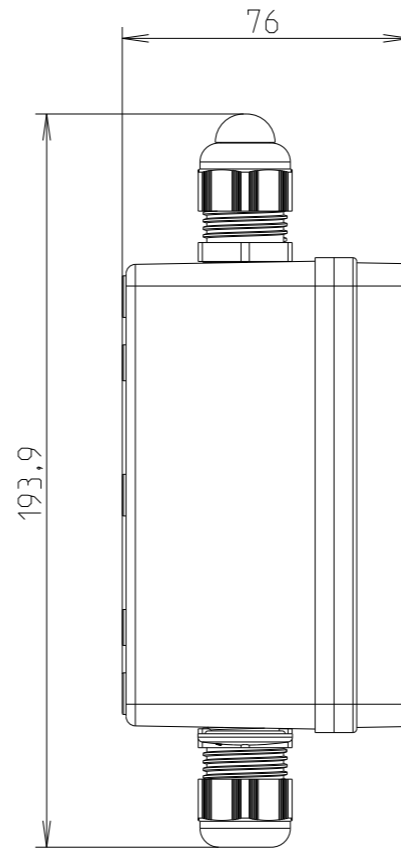
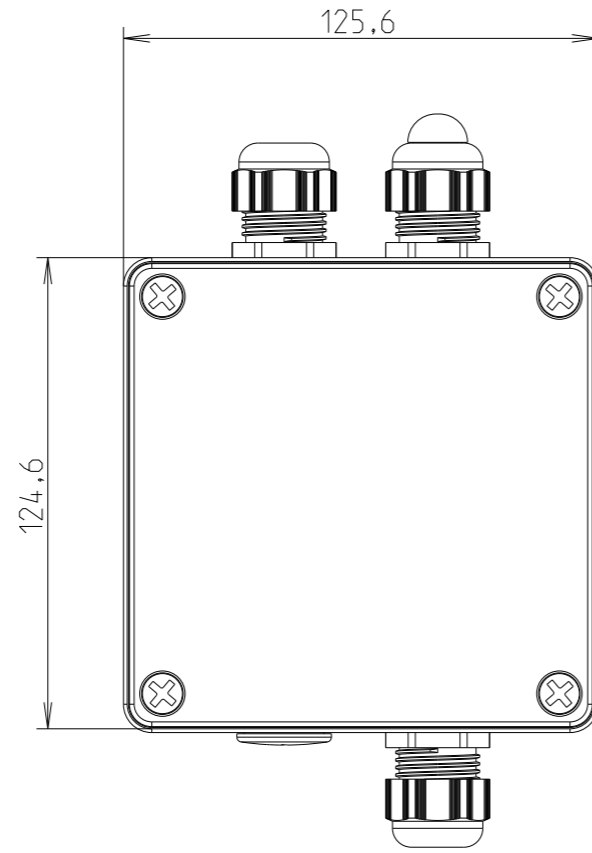
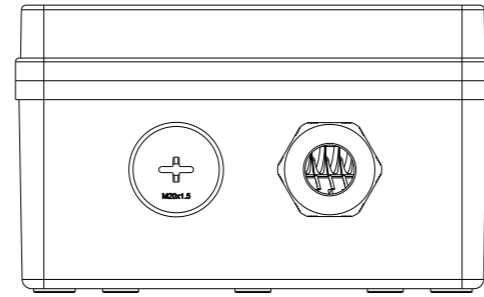
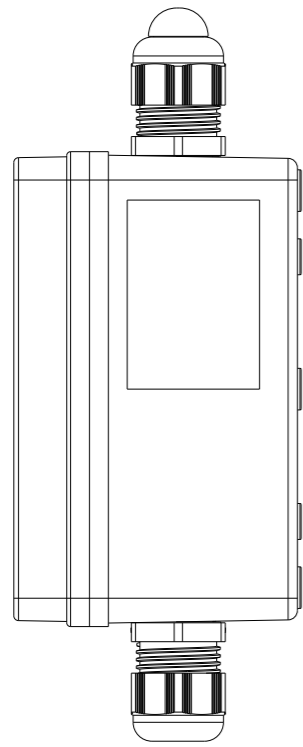
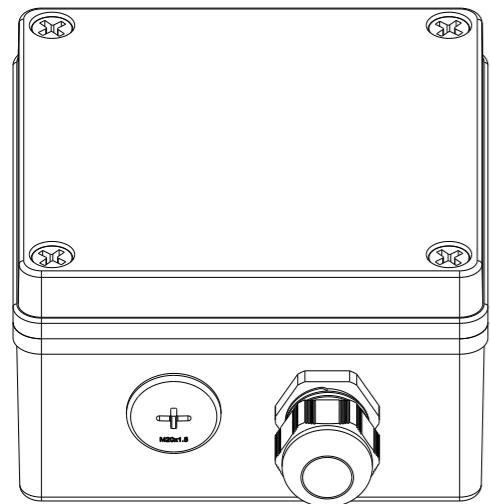


P	LTR	DESCRIPTION	DATE	DWN	APVD
	A	Initial release	03SEP2024	AV	WL
	B	Drawing update	11FEB2025	WL	AV



Isometric View



THIS DRAWING IS A CONTROLLED DOCUMENT.

DIMENSIONS:		TOLERANCES UNLESS OTHERWISE SPECIFIED:	
mm			
	0 PLC	±	
	1 PLC	±0.1	
	2 PLC	±0.01	
	3 PLC	±0.005	
	4 PLC	±0.0001	
	ANGLES	±	
MATERIAL		FINISH	

DWN	2023-10-11
CHK	Virlovet, Annie
APVD	
PRODUCT SPEC	-
APPLICATION SPEC	-
WEIGHT	498.633
CUSTOMER DRAWING	



NAME  
JBOX MOTOR SCREW  
1SNS470000Z0211

SIZE	CAGE CODE	DRAWING NO	RESTRICTED TO
A3	00779	©-1SNP300514-0100	-
SCALE		SHEET	REV
1:2		1 OF 1	B