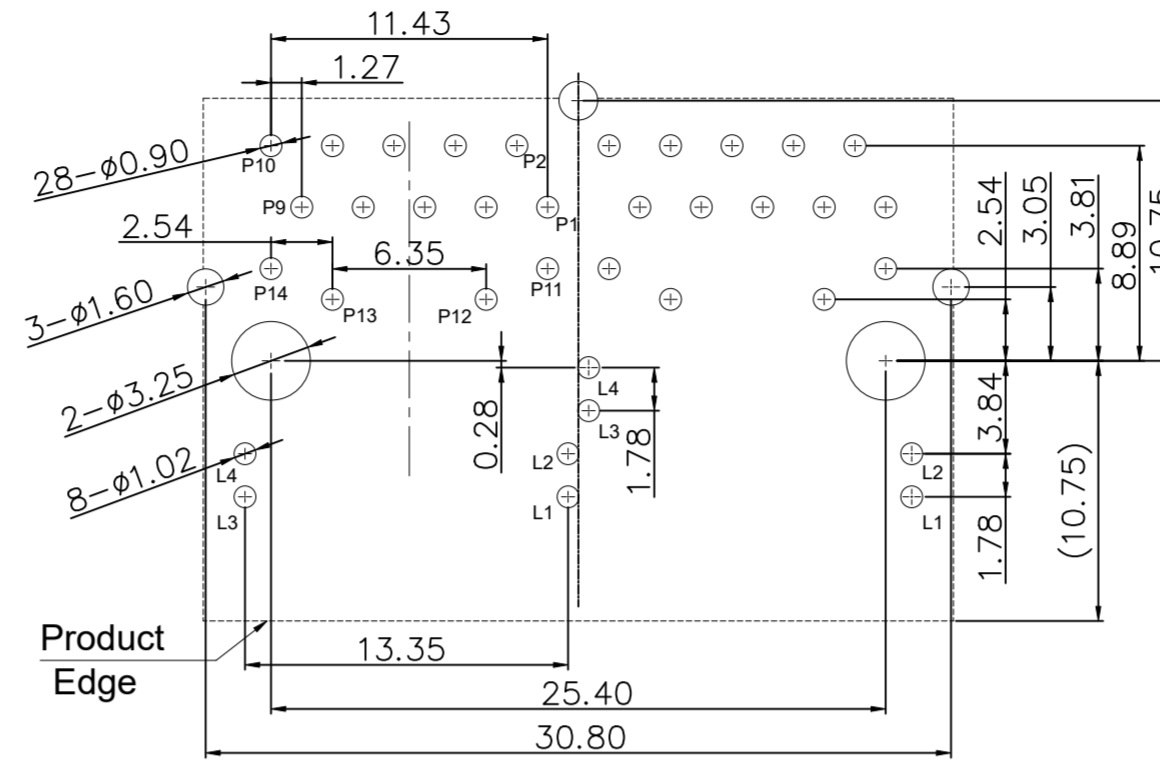
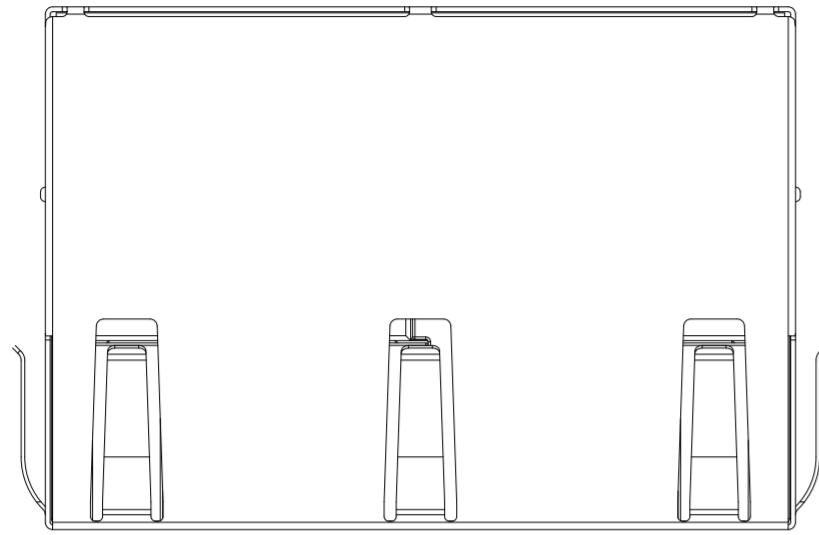


REVISIONS					
P	LTR	DESCRIPTION	DATE	DWN	APVD
1		PRELIMINARY	03APR2025	TR	RK



Recommended PCB Layout
Top View(T=1.60mm, Tol:±0.05)

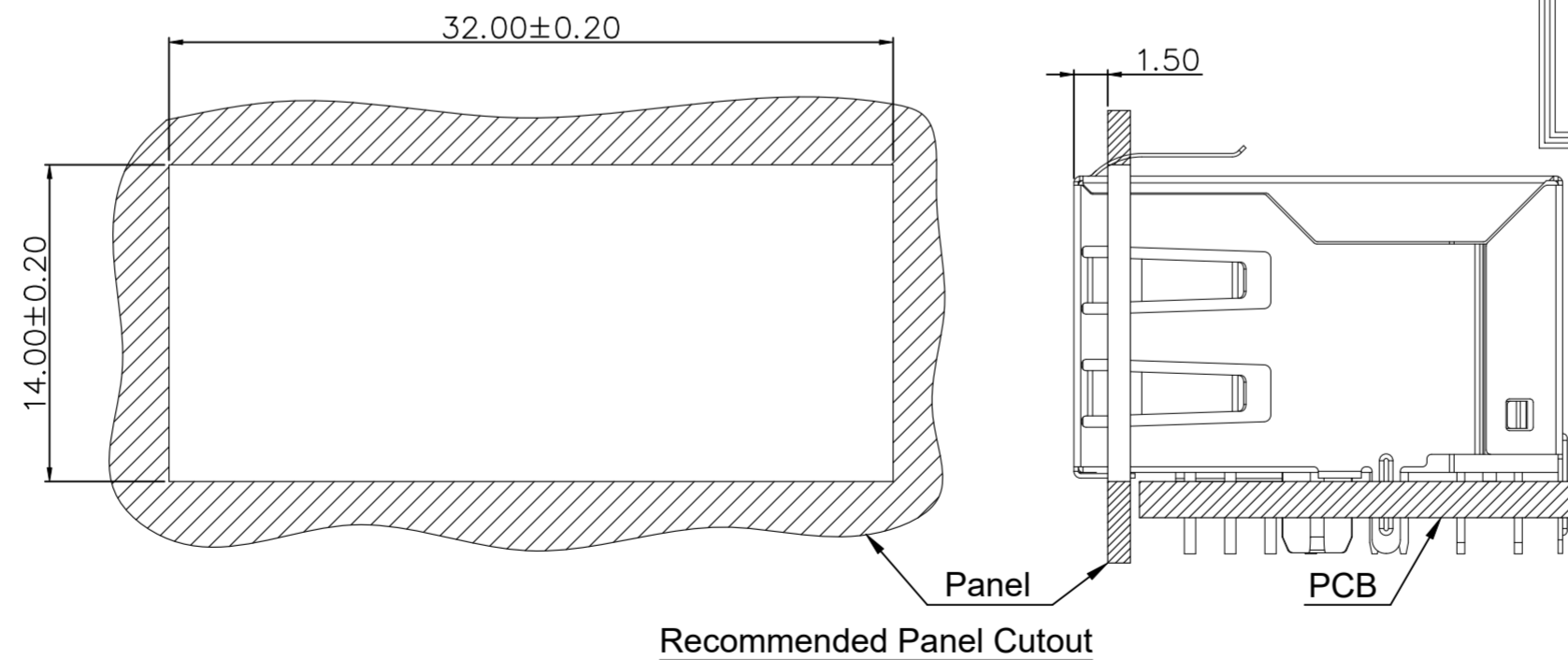
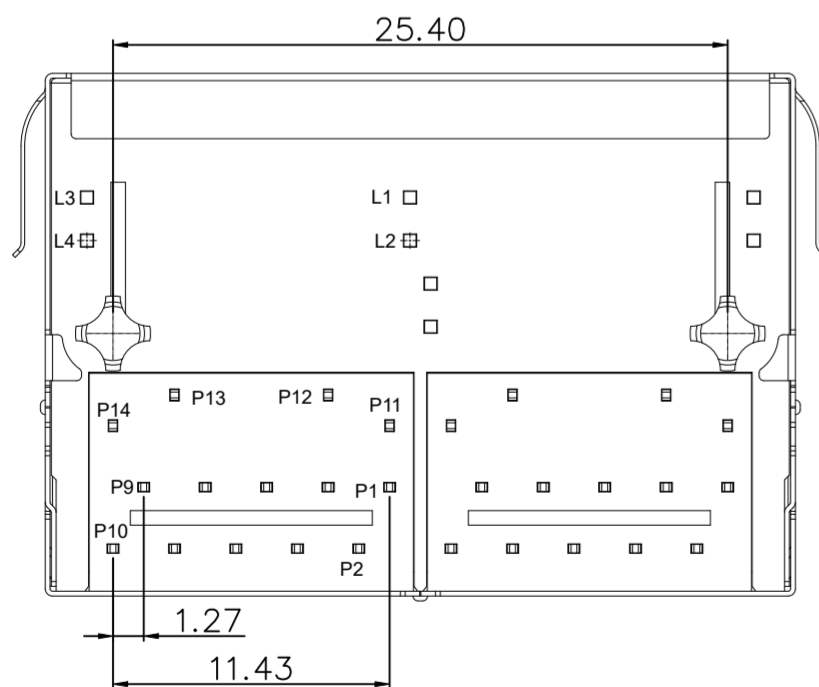
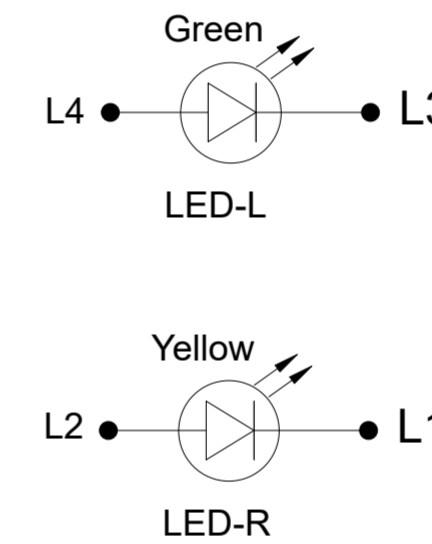
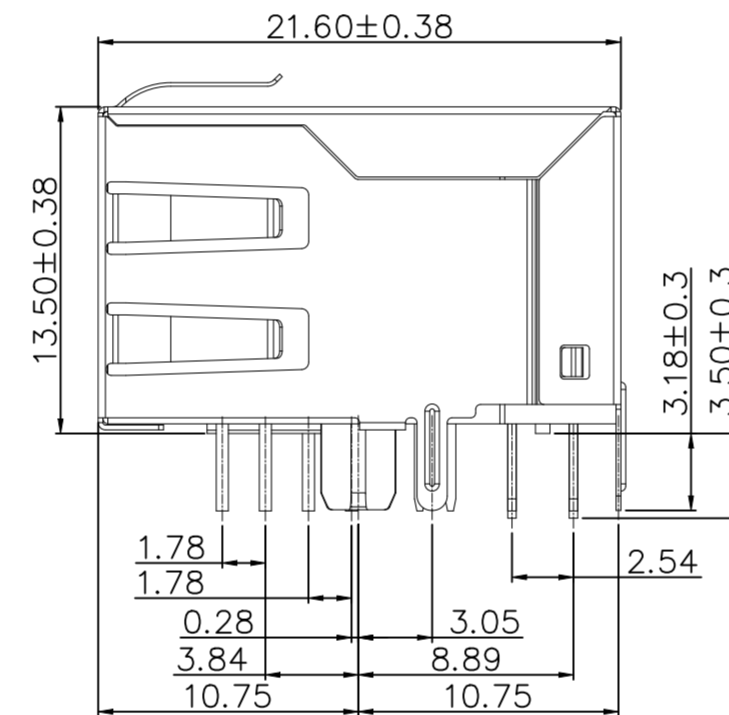
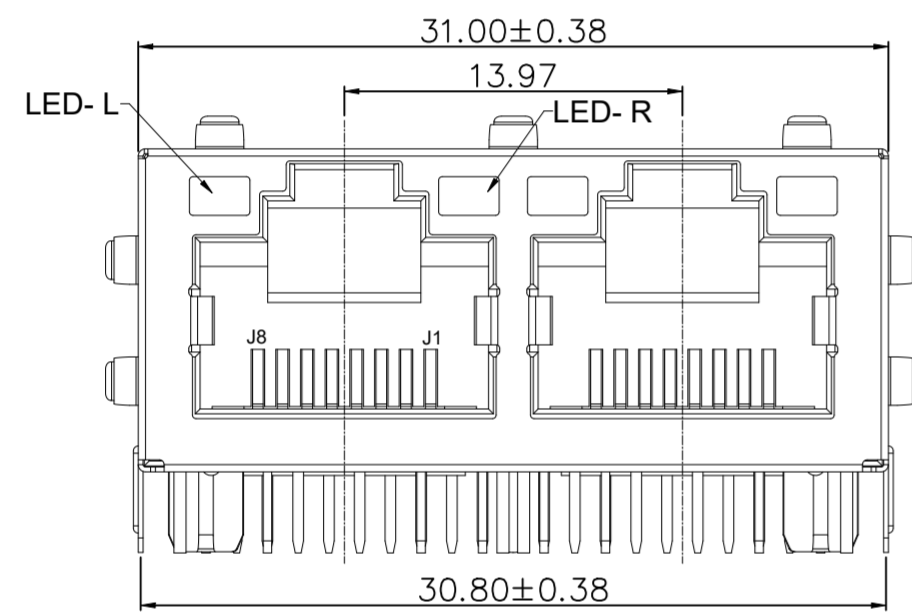
NOTE:

1. MATERIAL:

- 1.1 HOUSING: HIGH TEMPERATURE UL94V-0 BLACK
- 1.2 INSULATOR: HIGH TEMPERATURE UL94V-0 BLACK
- 1.3 CONTACT: PHOSPHOR BRONZE
- 1.4 SHELL: COPPER ALLOY

2. FINISH:

- 2.1 TERMINAL: CONTACT AREA PLATING GOLD 6u"
- 2.2 SHELL: PLATING Ni OVERALL



PRELIMINARY

2497290-1
PART NUMBER

THIS DRAWING IS A CONTROLLED DOCUMENT.		DWN TARUN, R 28FEB2025	TE Connectivity Ltd.	
DIMENSIONS: mm [INCHES]		CHK RAMESH, KIVADER 28FEB2025	PRELIMINARY	
TOLERANCES UNLESS OTHERWISE SPECIFIED:		APVD RAGHAVAN, CG 28FEB2025		
0 PLC ± -		NAME	RJ45 TAB UP 1x2 TYPE	
1 PLC ± 0.38		PRODUCT SPEC	2.5G+POE W/ LED&SHELL	
2 PLC ± 0.25		108-161860		
3 PLC ± 0.13		APPLICATION SPEC		
4 PLC ± -		114-161364		
ANGLES ± 2.5°		SIZE	CAGE CODE	DRAWING NO
MATERIAL		WEIGHT	A2 00779	C=2497290
FINISH		CUSTOMER DRAWING	SCALE	SHEET
			1:1	1 of 2
			REV	1

4

3

2

1

© 2025 TE Connectivity. All Rights Reserved.

REVISIONS

P	LTR	DESCRIPTION	DATE	DWN	APVD
-	-	SEE SHEET 1	-	-	-

SCHEMATICS

PHY SIDE

CABLE SIDE

TD1+ P1

TD1- P2

TD2+ P3

TD2- P6

CT P4

CTP5

TD3+ P7

TD3- P8

TD4+ P9

TD4- P10

VC1 P11

VC2 P12

VC3 P13

VC4 P14

J1 TX1+

J2 TX1-

J3 TX2+

J6 TX2-

J4 TX3+

J5 TX3-

J7 TX4+

J8 TX4-

1CT:1

1CT:1

1CT:1

1CT:1

(4X)22nF/100V

(4X)75Ω

1000PF 2KV

GND

SHIELD

SPECIFICATIONS:

- 1.2.5G BASE-T Ethernet Application;
- 2.Meets IEEE 802.3 & ANSI X 3.263 Standards;
- 3.EU Rohs/ELV and GP Compliant,
- 4.Reflow Soldering Temperature:260°C±5°C 10s Max;
- 5.Operation Temperature: -40°C to +85°C;
Storage Temperature: -40°C to +85°C;
- 6.Contact Resistance: 30mΩ Max.;
- 7.Insertion Force With The Latch Depressed: 30N Max. ;
Removal Force With The Latch Depressed: 30N Max. ;
Durability: 750 Cycles;
- 8.Transmitter Filter & Receiver Filter:
Insertion Loss:1~50MHz -0.5dB Max. ;
50~125MHz -1.0dB Max. ;
Return Loss: 1~40MHz -20dB Min. ;
40~200MHz -20+15*log(Freq MHz/40MHz)dB Min. ;
- 9.Comm Mode Rejection: @1~200 MHz -30dB Min.;
- 10.Cross Talk: 1~125 MHz -30dB Min. ;
125~200 MHz -25dB Min. ;
- 11.Inductance: @100 KHz, 0.1V, 8mA DC BIAS, 180uH Min.;
- 12.HiPot Test: Input To Output: 1500Vrms Min;
- 13.DC current/Voltage rating-PSE pins: 600mA Max@57VDC(Continuous)

PRELIMINARY

THIS DRAWING IS A CONTROLLED DOCUMENT.		DWN	TARUN, R	28FEB2025	 TE Connectivity Ltd.
DIMENSIONS:		CHK	RAMESH, KIVADER	28FEB2025	
mm [INCHES]		APVD	RAGHAVAN, CG	28FEB2025	
TOLERANCES UNLESS OTHERWISE SPECIFIED:		NAME	RJ45 TAB UP 1x2 TYPE 2.5G+POE W/ LED&SHELL		
0 PLC	± -	PRODUCT SPEC	108-161860		
1 PLC	± 0.38	APPLICATION SPEC	114-161364		
2 PLC	± 0.25	SIZE	A2	CAGE CODE	00779
3 PLC	± 0.13	WEIGHT	-	DRAWING NO	C=2497290
4 PLC	± -	MATERIAL	-	RESTRICTED TO	-
ANGLES	± 2.5°	FINISH	-	SCALE	1:1
CUSTOMER DRAWING		SHEET		2	OF 2
		REV		1	

1471-9 (1/15)

2497290

B

A