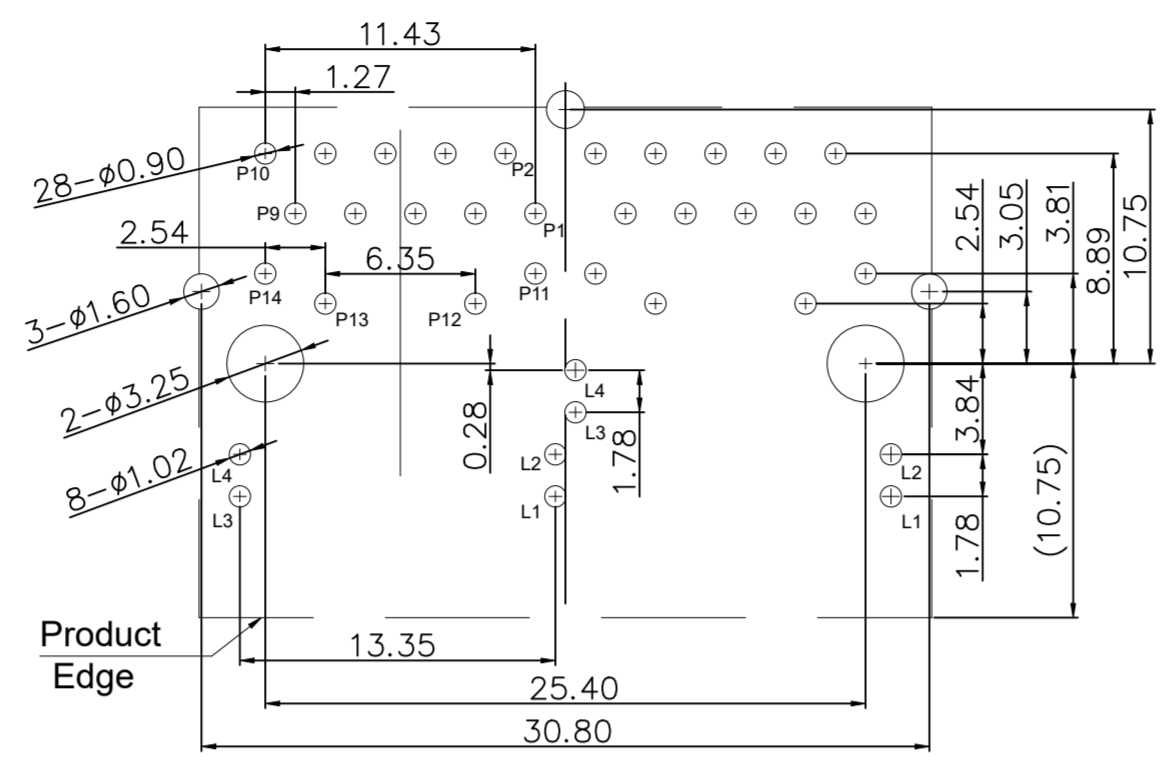
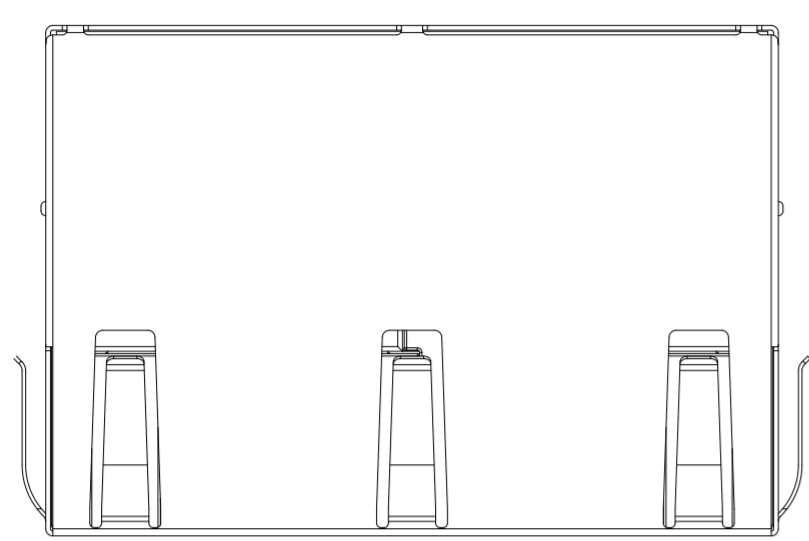


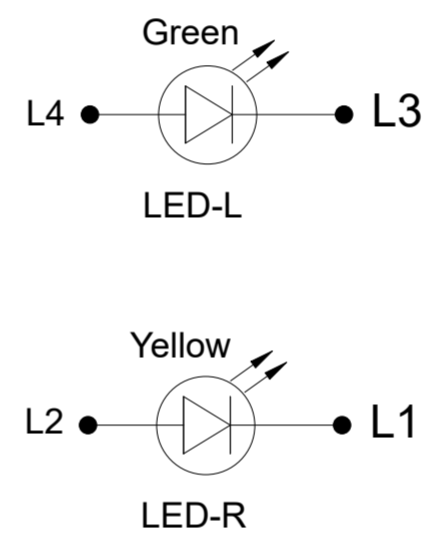
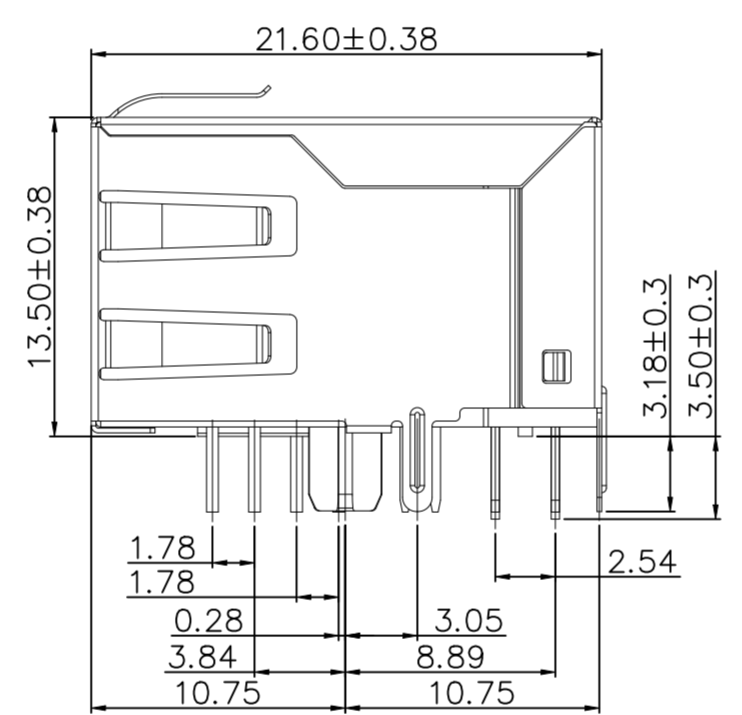
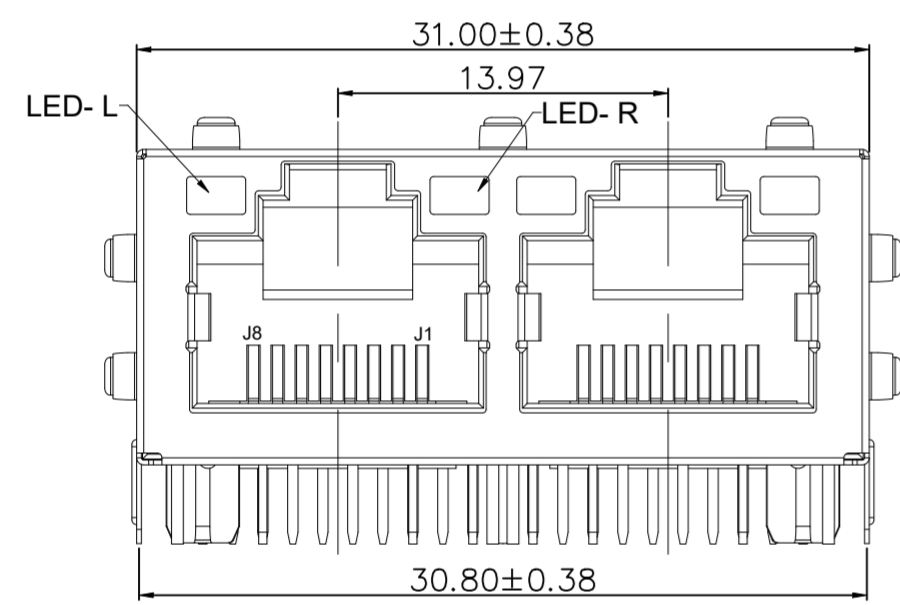
REVISIONS					
P	LTR	DESCRIPTION	DATE	DWN	APVD
1		PRELIMINARY	06MAR2025	TR	RCC



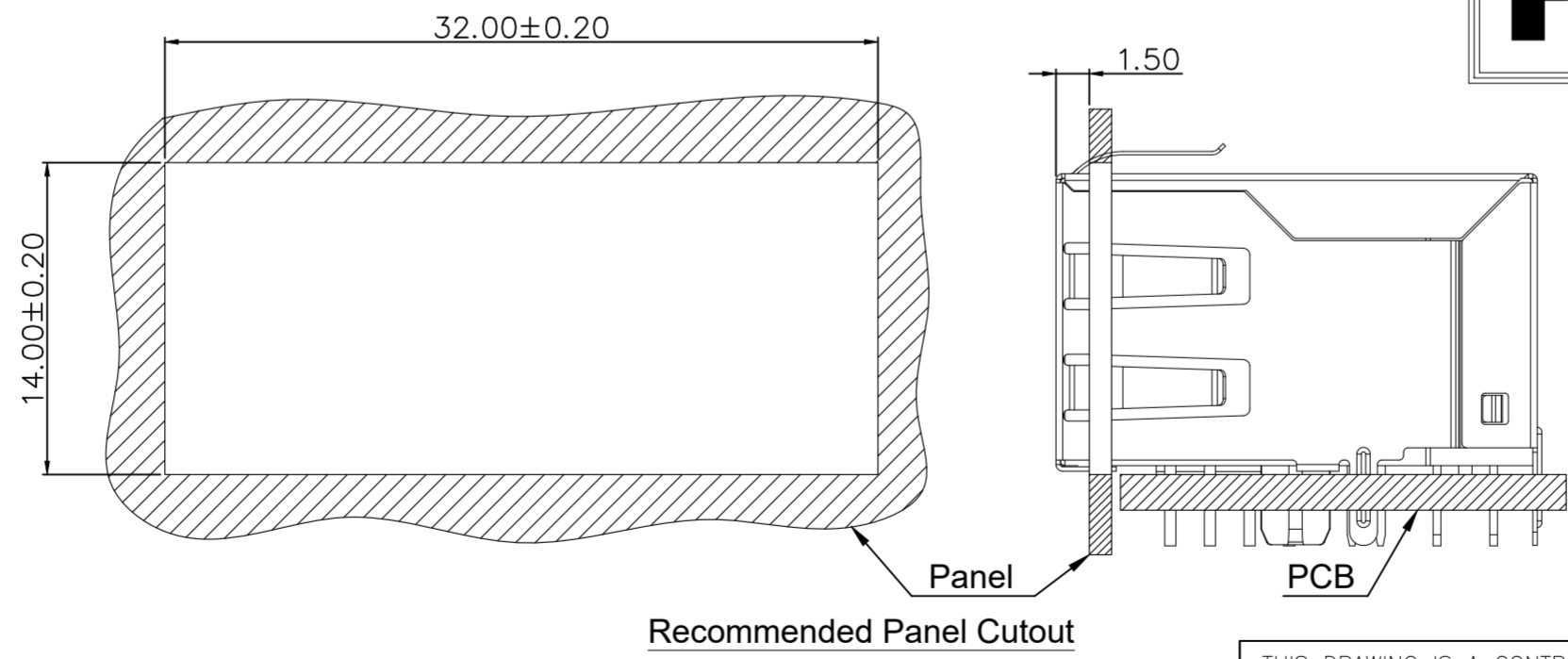
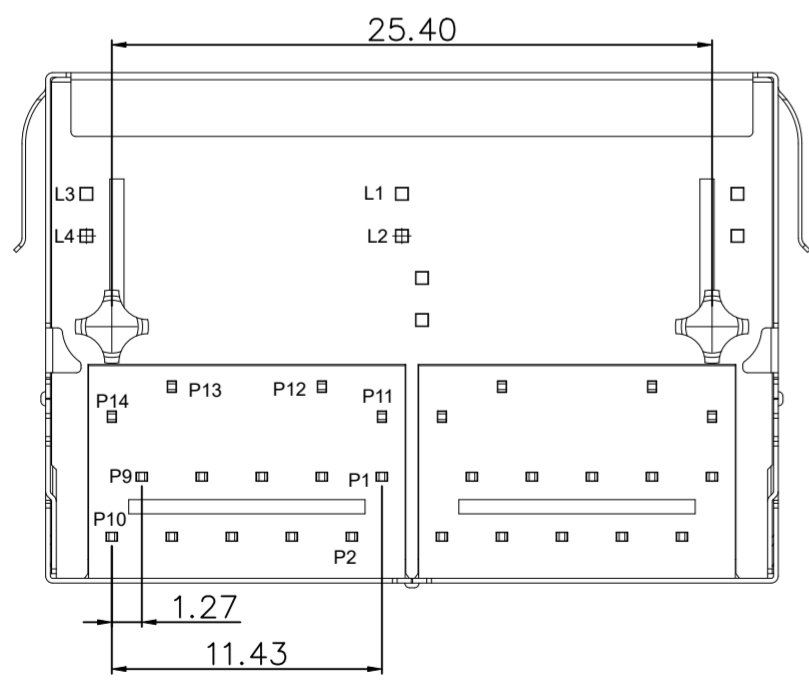
Recommended PCB Layout  
Top View(T=1.60mm, Tol:±0.05)

**NOTE:**

1. MATERIAL:
  - 1.1 HOUSING: HIGH TEMPERATURE UL94V-0 BLACK
  - 1.2 INSULATOR: HIGH TEMPERATURE UL94V-0 BLACK
  - 1.3 CONTACT: PHOSPHOR BRONZE
  - 1.4 SHELL: COPPER ALLOY
2. FINISH:
  - 2.1 TERMINAL: CONTACT AREA PLATING GOLD 6u"
  - 2.2 SHELL: PLATING Ni OVERALL



**PRELIMINARY**

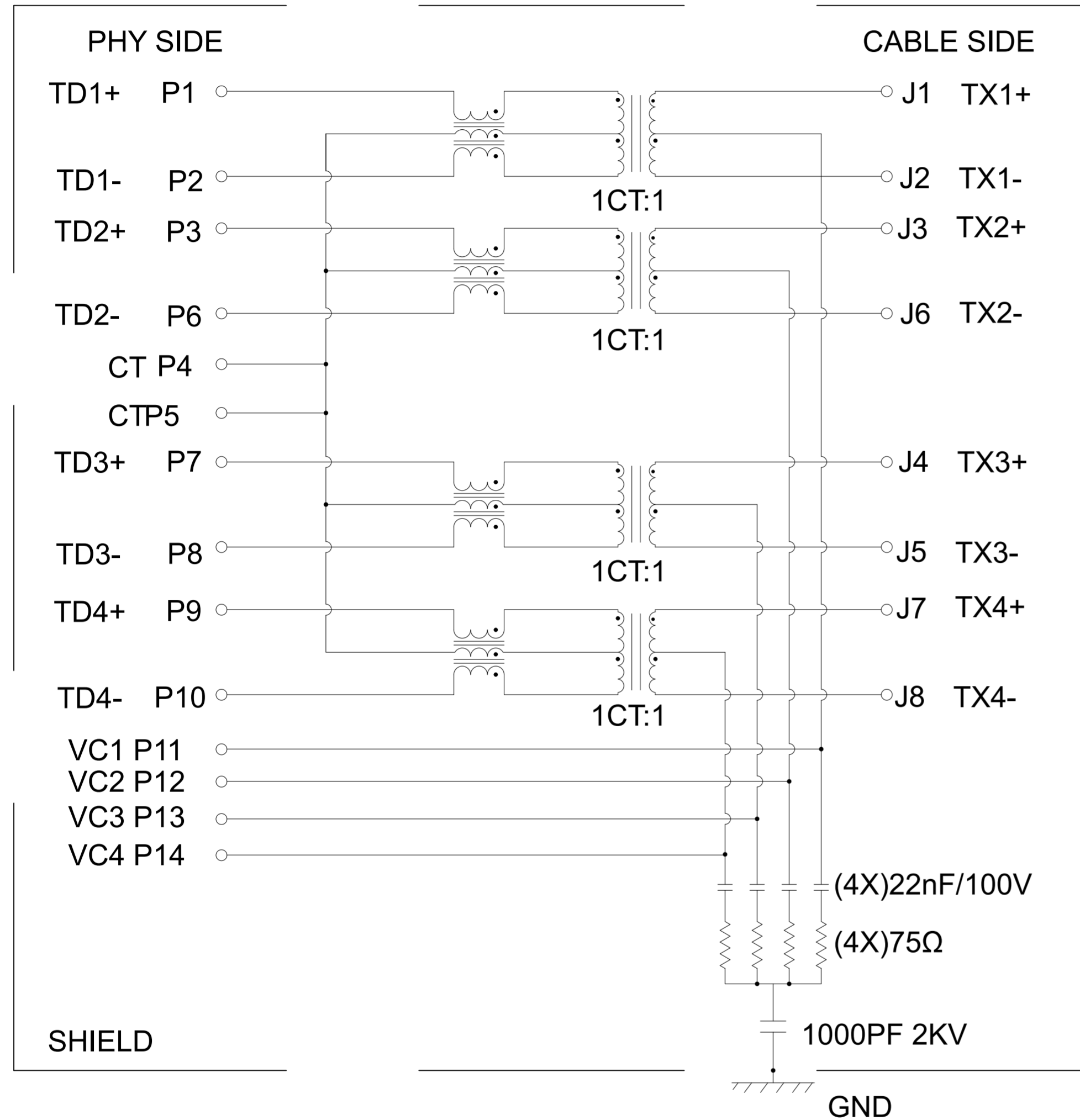


**2497292-1**  
**PART NUMBER**

THIS DRAWING IS A CONTROLLED DOCUMENT.		DWN TARUN, R	06MAR2025			<b>PRELIMINARY</b>		RJ45 TAB UP 1x2 TYPE 10G+POE W/ LED&SHELL	
DIMENSIONS: mm [INCHES]		CHK RAMESH, KIVADER	06MAR2025						
TOLERANCES UNLESS OTHERWISE SPECIFIED:		APVD RAGHAVAN, CG	06MAR2025						
0 PLC ± - 1 PLC ± 0.35 2 PLC ± 0.25 3 PLC ± 0.15 4 PLC ± - ANGLES ± 2°		NAME RAGHAVAN, CG	06MAR2025						
MATERIAL		PRODUCT SPEC 108-161860		APPLICATION SPEC 114-161364		SIZE A2	CAGE CODE 00779	DRAWING NO C=2497292	RESTRICTED TO
FINISH		WEIGHT		CUSTOMER DRAWING		SCALE 1:1	SHEET 1 of 2	REV 1	

REVISIONS					
P	LTR	DESCRIPTION	DATE	DWN	APVD
-	-	SEE SHEET 1	-	-	-

### SCHEMATICS



### SPECIFICATIONS:

- 10G Ethernet Application;
- Meets IEEE 802.3 & ANSI X 3.263 Standards;
- EU Rohs/ELV and GP Compliant,
- Reflow Soldering Temperature:  $260^{\circ}\text{C} \pm 5^{\circ}\text{C}$ ;
- Operation Temperature:  $-40^{\circ}\text{C}$  to  $+70^{\circ}\text{C}$ ;  
Storage Temperature:  $-40^{\circ}\text{C}$  to  $+85^{\circ}\text{C}$ ;
- Contact Resistance:  $30\text{m}\Omega$  Max.;
- Insertion Force With The Latch Depressed:  $30\text{N}$  Max.;;  
Removal Force With The Latch Depressed:  $30\text{N}$  Max.;;  
Durability: 750 Cycles;
- Transmitter Filter & Receiver Filter:  
Insertion Loss: @1~500MHz  $-3.0\text{dB}$  Max.;;  
Return Loss:  
1-100MHz @  $-22\text{dB}$  Min.;;  
100~500MHz @  $-22+20.75 \cdot \log(f/100)\text{dB}$
- Cross Talk: 1-100MHz @  $-28\text{dB}$  Min.;;  
100~500MHz @  $-16\text{dB}$  Min
- Comm Mode Rejection: 1~100 MHz  $-30\text{dB}$  Min.;;  
100~500 MHz  $-18\text{dB}$  Min.;;
- Inductance: @100 KHz, 0.1V,  $160\mu\text{H}$  Min.;;
- HiPot Test: Input To Output:  $1500\text{Vrms}$  Min;
- DC current/Voltage rating-PSE pins:  $600\text{mA}$  Max@ $57\text{VDC}$ (Continuous)

**PRELIMINARY**

THIS DRAWING IS A CONTROLLED DOCUMENT.		DWN TARUN, R 06MAR2025			
DIMENSIONS: mm [INCHES]		CHK RAMESH, KIVADER 06MAR2025			
TOLERANCES UNLESS OTHERWISE SPECIFIED:		APVD RAGHAVAN, CG 06MAR2025	NAME RJ45 TAB UP 1x2 TYPE 10G+POE W/ LED&SHELL		
0 PLC ± - 1 PLC ± 0.35 2 PLC ± 0.25 3 PLC ± 0.15 4 PLC ± - ANGLES ± 2°		PRODUCT SPEC 108-161860	SIZE A2		
MATERIAL		APPLICATION SPEC 114-161364	CAGE CODE 00779	DRAWING NO C=2497292	RESTRICTED TO
FINISH		WEIGHT	SCALE 1:1	SHEET 2 OF 2	REV 1
CUSTOMER DRAWING					