

REV	DESCRIPTION	DATE	DWN	APVD
F01	(ECD-21-00147) PRODUCTION RELEASE	19MAR21	DARON	WT NG
AA	CHANGE TO TE DRAWING FORMAT	07JUN24	KS	HCY

D

D

C

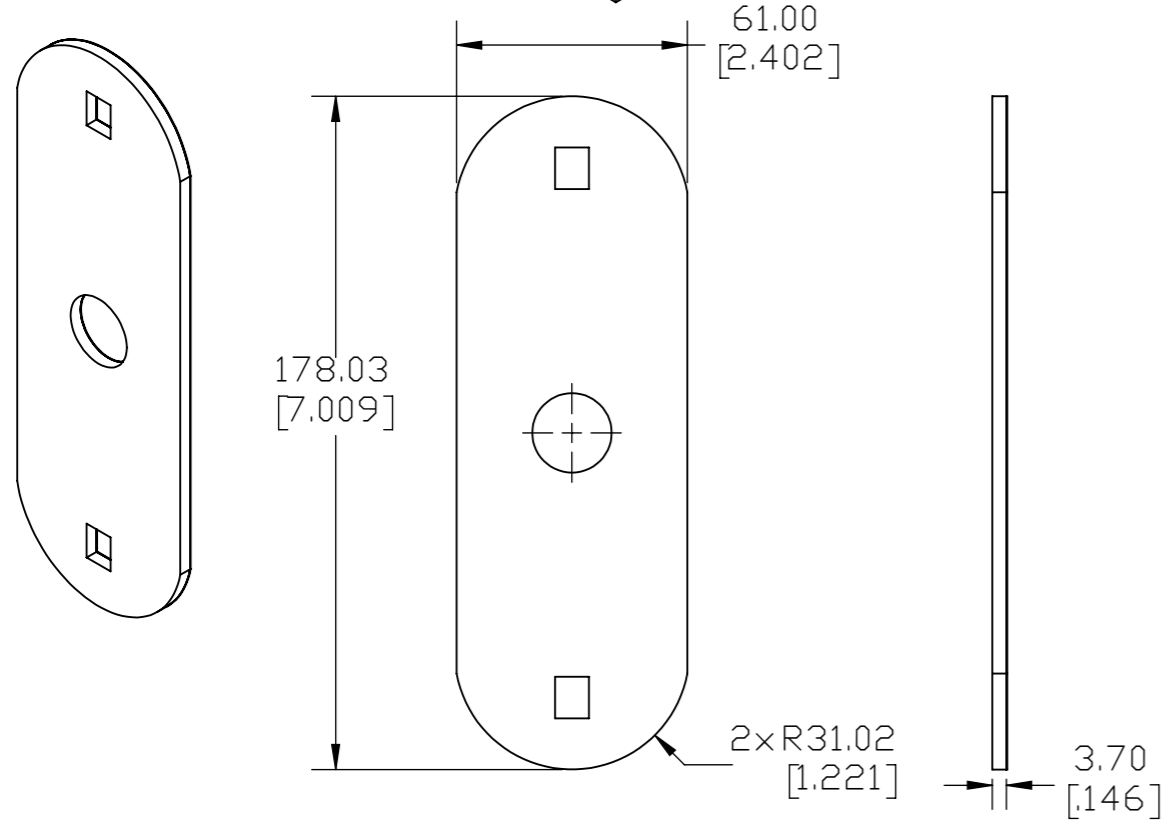
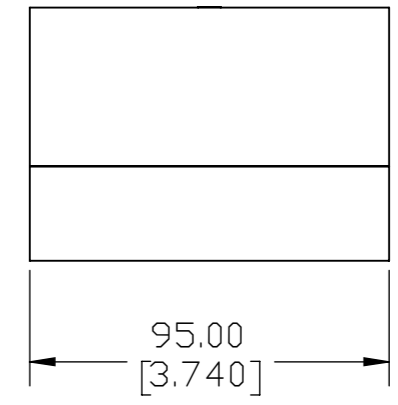
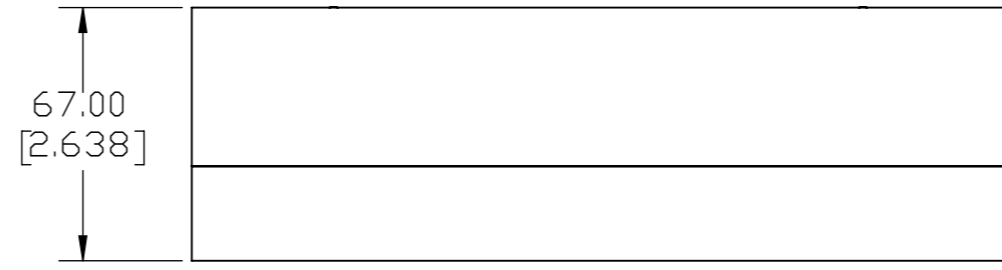
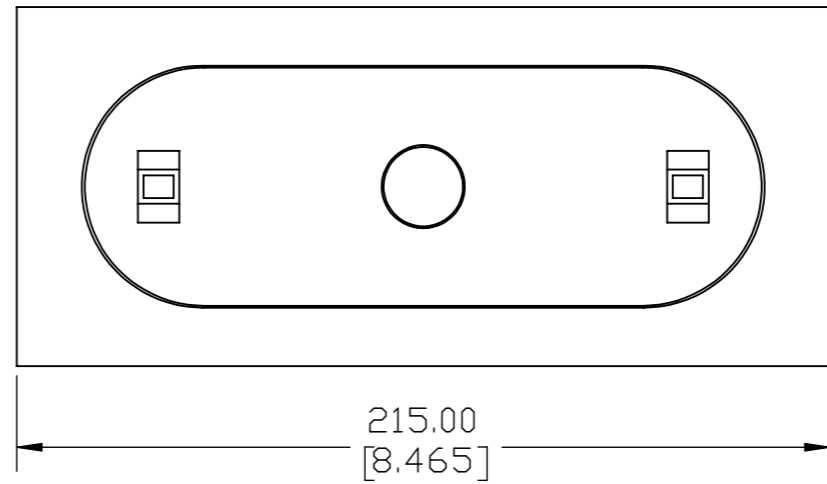
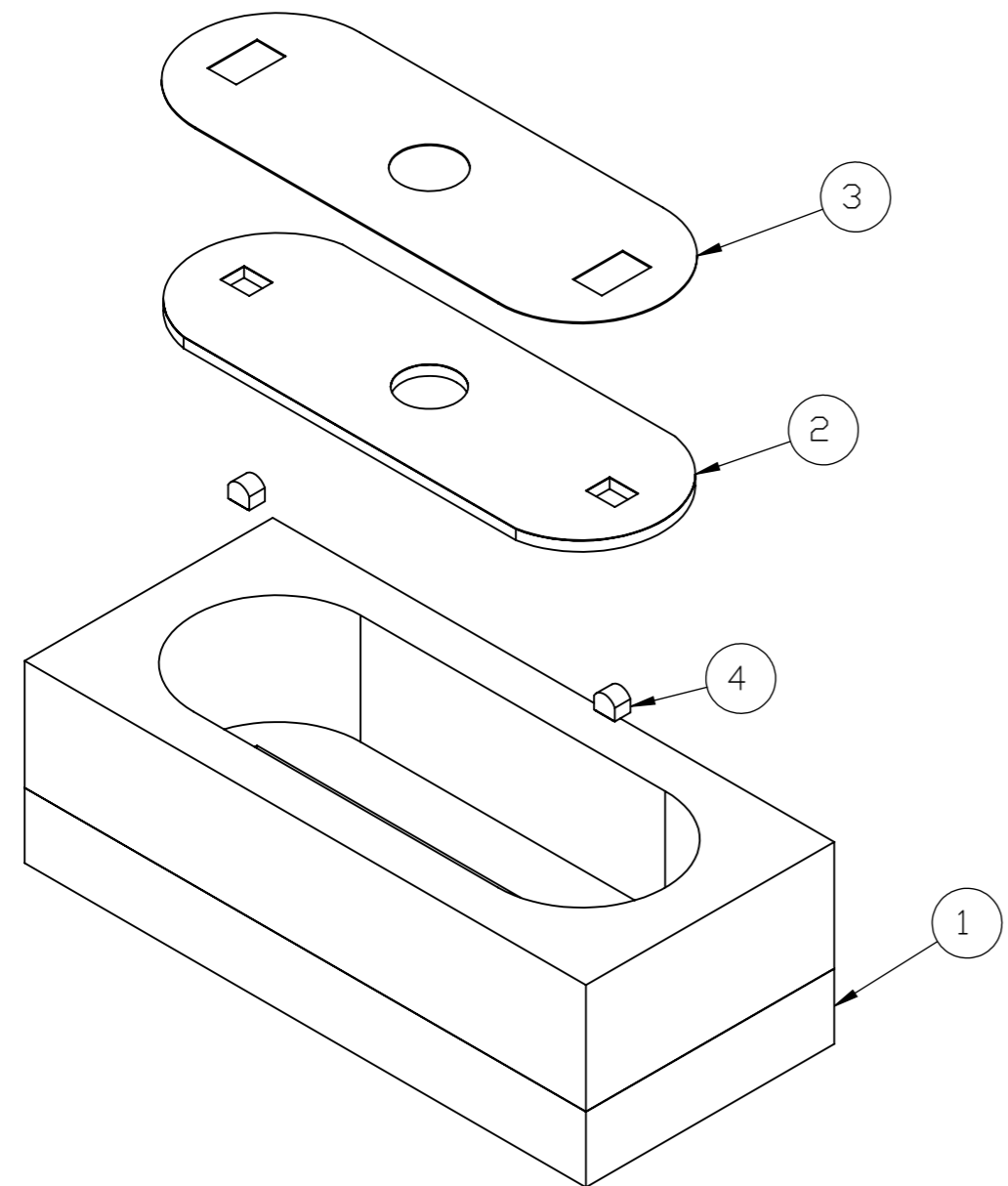
C

B

B

A

A



QTY.	UDM	PART NUMBER	DESCRIPTION	ITEM NO.
2	EA	107-00144	FOAM, CONDUCTIVE PROFILE	4
1	EA	153-00149	DRILL TEMPLATE, 2020 FORD	3
1	EA	107-00140	GASKET, DIE,	2
1	EA	166-00066	FOAM FIXTURE, 2020 FORD	1

THIS DRAWING IS A CONTROLLED DOCUMENT.		DWN KISHORE S 10SEP2020
DIMENSIONS: mm[INCH]		CHK YJ TEOH 10SEP2020
TOLERANCES UNLESS OTHERWISE SPECIFIED:		APVD C.HANG 10SEP2020
0 PLC ± 0.5		NAME
1 PLC ± 0.25		ANT, MOUNT KIT, RUBBER PAD
2 PLC ± 0.130		
3 PLC ±		SIZE
4 PLC ±		CAGE CODE
ANGLES ± 30'		DRAWING NO
MATERIAL N/A	FINISH N/A	RESTRICTED TO
CUSTOMER DRAWING		SCALE 1:2
		SHEET 1 OF 1
		REV A1



SIZE	CAGE CODE	DRAWING NO	RESTRICTED TO
A3	00779	©=BKIT-VFX69383-001	
SCALE 1:2		SHEET 1 OF 1	REV A1