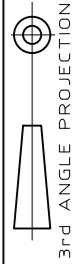


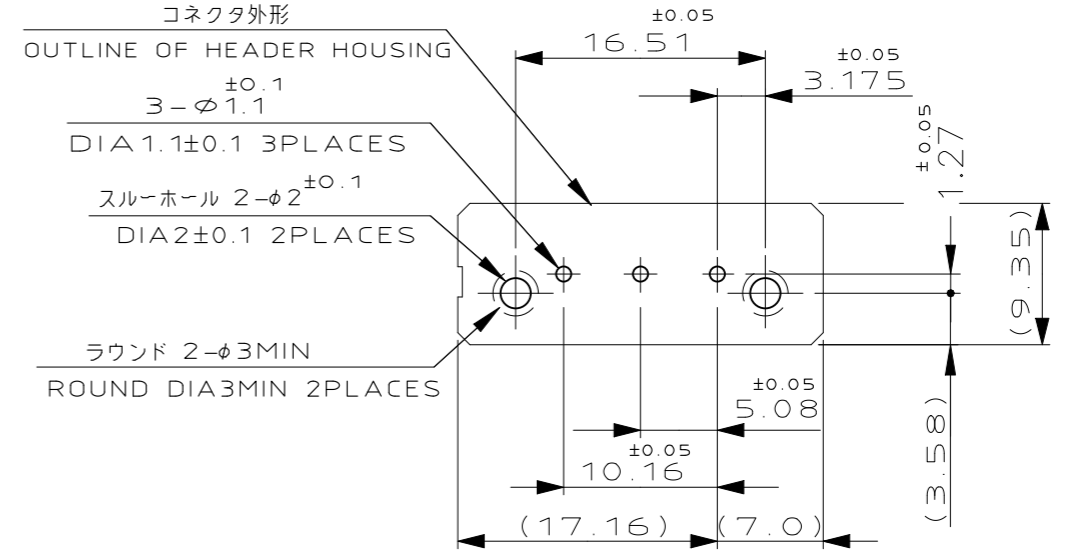
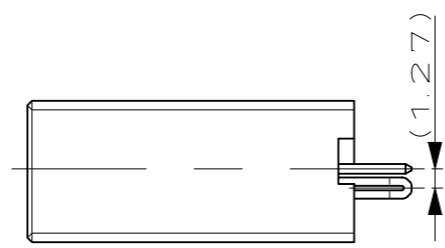
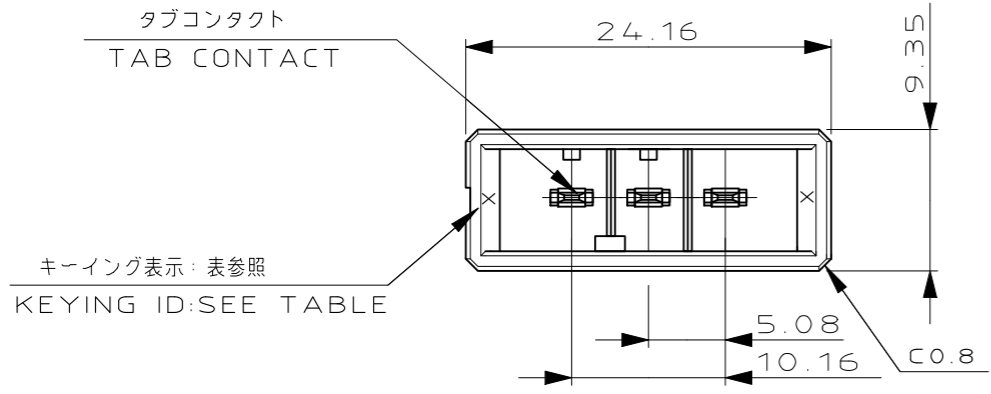
NUMBER 178136



METRIC

DIMENSIONS IN MILLIMETERS. DO NOT SCALE PRINT

PRINT DIST



コネクタ外形  
OUTLINE OF HEADER HOUSING

推奨基板取付け穴寸法  
PC 基板厚: 1.6±0.1  
(非累積公差)  
(コネクタ搭載面)

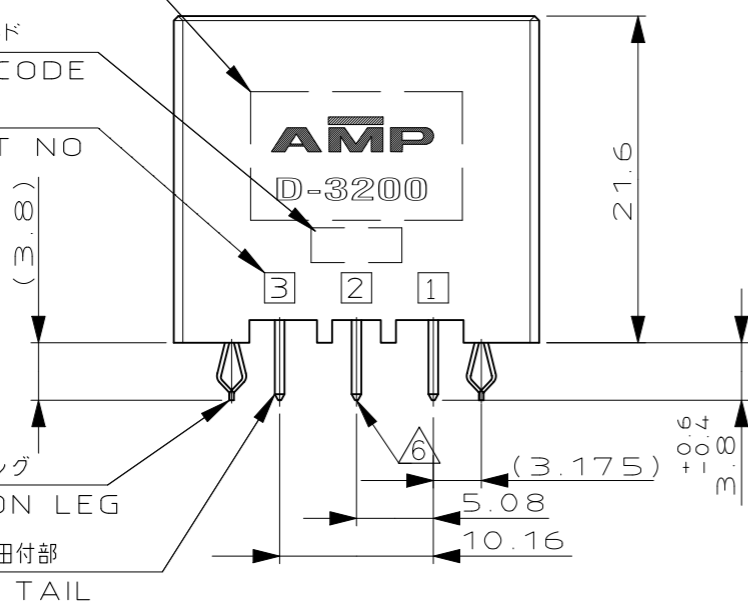
RECOMEND PC BOARD HOLE PATTERN  
PC BOARD THICKNESS: 1.6±0.1  
(NOT ACCUMULATE TOLERANCE)  
(CONNECTOR MOUNT SIDE)

AMPマーク & ロケーションマーク  
シリーズマーク

SERIES MARK & LOCATION MARK

デートコード  
DATE CODE

回路番号  
CIRCUIT NO



リテンションレグ  
RETENTION LEG

コンタクト半田付部  
CONTACT TAIL

NOTES

- MATERIAL: HOUSING: GLASS FILED THERMO PLASTIC, POLYESTER(94V-0), COLOR: BLACK  
CONTACT: COPPER ALLOY  
RETENTION LEG: COPPER ALLOY
- FINISH (CONTACT AREA): 0.38µm PdNi & Au PLATING OVER NICKEL
- FINISH (CONTACT AREA): 0.76µm PdNi & Au PLATING OVER NICKEL
- FINISH (CONTACT AREA): 2.0µm MIN TIN PLATED OVER NICKEL
- FINISH (RETENTION LEG): TIN-LEAD PLATED (CONTACT TAIL) OVER NICKEL
- IN CASE OF 5-178136-2, 6-178136-2, TAB CNT OF NO.2 IS PULLED OUT.
- FINISH (RETENTION LEG): TIN PLATED (CONTACT TAIL) OVER NICKEL
- THE SHAPE, SIZE AND POSITION OF THE CHARACTER SHOW THE OUTLINE THEY DON'T SHOW DETAILS
- THE DATE CODE SHOW PRODUCTION LOT BY NUMBER. THE NUMBER MAKE UP THE NUMBER OF FOUR COLUMNS OR FIVE COLUMNS. (INCLUDE THE ALPHABET)

	Z	△ △	3-178136-5
	Y	△ △	2-178136-5
		△ △ △	2-178136-3
		△ △ △	6-178136-2
	X	△ △	2-178136-2
		△ △	1-178136-5
		△ △ △	1-178136-3
		△ △ △	5-178136-2
		△ △	1-178136-2
KEYING LOCATION	KEYING	FINISH	製品番号 PART NO.



J	REVISED PER ECR-25-250800	FZ	RB	03JAN 2025	DR.	19 APR 94	DE.	19 APR 94	NAME DYNAMIC D-3200 5.08PITCH(V) 3 POS.HDR CONN.ASS'Y	一般公差 (GENERAL TOLERANCE) 10% 30% : ±0.3 10% 30% : ±0.4 30% 100% : ±0.45 角 度 : ±3°	SIZE A3	LOC J	NUMBER C-178136	SCALE 2-1	REV. J	SHEET 1 OF 1
H6	REVISED PER ECO-11-005030	RK	HMR	24MAR 11	CHK.	N. Matsubara 20 APR 94	DE.	N. Matsubara 20 APR 94								
LTR	REVISION RECORD	DR	CHK	DATE	CHK.	S. MANABE	APP.	S. MANABE								