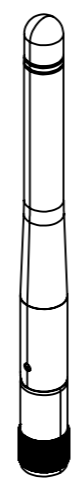
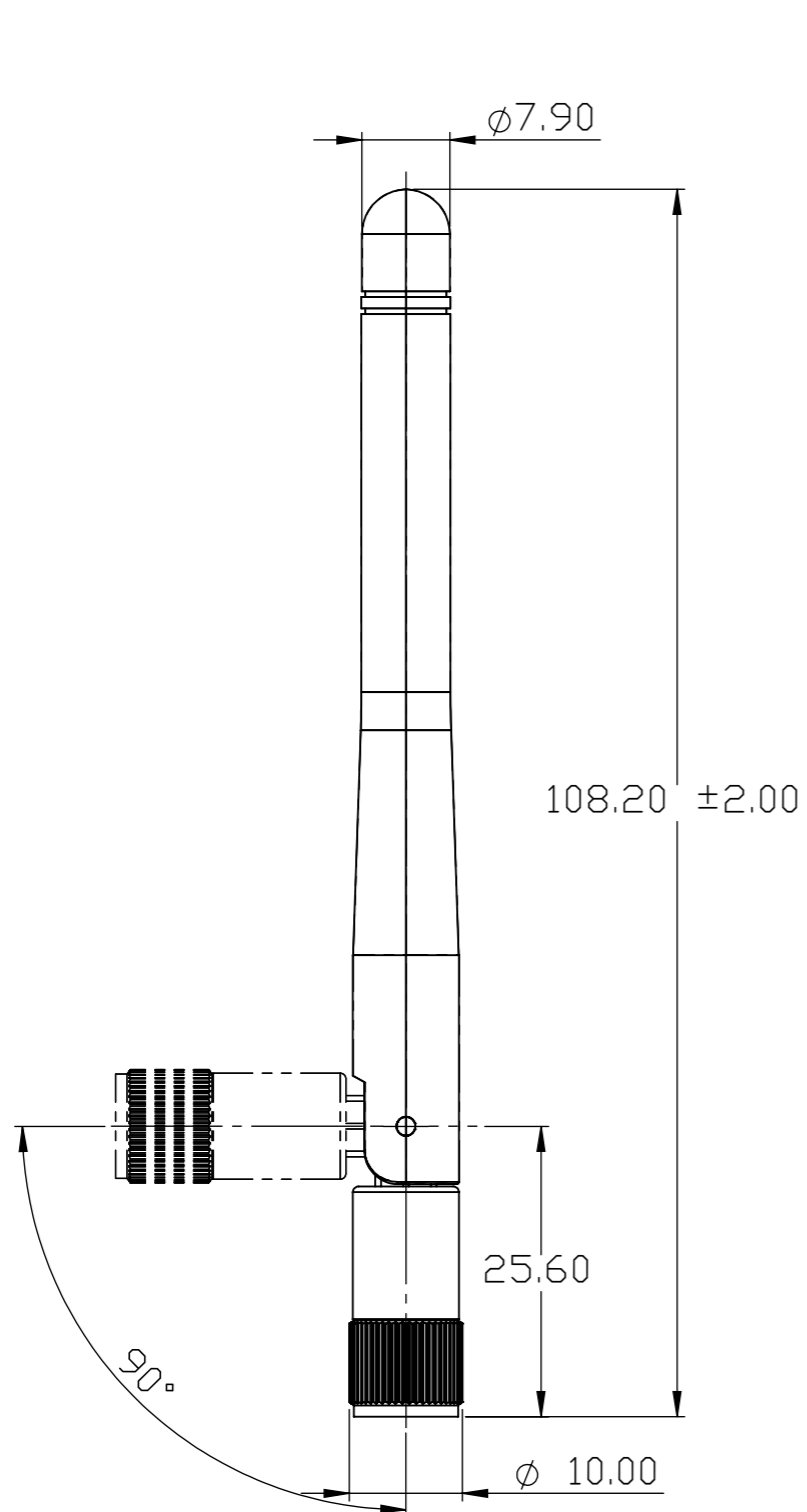


REVISIONS

REV	DESCRIPTION	DATE	DWN	APVD
A	CHANGE TO TE DRAWING FORMAT	11JUL25	PK	C HANG



ELECTRICAL PROPERTIES	
FREQUENCY RANGE	2.4~2.483 GHz
IMPEDANCE	
V.S.W.R	≤ 2.0
RADIATION	OMNI
GAIN	2dBi
POLARIZATION	VERTICAL
WAVE LENGTH ,TYPE	
BEAM WIDTH[±3 dBi]	78°@ E-PLANE 360°@ H-PLANE
TEST GROUND SIZE	N/A
MECHANICAL PROPERTIES	
RADOME MATERIAL	TPE
CONNECTOR TYPE	REVERSE SMA PLUG
IP LEVEL	IP-65
DIMENSION	L=108[4.260]
WEIGHT	6.5g(est)
OPERATING TEMP.	-20°C~ +65°C
STORAGE TEMP.	-30°C~ +70°C

REVERSE SMA PLUG

THIS DRAWING IS A CONTROLLED DOCUMENT.

DIMENSIONS:	TOLERANCES UNLESS OTHERWISE SPECIFIED:
mm	
	0 PLC ± 0.5
	1 PLC ± 0.25
	2 PLC ± 0.13
	3 PLC ±
	4 PLC ±
	ANGLES ± 30'

MATERIAL	N/A	FINISH	N/A
----------	-----	--------	-----

DWN	11JUL2025	PRAJAN KUMAR
CHK	11JUL2025	YJ TEOH
APVD	11JUL2025	C.HANG
PRODUCT SPEC	REFER TABLE	
APPLICATION SPEC	N/A	
WEIGHT	REFER TABLE	
CUSTOMER DRAWING		

**PRELIMINARY** TE Connectivity

ANTENNA, 2.4 GHZ DIPOLE

SIZE	CAGE CODE	DRAWING NO	RESTRICTED TO
A3	00779	C=001-0001-L	
SCALE 1:1		SHEET 1 OF 1	REV A