

4

3

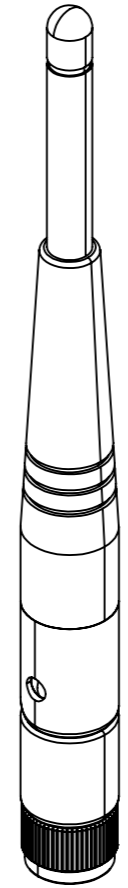
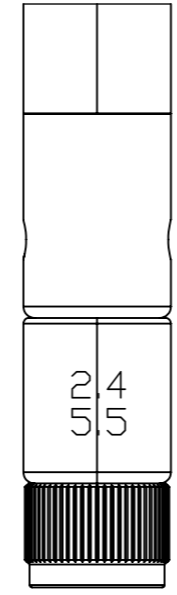
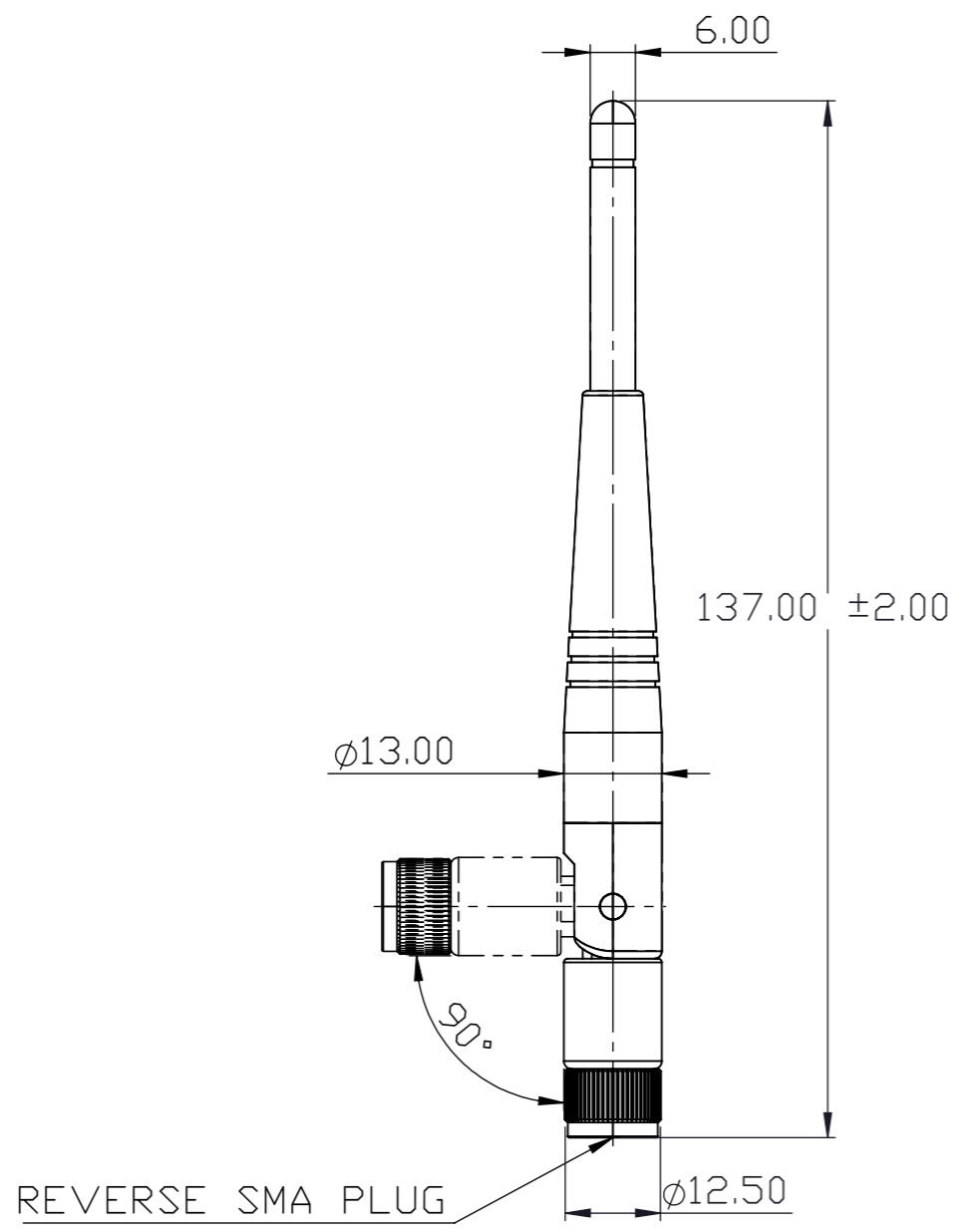
2

1

© 2025 TE Connectivity. All Rights Reserved.

REVISIONS

REV	DESCRIPTION	DATE	DWN	APVD
A	CHANGE TO TE DRAWING FORMAT	15JUL25	PCN	C HANG



ELECTRICAL PROPERTIES	
FREQUENCY RANGE	2.4~2.5 GHz 5.15~5.85 GHz
IMPEDANCE	
V.S.W.R	≤ 2.0
RADIATION	OMNI
GAIN	2dBi
POLARIZATION	VERTICAL
MECHANICAL PROPERTIES	
WHIP	PU/TPE
CONNECTOR	BRASS
WEIGHT	22g(est)
OPERATING TEMP.	-20°C~ +65°C

THIS DRAWING IS A CONTROLLED DOCUMENT.

DIMENSIONS: mm	TOLERANCES UNLESS OTHERWISE SPECIFIED: 0 PLC ± 0.5 1 PLC ± 0.25 2 PLC ± 0.13 3 PLC ± 4 PLC ± ANGLES ± 30'	DWN PAVANA 15JUL2020 CHK YJ TECH 15JUL2020 APVD C.HANG 15JUL2020 PRODUCT SPEC N/A APPLICATION SPEC N/A WEIGHT N/A			
MATERIAL N/A	FINISH N/A	SIZE A3	CAGE CODE 00779	DRAWING NO C=001-0009	RESTRICTED TO
CUSTOMER DRAWING			SCALE 1:1	SHEET 1 OF 1	REV A

PRELIMINARY ANTENNA, 2.4/5.5 GHz Dipole