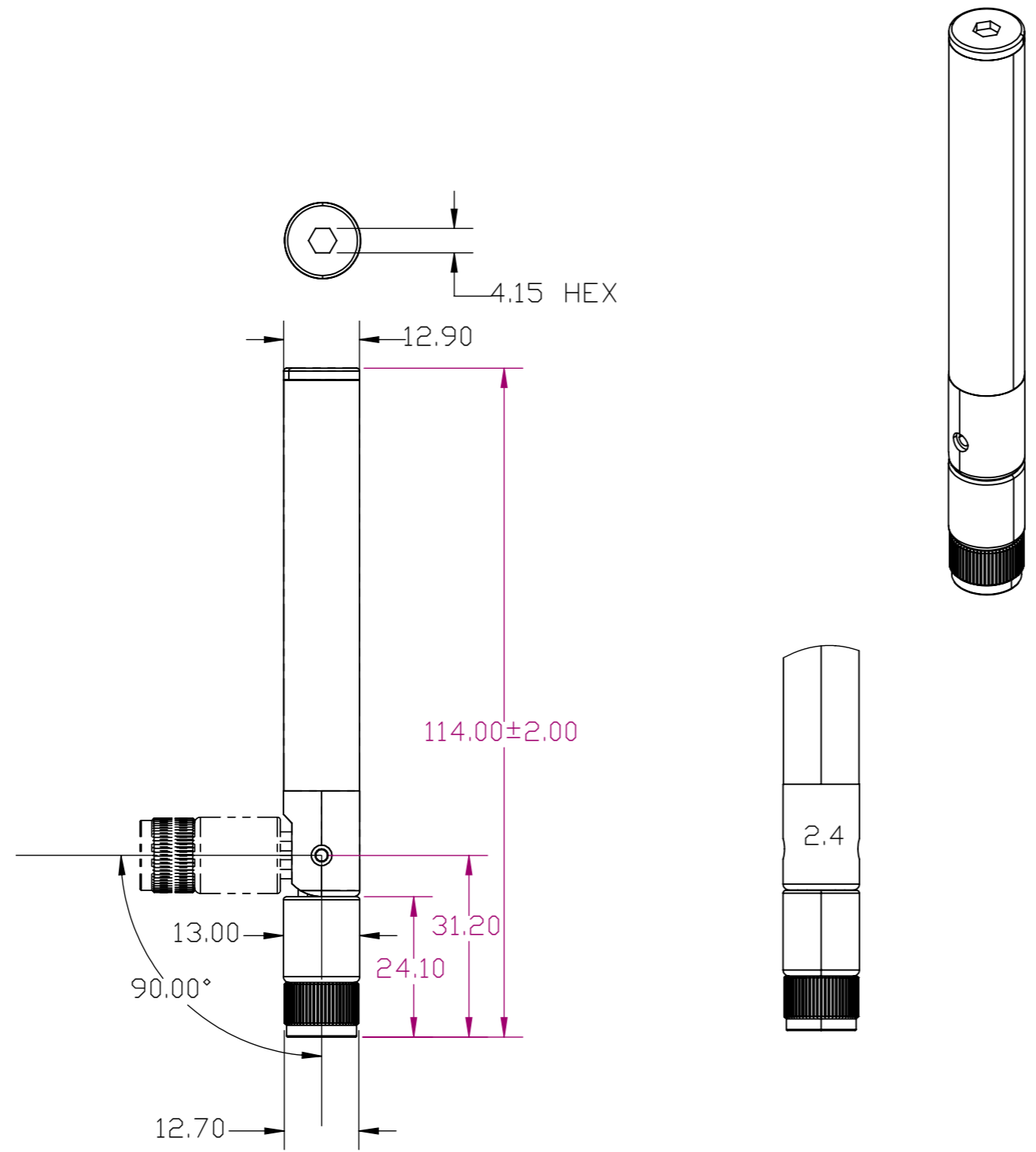


REVISIONS

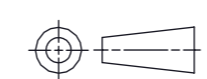
REV	DESCRIPTION	DATE	DWN	APVD
A	CHANGE TO TE DRAWING FORMAT	11JUL25	PK	C HANG



ELECTRICAL PROPERTIES	
FREQUENCY	2.4~2.4835GHz
IMPEDANCE	50 OHM
V.S.W.R	≤2.0
RADIATION	Omni
GAIN	2dBi
POLARIZATION	VERTICAL
MECHANICAL PROPERTIES	
ANTENNA RADOME	PC
CONNECTOR	REVERSE SMA PLUG
INGRESS PROTECTION	IP67
WEIGHT	16g (EST)
OPERATING TEMP	-40° C ~ +85° C

THIS DRAWING IS A CONTROLLED DOCUMENT.

DIMENSIONS: mm



MATERIAL N/A

TOLERANCES UNLESS OTHERWISE SPECIFIED:

0 PLC	± 0.5
1 PLC	± 0.25
2 PLC	± 0.13
3 PLC	±
4 PLC	±
ANGLES	± 30'

FINISH N/A

DWN 11JUL2025
 PRAJAN KUMAR
 CHK 11JUL2025
 YJ TEOH
 APVD 11JUL2025
 C.HANG
 PRODUCT SPEC REFER TABLE
 APPLICATION SPEC N/A
 WEIGHT REFER TABLE
 CUSTOMER DRAWING



ANTENNA, 2.4 GHZ Dipole, IP67

SIZE	CAGE CODE	DRAWING NO	RESTRICTED TO
A3	00779	C=001-0010	
SCALE 1:1		SHEET 1 OF 1	REV A