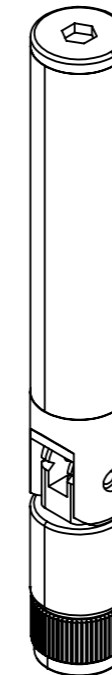
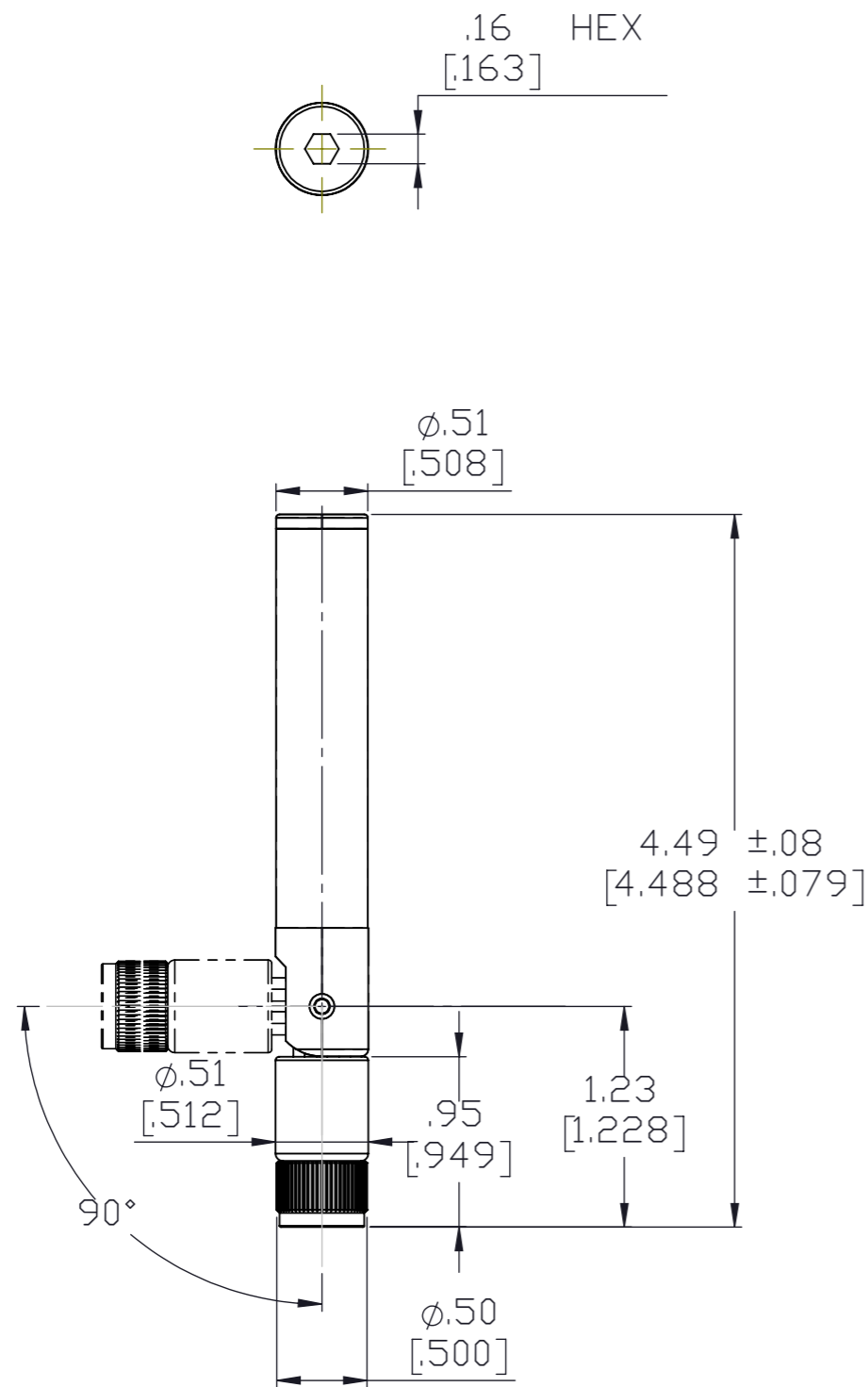


REV	DESCRIPTION	DATE	DWN	APVD
A	CHANGE TO TE DRAWING FORMAT	21JUL25	PCN	HCY



ELECTRICAL PROPERTIES	
FREQUENCY RANGE	2.4~2.4835GHz 5.15~5.85GHz
IMPEDANCE	50Ω
V.S.W.R	≤ 2.0
RADIATION	OMNI
GAIN	2/2dBi
POLARIZATION	VERTICAL
MECHANICAL PROPERTIES	
ANTENNA RADOME	PC
CONNECTOR	REVERSE SMA PLUG
INGRESS PROTECTION	IP67
WEIGHT	18.5g (est)
OPERATING TEMP.	-40°C~ +85°C

REVERSE SMA PLUG

THIS DRAWING IS A CONTROLLED DOCUMENT.

DIMENSIONS: mm[INCH]	TOLERANCES UNLESS OTHERWISE SPECIFIED: 0 PLC ± 1.0 1 PLC ± 0.5 2 PLC ± 0.25 3 PLC ± 0.130 4 PLC ± ANGLES ± 30'	DWN 25 JUL 2024 KISHORE S CHK 25 JUL 2024 J.HAGER APVD 25 JUL 2024 NG WEITAI	TE Connectivity
		PRODUCT SPEC N/A	PRELIMINARY
MATERIAL N/A	FINISH N/A	APPLICATION SPEC N/A	ANTENNA, 2.4/5.5 GHz Dipole, IP67
		WEIGHT REFER TABLE	SIZE A3 CAGE CODE 00779 DRAWING NO C-001-0012 RESTRICTED TO
		CUSTOMER DRAWING	SCALE 1:1 SHEET 1 OF 1 REV A