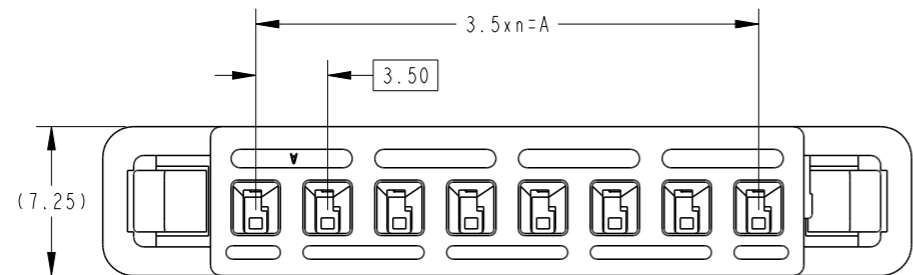
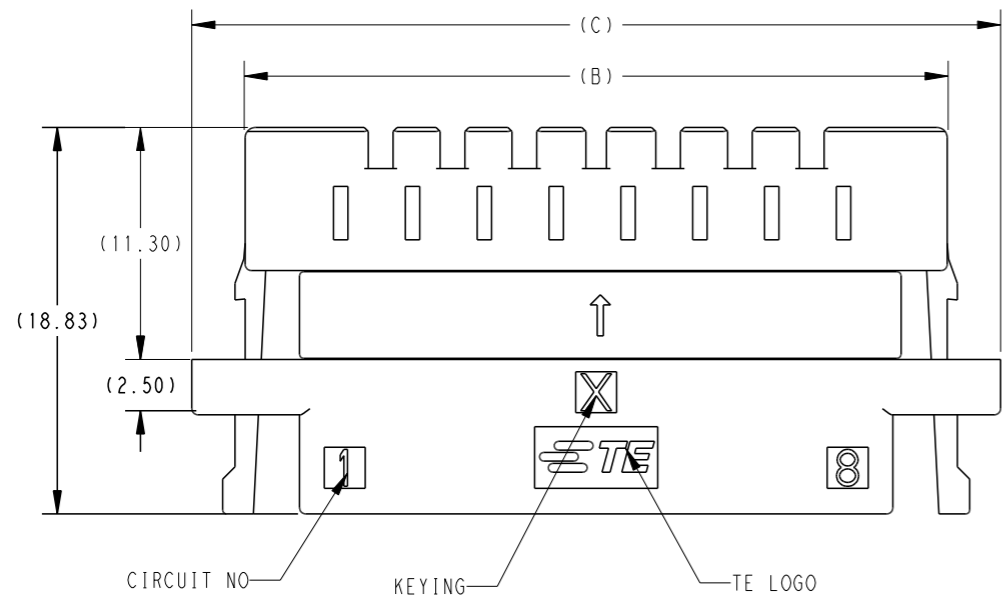
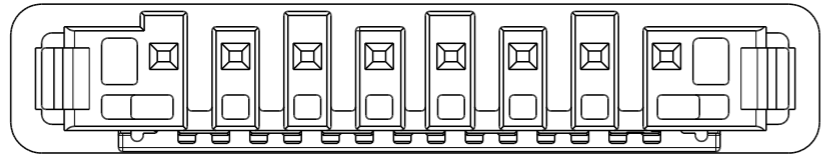
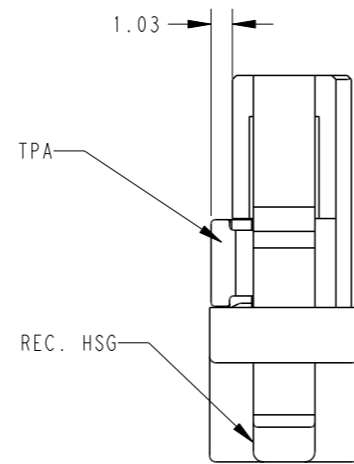


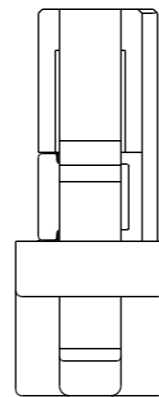
REVISIONS					
P	LTR	DESCRIPTION	DATE	DWN	APVD
2		UPDATE	28AUG2024	F.Z	R.B
A		RELEASED	18JUN2025	F.Z	R.B



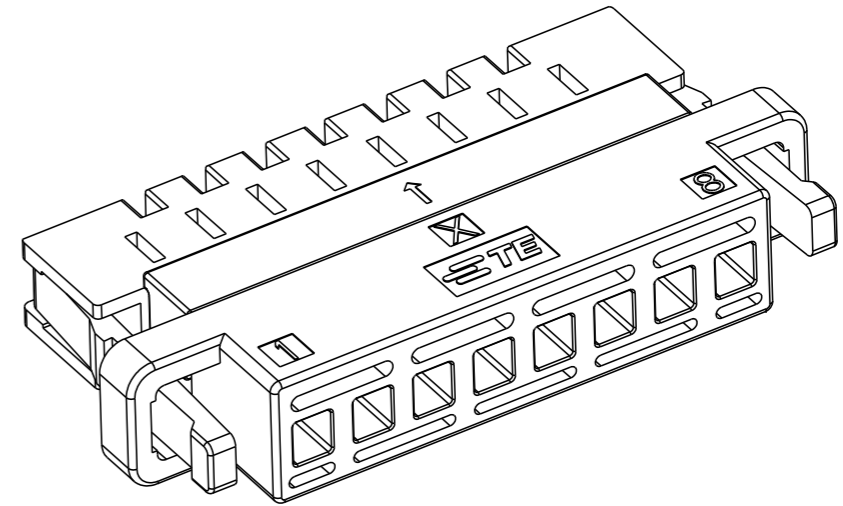
P/N: 1-2473514-8
(8POS: X-KEY)



SECONDARY LOCK
IN PRE-LOCK POSITION



SECONDARY LOCK
IN END-LOCK POSITION



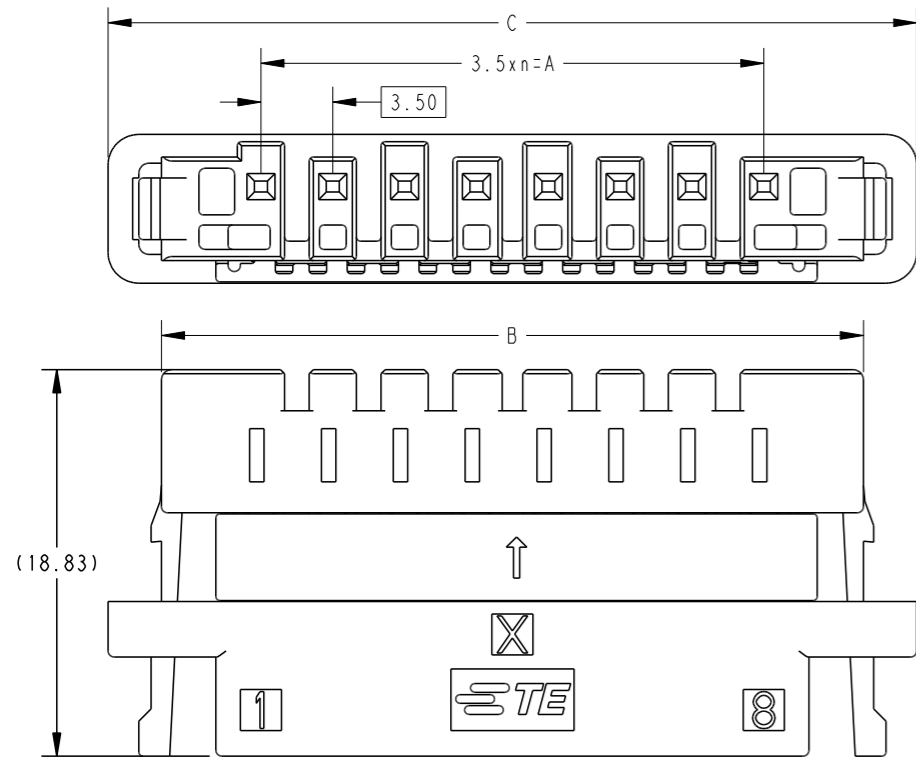
- NOTES
- MATERIAL:
REC. HOUSING: GLASS FILLED THERMO PLASTIC POLYESTER(UL94-V0), COLOR: ORANGE
TPA: GLASS FILLED THERMO PLASTIC POLYESTER(UL94-V0), COLOR: BLACK
 - RATED OPERATION VOLTAGE: 1000V DC (POLLUTION DEGREE: 2);
 - OPERATION TEMPERATURE: -40°C - +125°C;
 - PACKAGING IN TRAY;
 - THE 'KEYING' ARRANGEMENT OF 'Y' IS SYMMETRIC WITH 'X'.

POS	KEY	n	A	B	C	PART NO
8	Y	7	24.5	34.2	39.4	2-2473514-8
	X	7	24.5	34.2	39.4	1-2473514-8
7	Y	6	21.0	30.7	35.9	2-2473514-7
	X	6	21.0	30.7	35.9	1-2473514-7
6	Y	5	17.5	27.2	32.4	2-2473514-6
	X	5	17.5	27.2	32.4	1-2473514-6
5	Y	4	14.0	23.7	28.9	2-2473514-5
	X	4	14.0	23.7	28.9	1-2473514-5
4	Y	3	10.5	20.2	25.4	2-2473514-4
	X	3	10.5	20.2	25.4	1-2473514-4

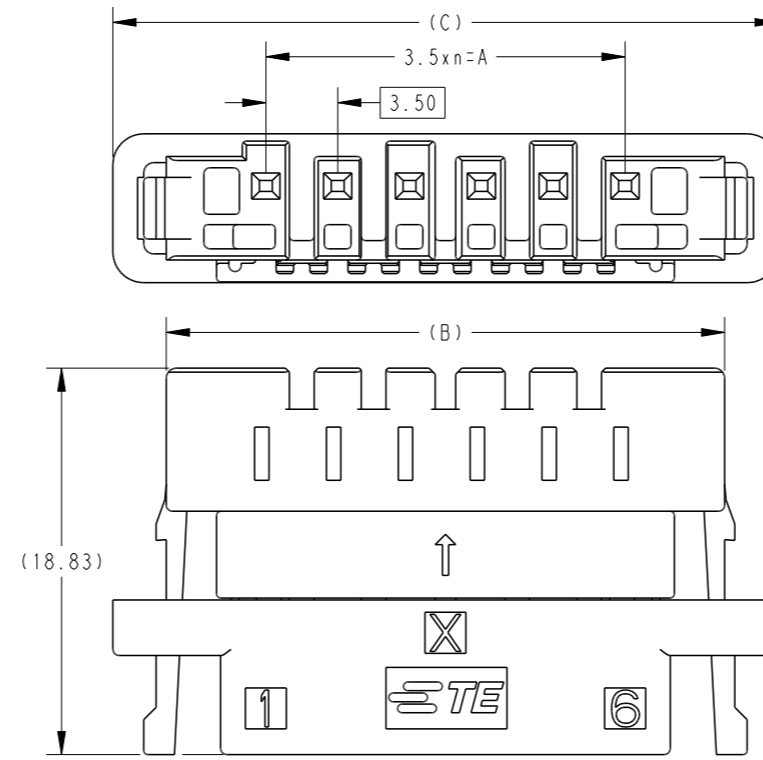
THIS DRAWING IS A CONTROLLED DOCUMENT.

DIMENSIONS: mm	TOLERANCES UNLESS OTHERWISE SPECIFIED: 0 PLC ±0.3 1 PLC ±0.3 2 PLC ±0.3 3 PLC ±0.3 4 PLC ±0.3 ANGLES ±0.5 FINISH -	MATERIAL TBD	DWN 09SEP2023 Colin Chen	CHK 11SEP2023 Rick Bian	APVD 11SEP2023 Rick Bian	NAME DYNAMIC HV10 RECEPTACLE HOUSING ASSY	TE Connectivity		
			PRODUCT SPEC 108-161098	APPLICATION SPEC 114-161109	WEIGHT -	SIZE A2	CAGE CODE 00779	DRAWING NO C-2473514	RESTRICTED TO -
CUSTOMER DRAWING			SCALE 4:1		SHEET 1 OF 2		REV A		

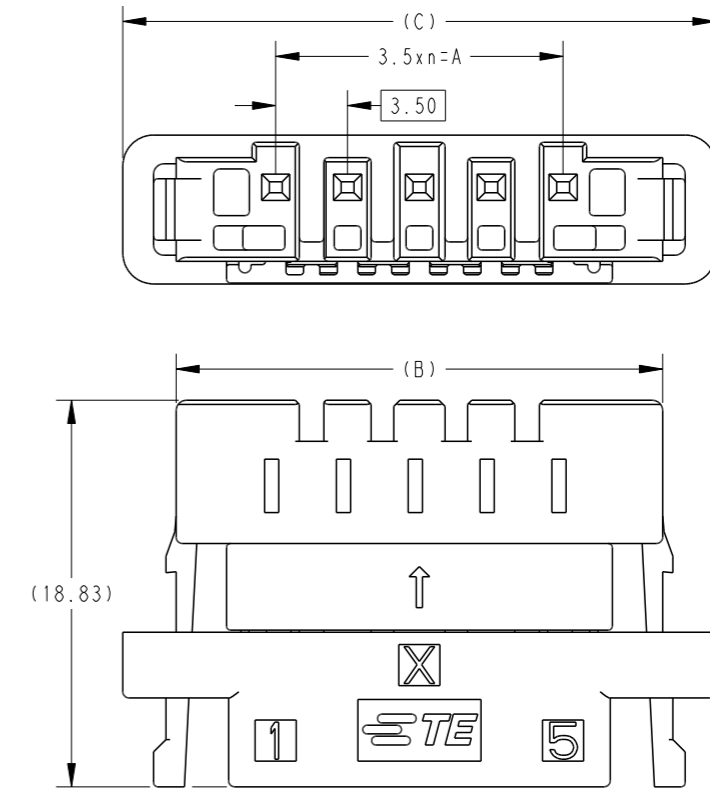
REVISIONS				
P	LTR	DESCRIPTION	DATE	APVD



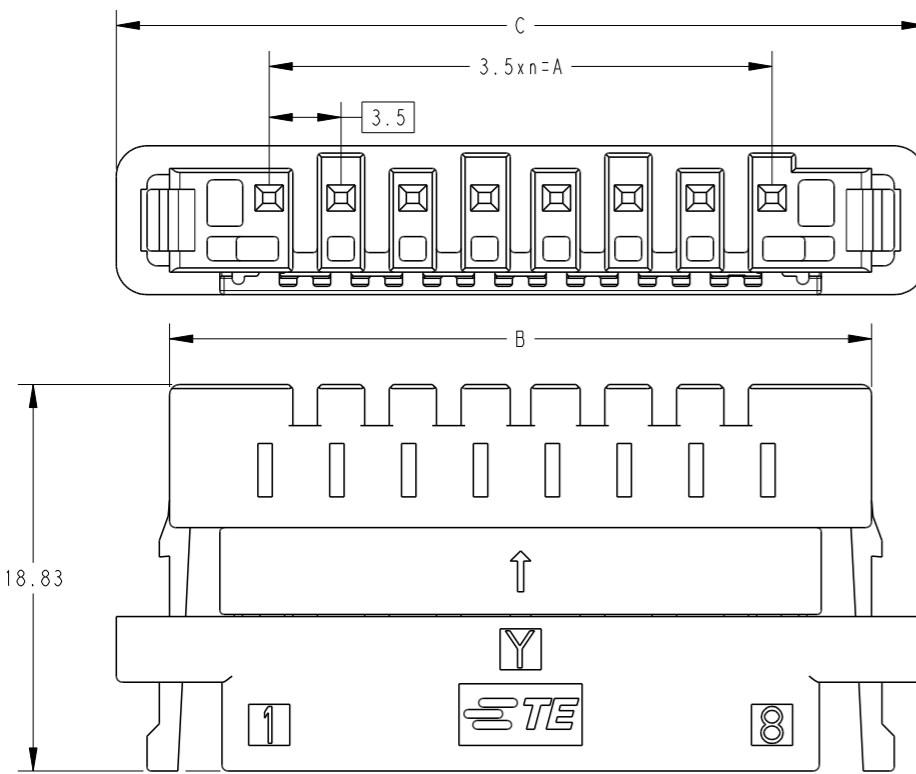
P/N: 1-2473514-8
(8POS: X-KEY)



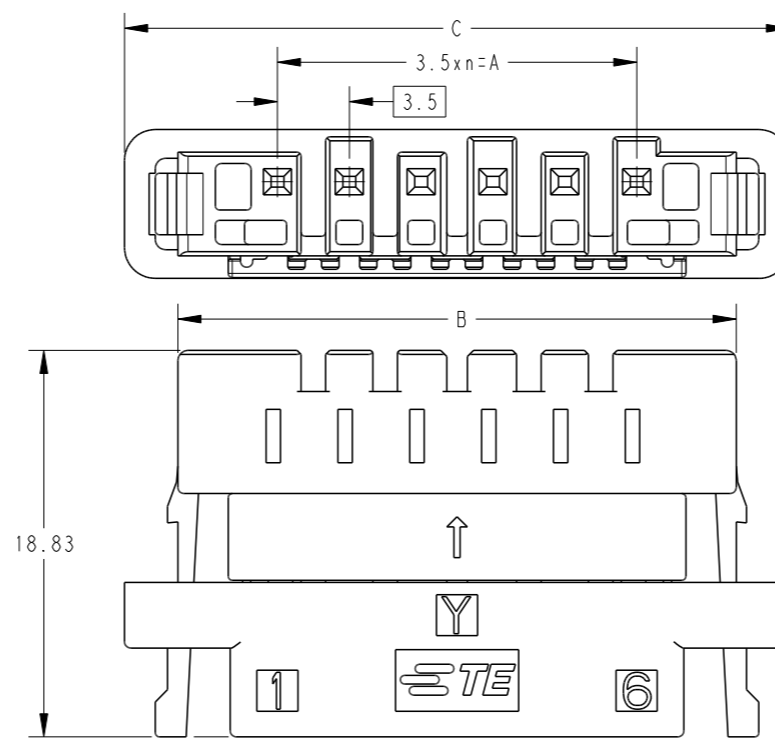
P/N: 1-2473514-6
(6POS: X-KEY)



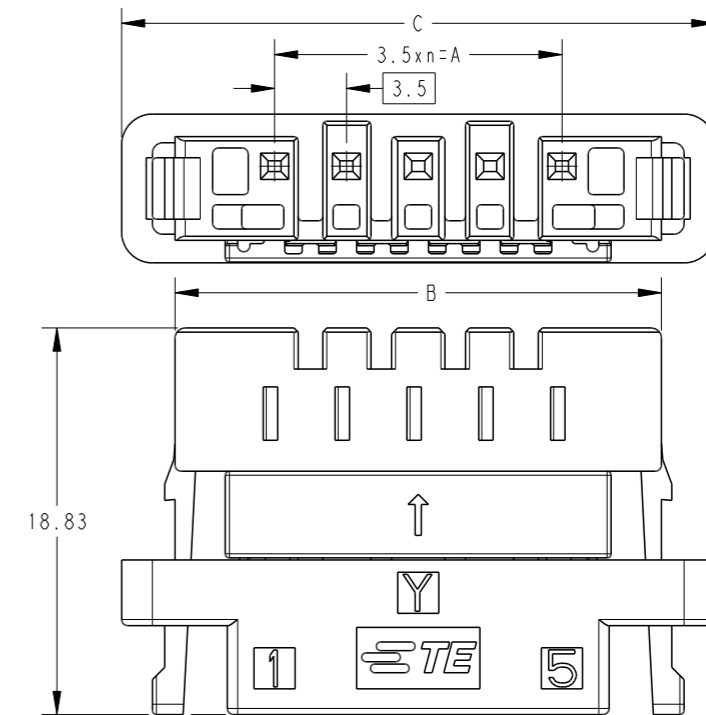
P/N: 1-2473514-5
(5POS: X-KEY)



P/N: 2-2473514-8
(8POS: Y-KEY)



P/N: 2-2473514-6
(6POS: Y-KEY)



P/N: 2-2473514-5
(5POS: Y-KEY)

THIS DRAWING IS A CONTROLLED DOCUMENT.		DWN 09SEP2023 Colin Chen	TE Connectivity	DYNAMIC HV10 RECEPTACLE HOUSING ASSY
DIMENSIONS: mm		CHK 11SEP2023 Rick Bian		
TOLERANCES UNLESS OTHERWISE SPECIFIED:		APVD 11SEP2023 Rick Bian		
0 PLC ±0.3 1 PLC ±0.3 2 PLC ±0.3 3 PLC ±0.3 4 PLC ±0.3 ANGLES ±0.5 FINISH -		PRODUCT SPEC 108-161098 APPLICATION SPEC 114-161109 WEIGHT -		
MATERIAL	TBD	SIZE A2 CAGE CODE 00779 DRAWING NO C-2473514 RESTRICTED TO -	CUSTOMER DRAWING SCALE 4:1 SHEET 2 OF 2 REV A	