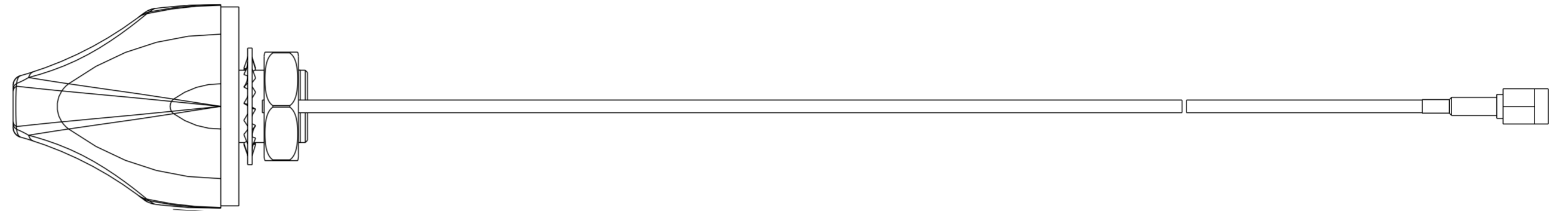
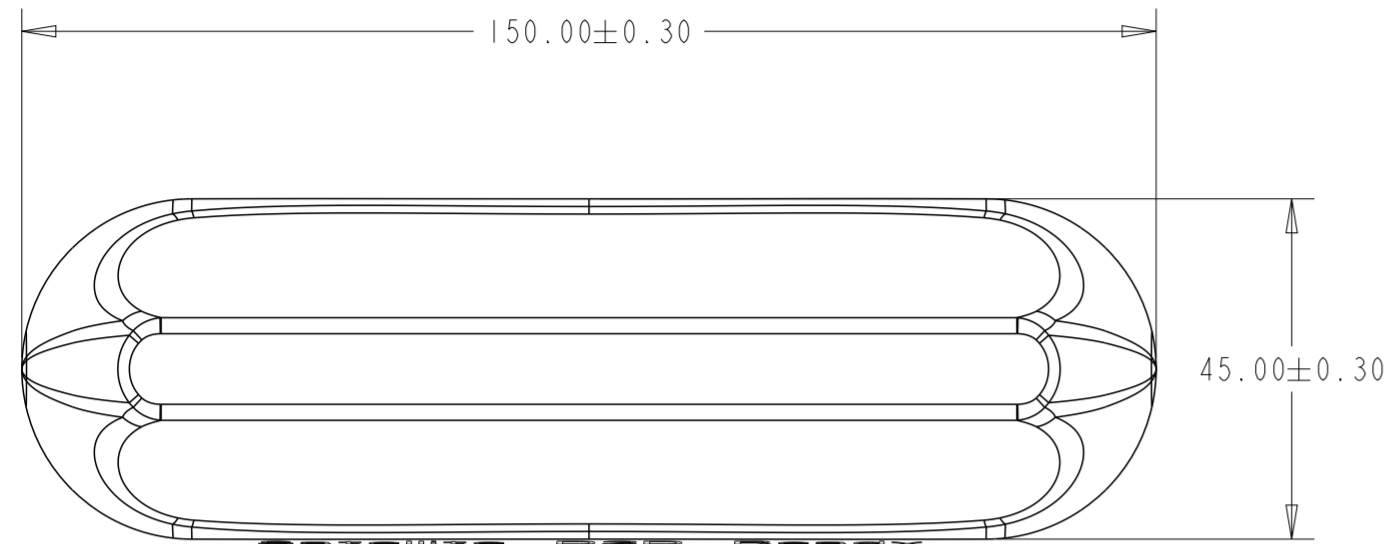
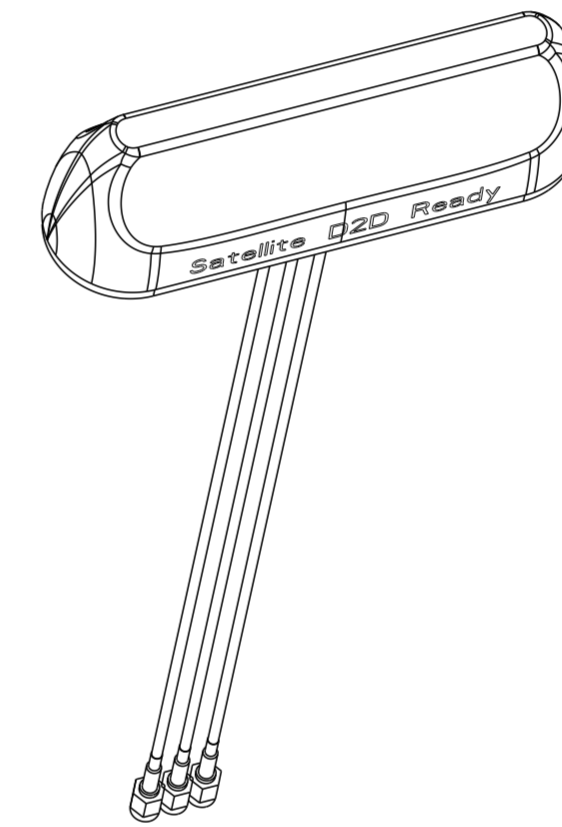
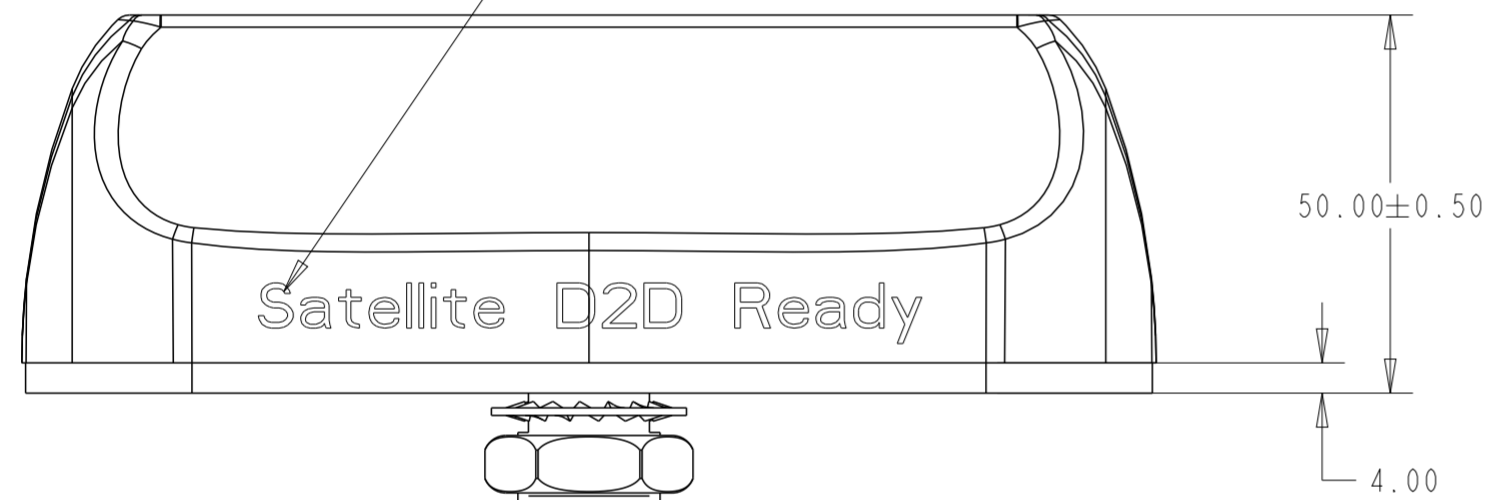


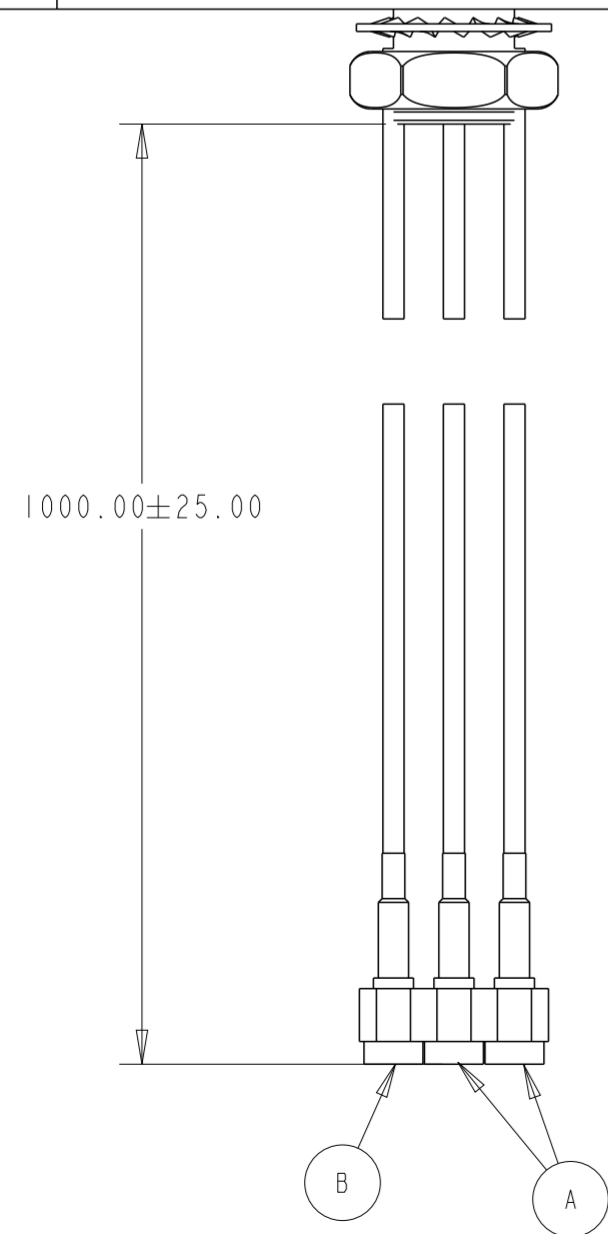
P	LTR	DESCRIPTION	DATE	DWN	APVD
1		Initial Released	7JULY2025	SHAN	HANG



FONT TYPE : Gotham  
 LETTER SPACING : 0  
 COLOR :  
 CMYK C 0 M 52 Y 100 K 0  
 Pantone 144C  
 RGB 242 R 141 G 0 B  
 Hex #f28d00



- Notes:
1. REFER DATASHEET:ANT-DS-L000322-XX
  2. FREQUENCY RANGE: SEE TABLE
  3. PATTERN:OMNI-DIRECTIONAL
  4. POLARIZATION:VERTICAL
  5. MAX. INPUT POWER:20 Watts
  6. OPERATING TEMPERATURE:-40°C to 85°C (-40 TO 185°F)
  7. MATERIAL: OUTDOOR ASA+PC, BLACK



SCALE 1:1

FHT69386GN-100SMAM	3-PORT - 2x 4G/5G, 1x GNSS ANTENNA	GNSS CELLULAR	1559-1606 Mhz 698-960/1690-2690 /3300-3800Mhz	RG174 RG174	1.0m (3'3") 1.0m (3'3")	SMA (B) SMA (A)	L001268-02
FHD69386NN-100SMAM	2-PORT - 2x 4G/5G ANTENNA	CELLULAR	698-960/1690-2690 /3300-3800Mhz	RG174	1.0m (3'3")	SMA (A)	L001268-01
ALIAS	Description	PORTS	Frequency Range	Cable Type (MEETS UN ECE 118)	LENGTH "B"	TERMINATION	TE P/N

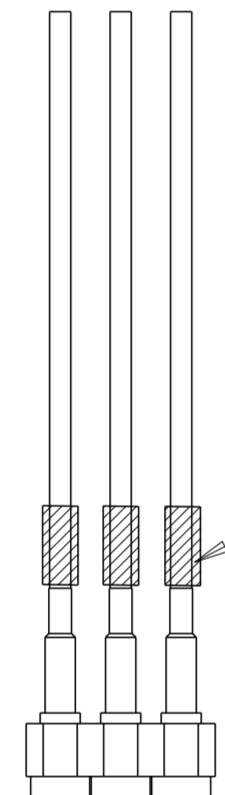
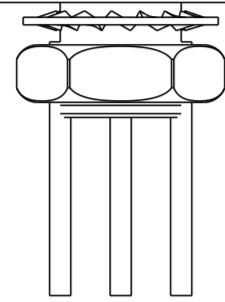
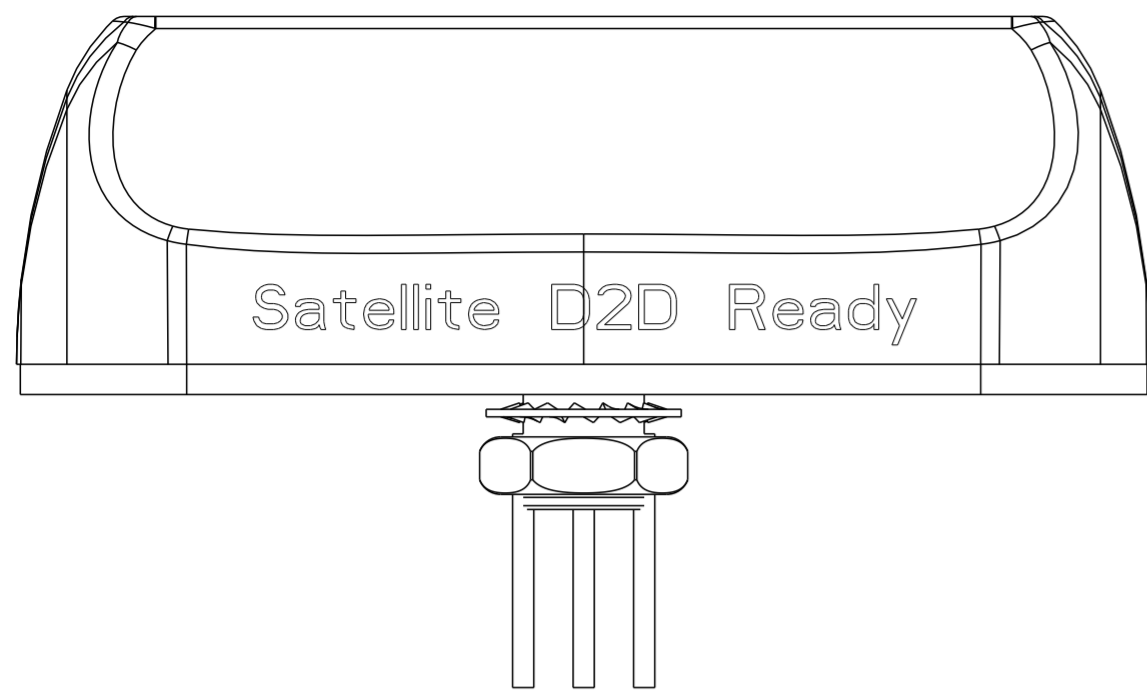
THIS DRAWING IS A CONTROLLED DOCUMENT.

DIMENSIONS:	TOLERANCES UNLESS OTHERWISE SPECIFIED:
mm	
0 PLC	±
1 PLC	±0.1
2 PLC	±0.01
3 PLC	±0.001
4 PLC	±0.0001
ANGLES	±
FINISH	

DWN	21SEP2022
CHK	1ZZUDDIN 22SEP2022
APVD	SJ NOH 22SEP2022
WT NG	
PRODUCT SPEC	
APPLICATION SPEC	
WEIGHT	
CUSTOMER DRAWING	

<b>STE</b> TE Connectivity			
NAME 2/3-PORT - 4G/5G, GNSS ANTENNA			
SIZE	CAGE CODE	DRAWING NO	RESTRICTED TO
A2	00779	C=L001268	-
SCALE	SHEET	OF	REV
1:2	1	3	1

P	LTR	DESCRIPTION	DATE	DWN	APVD
-		SEE SHEET 1	-	-	-



SCALE 1:1

HEAT SHRINK TUBE IDENTIFICATION

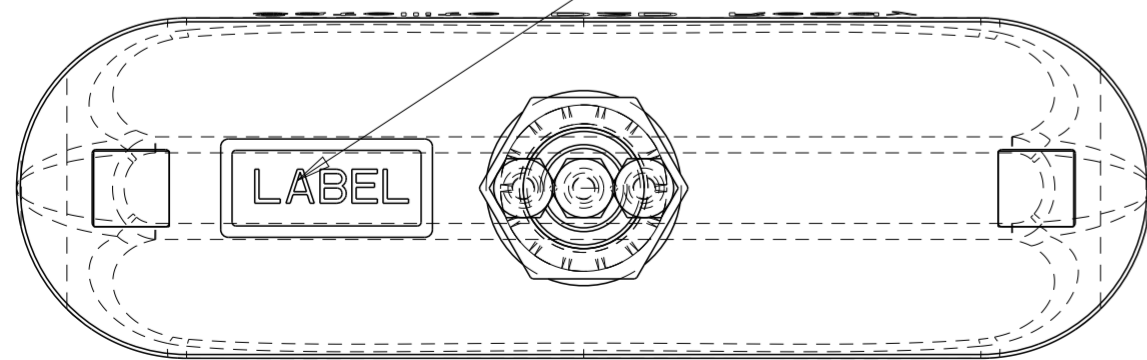
	CELLULAR 1	CELLULAR 2	GNSS
L001268-01	YELLOW	YELLOW	-
L001268-02	YELLOW	YELLOW	WHITE

PRODUCT LABEL



SCALE 2:1

ADHESIVE



TE P/N - ALIAS

FHD69386NN-100SMAM (L001268-01)  
 FHT69386GN-100SMAM (L001268-02)

DATE CODE

YYWWD



DATE CODE (YEAR/WEEK/DAY): 25071

TE LABEL CODE

TE L001268-0XYYWWD000001



SERIAL NUMBER: 000001-999999

DATE CODE (YEAR/WEEK/DAY): 25071

TE P/N: L001268-0X

THIS DRAWING IS A CONTROLLED DOCUMENT.

DWN 21SEP2022  
 CHK 1ZZUDDIN 22SEP2022  
 APVD SJ NOH 22SEP2022  
 WT NG

**TE** TE Connectivity

DIMENSIONS:	TOLERANCES UNLESS OTHERWISE SPECIFIED:
mm	0 PLC ±
	1 PLC ±0.1
	2 PLC ±0.01
	3 PLC ±0.001
	4 PLC ±0.0001
	ANGLES ±
	FINISH

PRODUCT SPEC  
 APPLICATION SPEC

NAME 2/3-PORT - 4G/5G, GNSS ANTENNA

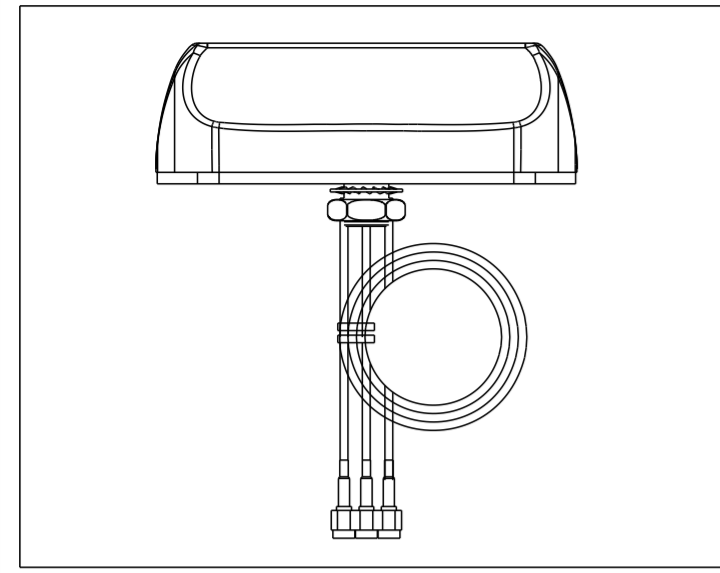
MATERIAL  
 FINISH

WEIGHT  
 CUSTOMER DRAWING

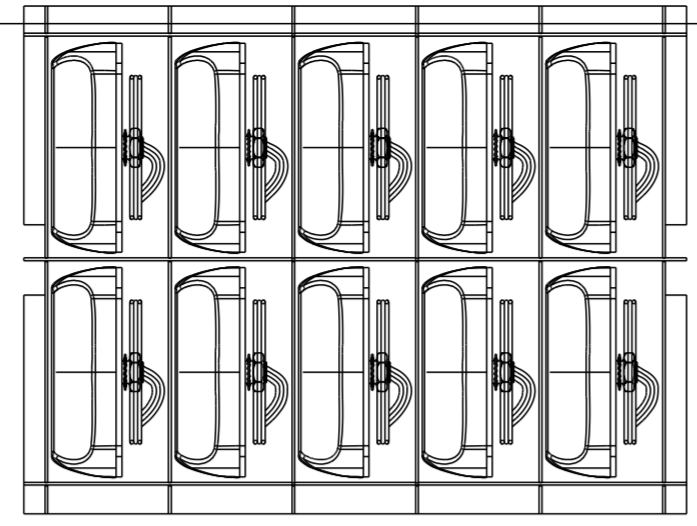
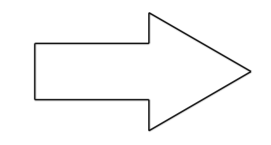
SIZE	CAGE CODE	DRAWING NO	RESTRICTED TO
A2	00779	C=L001268	-

SCALE 1:2 SHEET 2 OF 3 REV 1

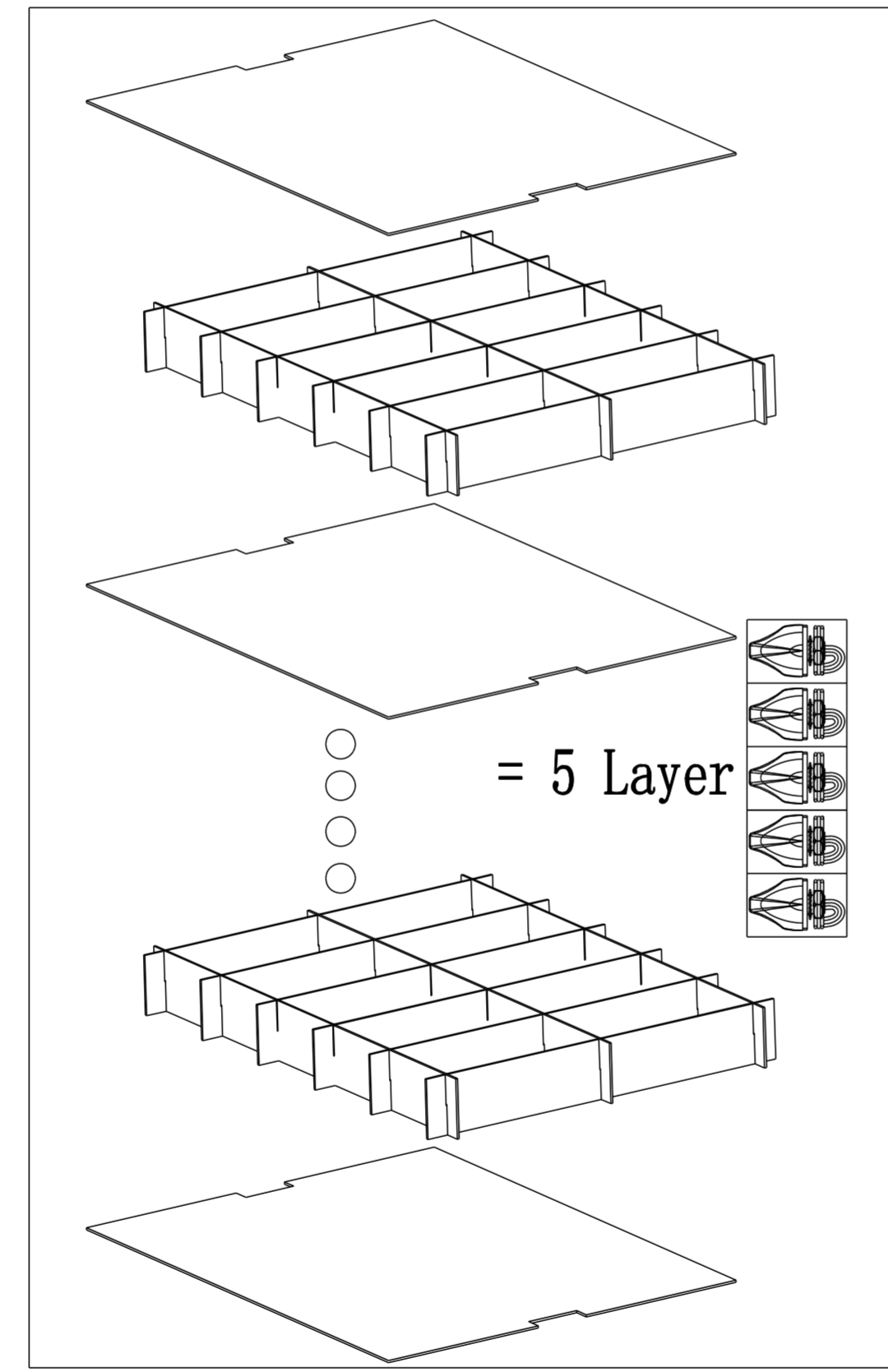
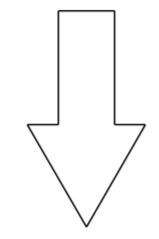
REVISIONS					
P	LTR	DESCRIPTION	DATE	DWN	APVD
-	-	SEE SHEET 1	-	-	-



1PCS/BUBBLE PACK

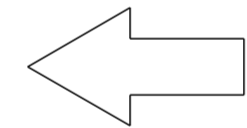


5 PCS\*2 grid=10 PCS/layer



= 5 Layer

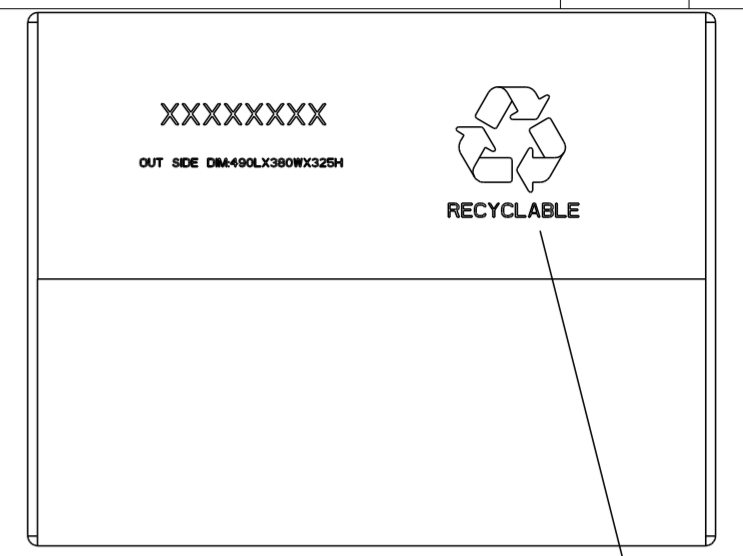
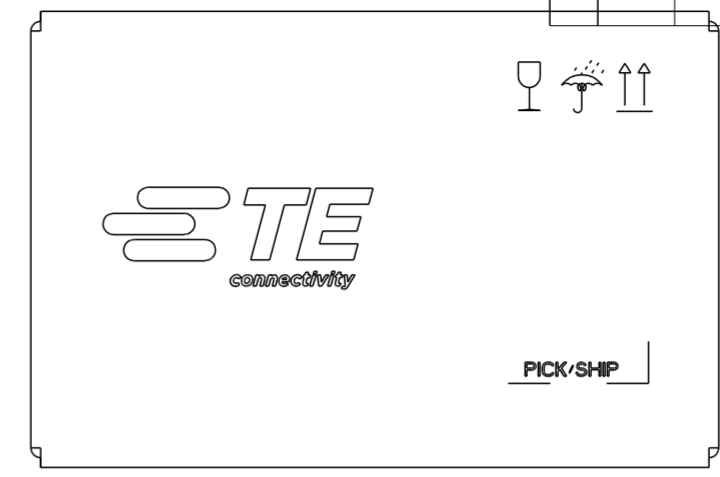
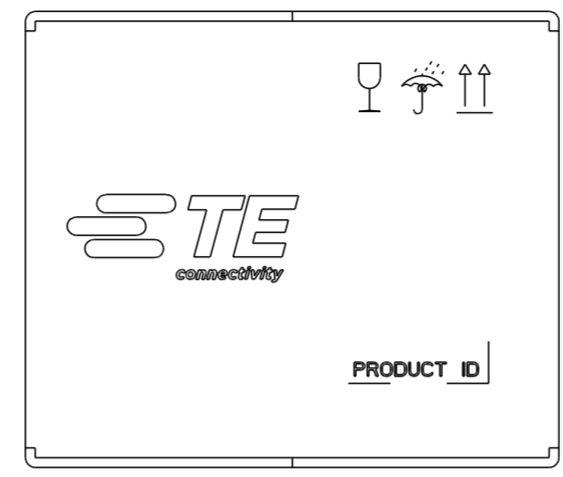
waterproof bag



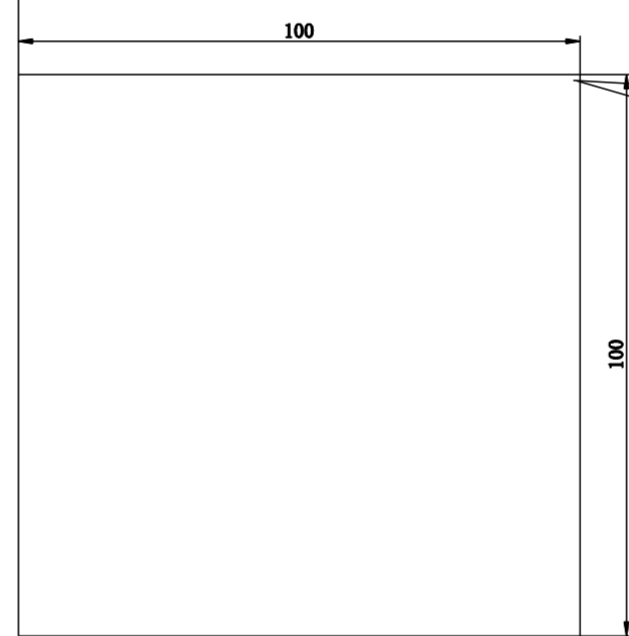
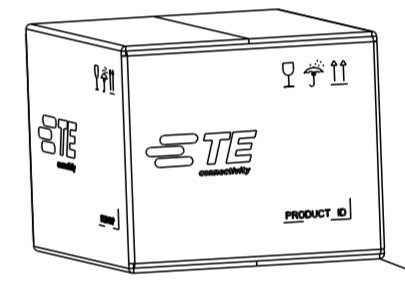
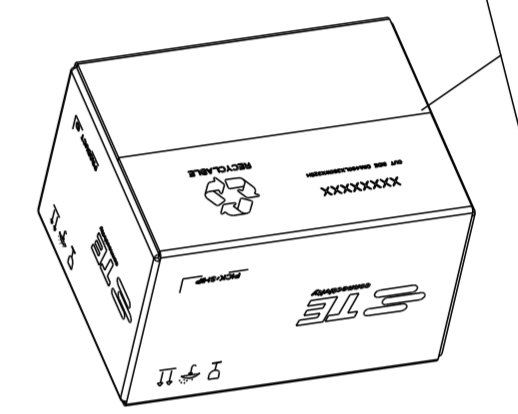
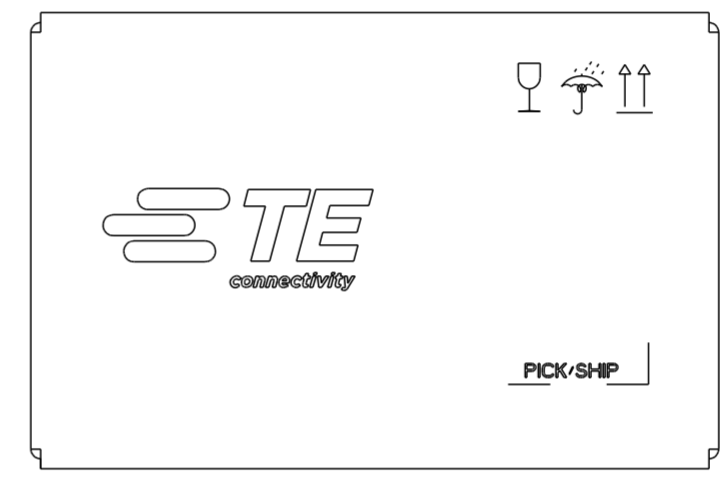
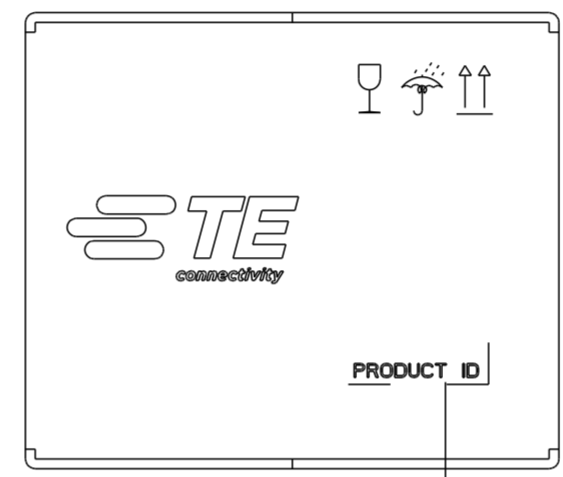
10 PCS/layer\*5=50 PCS/BOX

- NOTE:
- PACKING: 1PCS/BUBBLE PACK  
BUBBLE PACK SIZE: 200x150mm
  - 50PCS/CARTON + BOX LABEL
  - N.W 9.5 KGS; (L001268-01)  
G.W 10.7 KGS; (L001268-01)
  - N.W 10.94 KGS; (L001268-02)  
G.W 11.94 KGS; (L001268-02)
  - KNIFE CARD SIZE: 30xL362x55mm
  - KNIFE CARD SIZE: 15xL472x55mm
  - COVER SIZE: 6xL472x362mm
  - CARTON SIZE: L490xW380xH325mm  
MARK PRINT COLOR: BLACK
  - LABEL: L25x15mm+L100xW100mm  
WHITE BOTTOM, BLACK WORD  
PRINT WORD DESCRIPTION BUSSINESS OFFER

### SIDE MARK

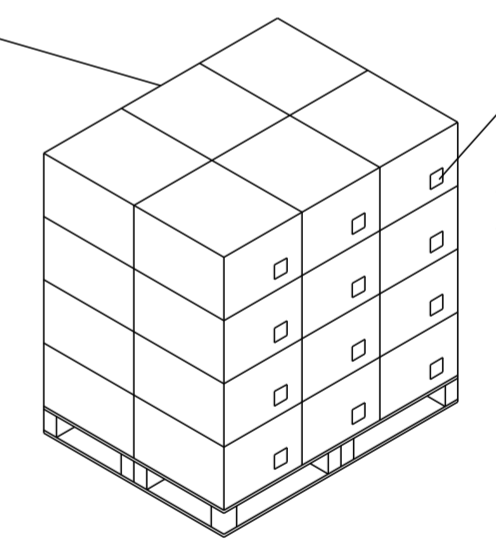


### SHIPPING MARK



SEE TE SAP SYSTEM LABEL

LABEL SURFACE



LABEL SURFACE

pallet 1200\*1000\*150  
layout: 3\*2 (Pile H<1.6m)

THIS DRAWING IS A CONTROLLED DOCUMENT.		DWN IZZUDDIN 21SEP2022			
DIMENSIONS: mm		CHK S.J NOH 22SEP2022			
TOLERANCES UNLESS OTHERWISE SPECIFIED:		APVD WT NG 22SEP2022	NAME 2/3-PORT - 4G/5G, GNSS ANTENNA		
0 PLC ± 1 PLC ±0.1 2 PLC ±0.01 3 PLC ±0.001 4 PLC ±0.0001 ANGLES ± FINISH		PRODUCT SPEC -	SIZE A2		
MATERIAL -		APPLICATION SPEC -	CAGE CODE 00779	DRAWING NO C=L001268	RESTRICTED TO -
		WEIGHT -	SCALE 1:2 SHEET 3 OF 3 REV 1		
		CUSTOMER DRAWING			