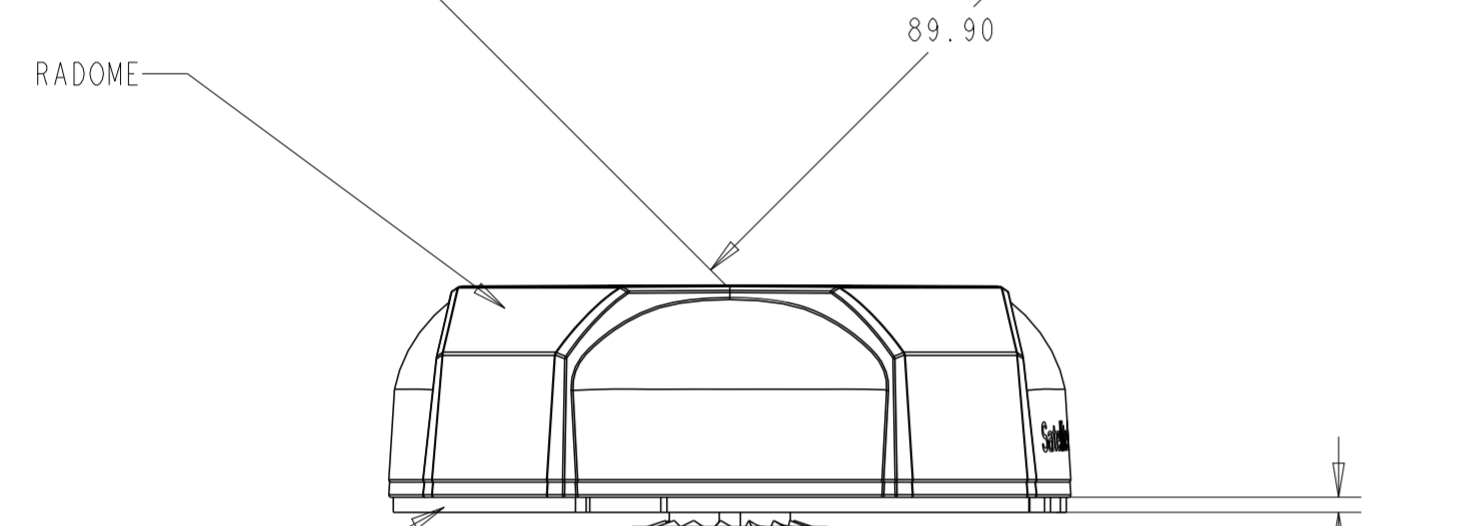
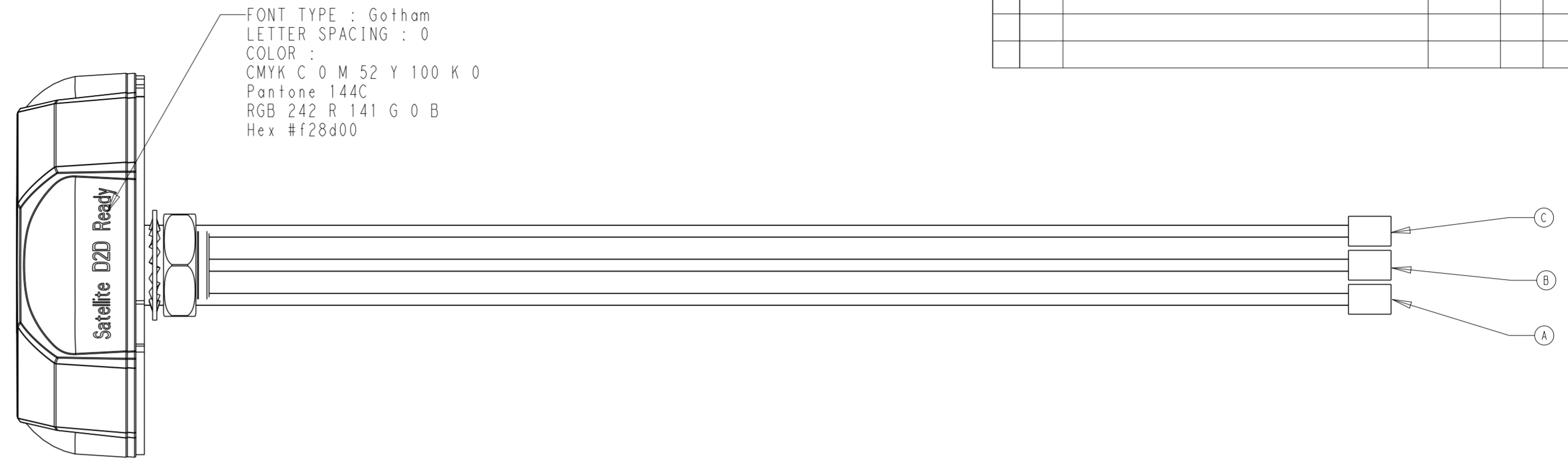
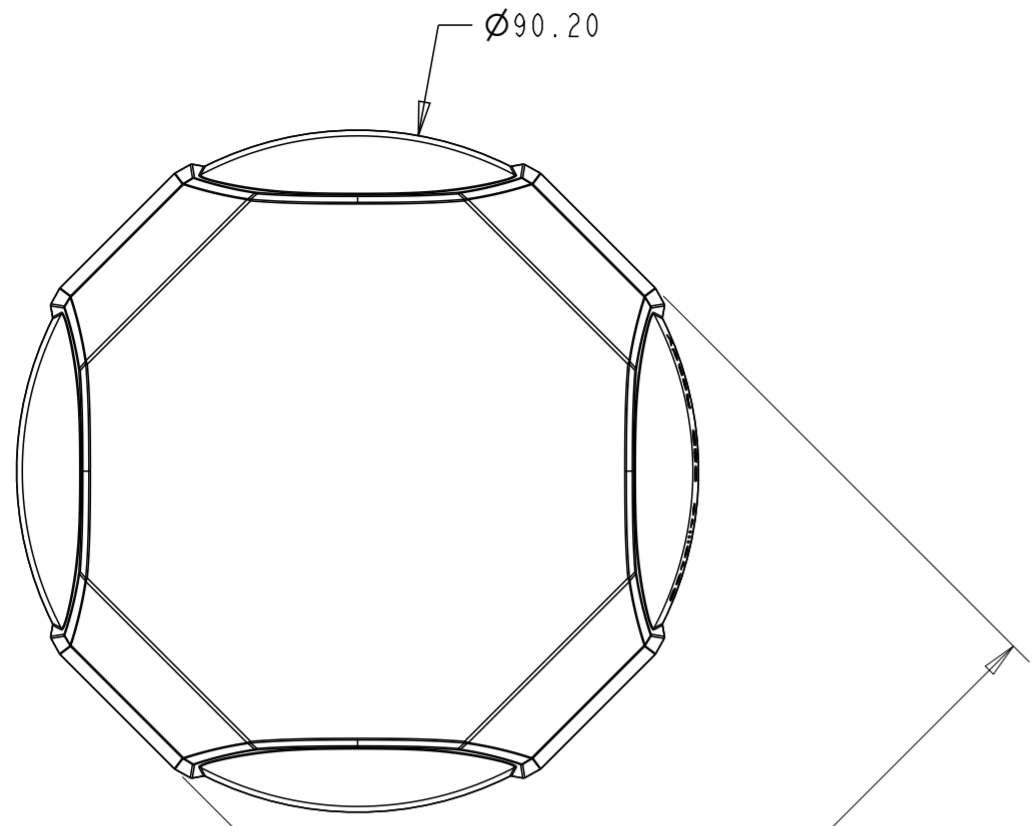
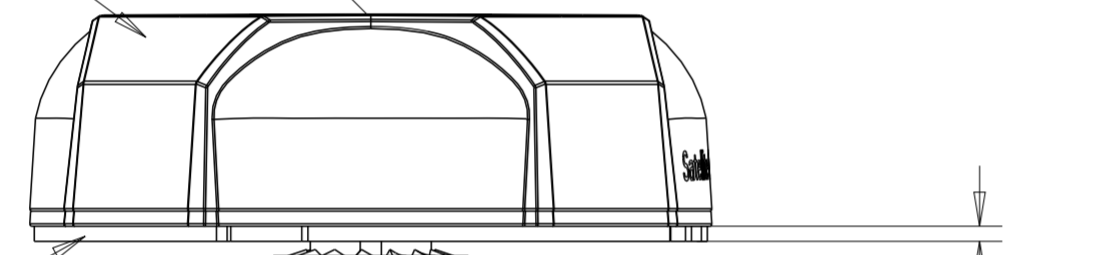


REVISIONS

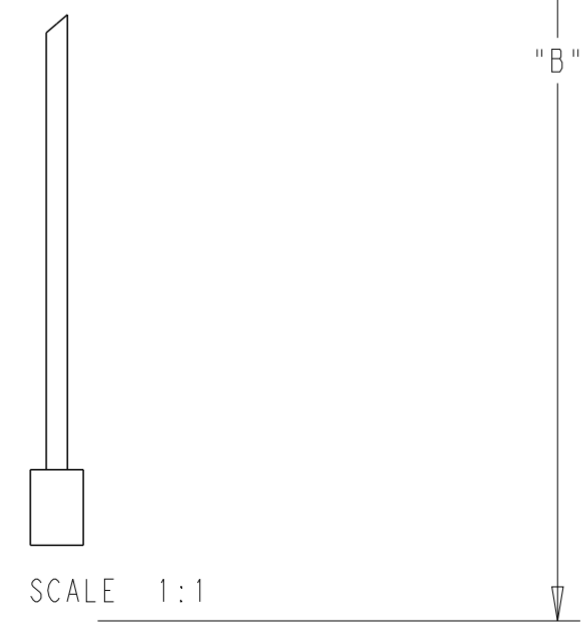
P	LTR	DESCRIPTION	DATE	DWN	APVD
1		Initial Released	07JUL2025	SHAN	HANG



- NOTES:
1. REFER DATASHEET: ANT-DS-L000321
  2. FREQUENCY RANGE: SEE TABLE
  3. PATTERN: OMNI-DIRECTIONAL
  4. POLARIZATION: LINEAR
  5. MAX. INPUT POWER: 20 Watts
  6. OPERATING TEMPERATURE: -40°C to 85°C (-40 TO 185°F)
  7. MATERIAL: OUTDOOR ASA+PC, BLACK



\*\*SPLIT NUT FOR L000321-06



ALIAS	Description	Ports	Frequency Range	Cable Type (MEETS UN ECE 118)	LENGTH "B"	TERMINATION	TE P/N
LPT69596GT-100A	3-PORT - WIFI, 4G/5G, GNSS ANTENNA	CELLULAR	698-750/750-850/850-960/1690-2690/3300-3800Mhz	RG174	1.0m (3'3")	SMA (C)	L001269-01
		WIFI	2400-2500Mhz	RG174	1.0m (3'3")	RP-SMA (B)	
		GNSS	1559-1606Mhz	RG174	1.0m (3'3")	SMA (A)	

THIS DRAWING IS A CONTROLLED DOCUMENT.

DWN	IZZUDDIN	18OCT22
CHK	SJ NOH	18OCT22
APVD	WT NG	18OCT22

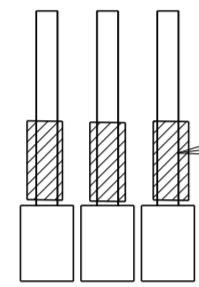
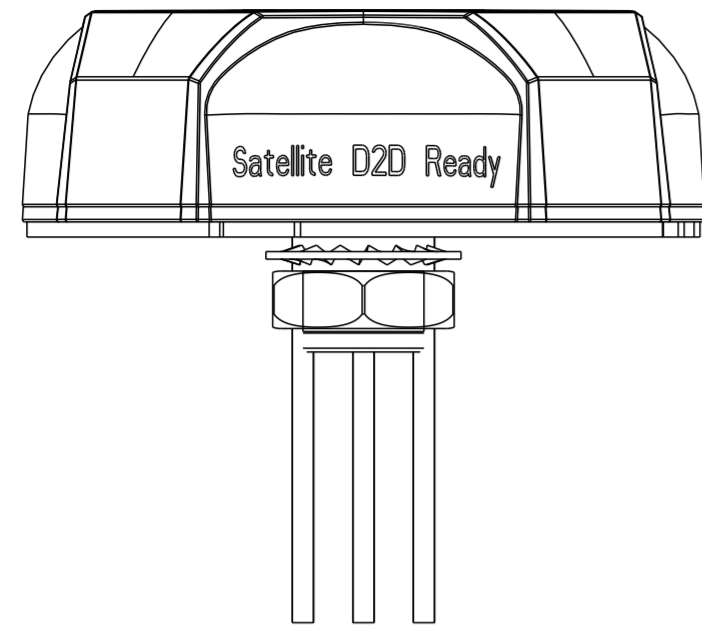
**STE** TE Connectivity

NAME: 3-PORT - WIFI, 4G/5G, GNSS ANTENNA

SIZE	CAGE CODE	DRAWING NO	RESTRICTED TO
A2	00779	C=L001269-01	-

SCALE 1:2 SHEET 1 OF 3 REV 1

P	LTR	DESCRIPTION	DATE	DWN	APVD
-		SEE SHEET 1	-	-	-

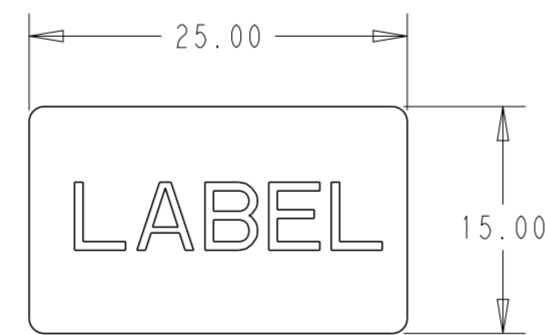


SCALE 1:1

HEAT SHRINK TUBE IDENTIFICATION

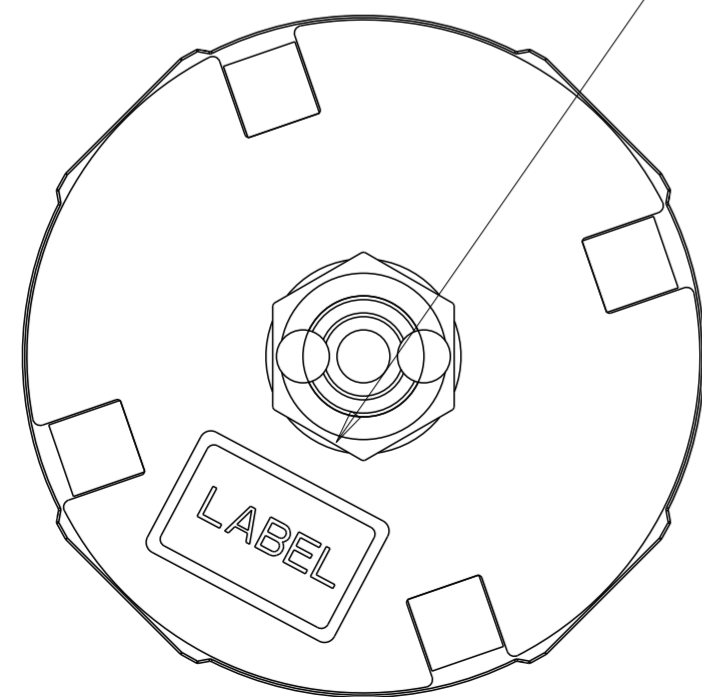
	CELLULAR	WIFI	GNSS
HST COLOUR	YELLOW	RED	WHITE

PRODUCT LABEL



SCALE 2:1

ADHESIVE



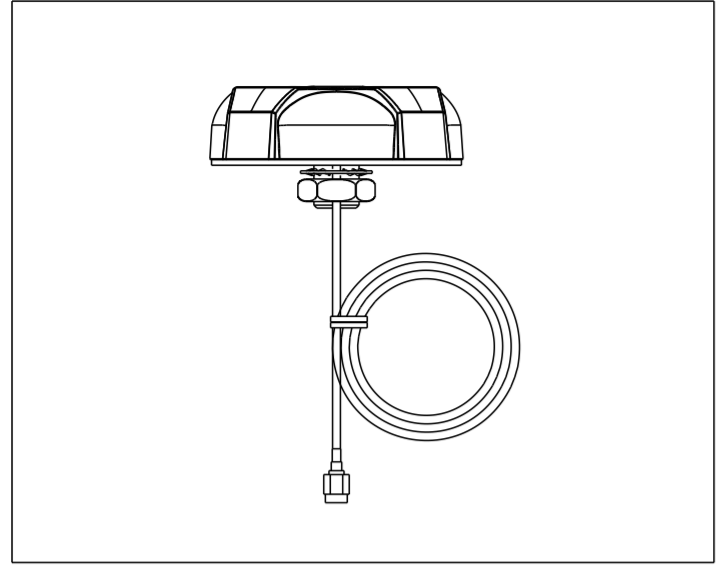
TE P/N - ALIAS  
LPXXX6X-XXXXA ( SEE TABLE SHEET 1 )

DATE CODE  
YYWWD  
DATE CODE (YEAR/WEEK/DAY): 25071

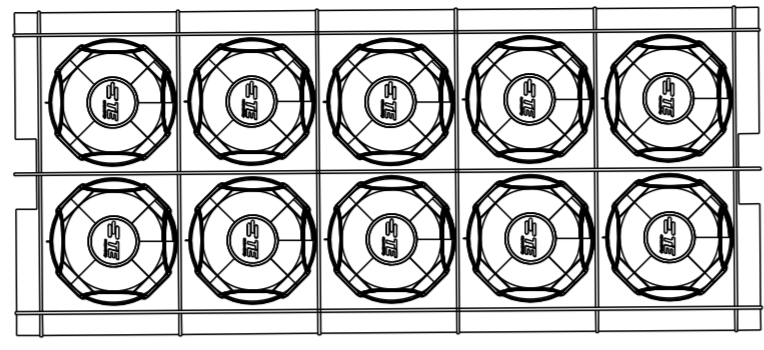
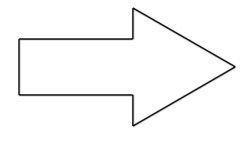
TE LABEL CODE  
TE L001269-0XYYWWD000001  
SERIAL NUMBER: 000001-999999  
DATE CODE (YEAR/WEEK/DAY): 25071  
TE P/N: L001269-0X ( SEE TABLE SHEET 1 )

THIS DRAWING IS A CONTROLLED DOCUMENT.		DWN IZZUDDIN 18OCT22	TE Connectivity	
DIMENSIONS: mm		CHK SJ NOH 18OCT22		
TOLERANCES UNLESS OTHERWISE SPECIFIED:		APVD WT NG 18OCT22	NAME 3-PORT - WIFI, 4G/5G, GNSS ANTENNA	
0 PLC ±- 1 PLC ±0.1 2 PLC ±0.01 3 PLC ±0.001 4 PLC ±0.0001 ANGLES ±- FINISH -		PRODUCT SPEC -	APPLICATION SPEC -	RESTRICTED TO -
MATERIAL SEE NOTE		WEIGHT -	SIZE A2	CAGE CODE 00779
		CUSTOMER DRAWING	DRAWING NO L001269-01	SCALE 1:2 SHEET 2 OF 3 REV 1

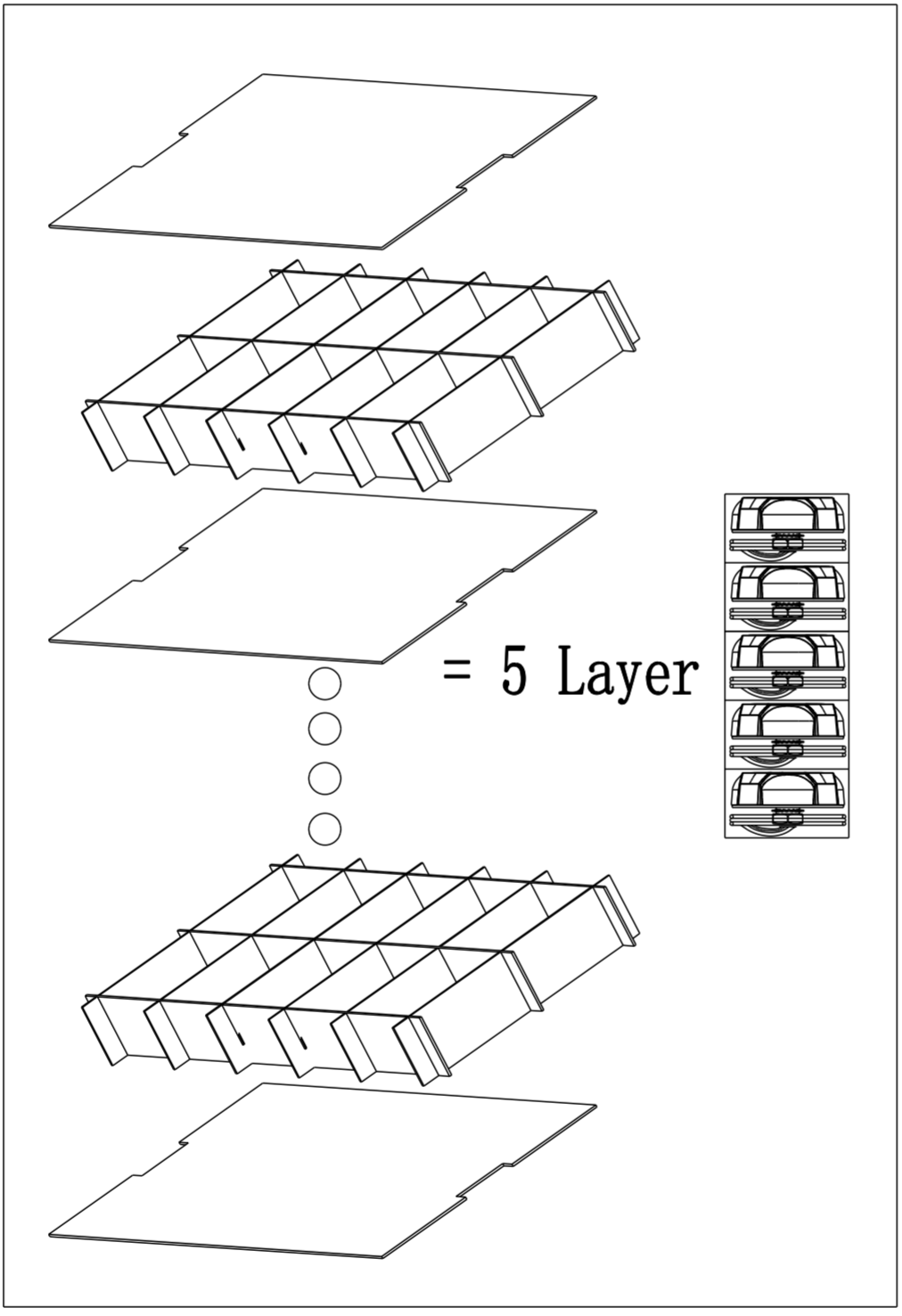
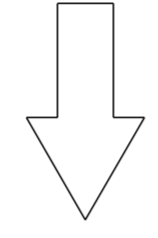
REVISIONS					
P	LTR	DESCRIPTION	DATE	DWN	APVD
-	-	SEE SHEET 1	-	-	-



1PCS/BUBBLE PACK



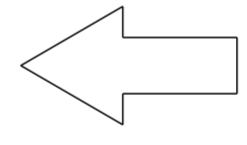
5 PCS\*2 grid=10 PCS/layer



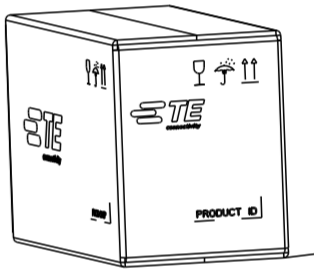
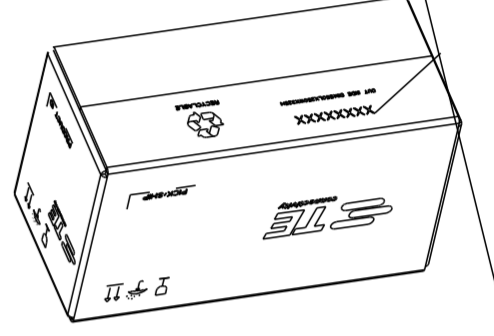
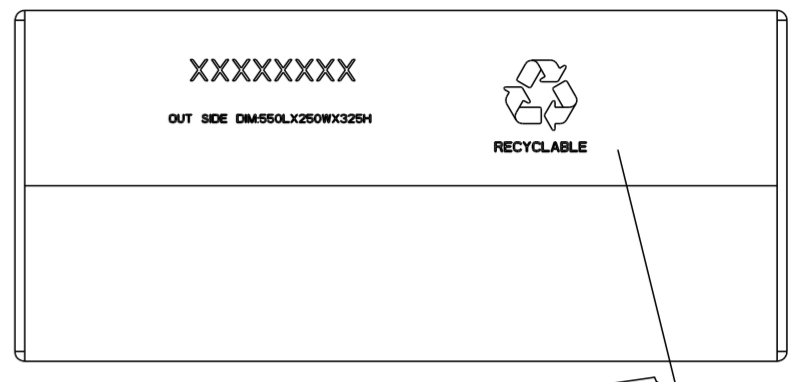
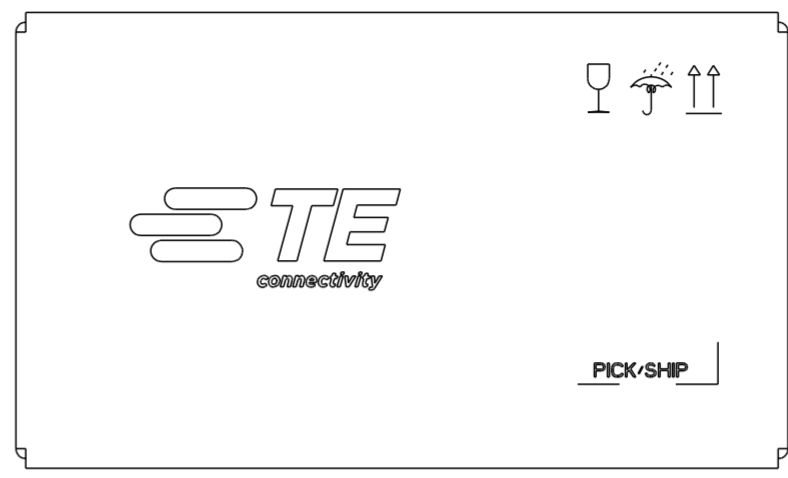
waterproof bag

= 5 Layer

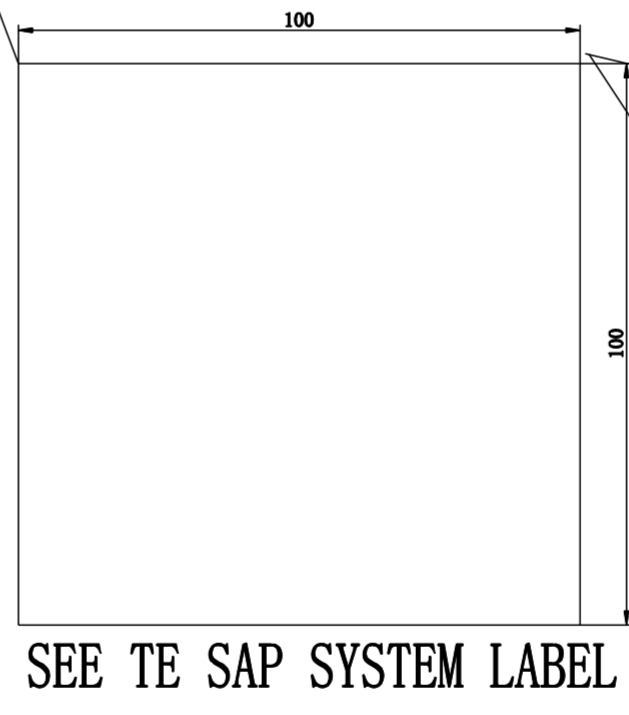
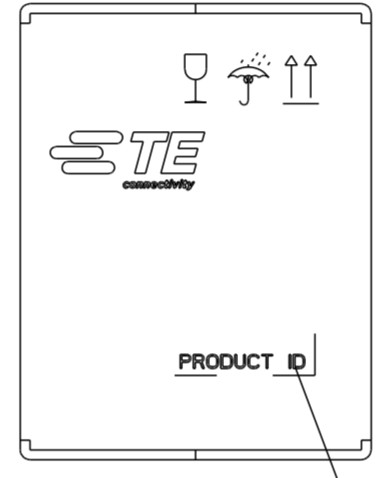
10 PCS/layer\*5=50 PCS/BOX



### SIDE MARK

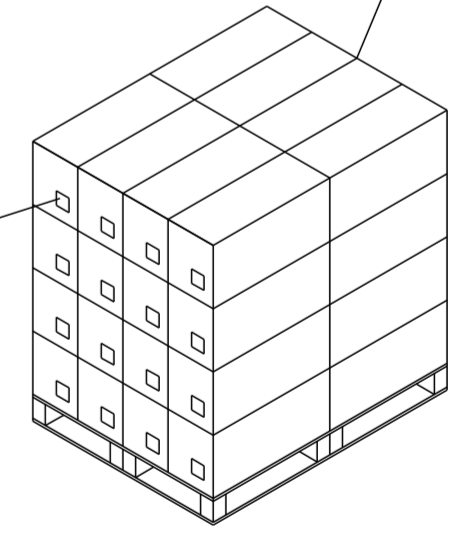


### SHIPPING MARK



LABEL SURFACE

LABEL SURFACE



pallet 1200\*1000\*150  
layout: 2\*4 (Pile H<1.6m)

- NOTE:
1. PACKING: 1PCS/BUBBLE PACK  
BUBBLE PACK SIZE: 150x100mm
  2. 50PCS/CARTON + BOX LABEL
  3. N.W 9.66 KGS
  4. G.W 10.41 KGS
  5. KNIFE CARD SIZE: 15xL532x55mm
  6. KNIFE CARD SIZE: 30xL232x55mm
  7. COVER SIZE: 6xL532x232mm
  8. CARTON SIZE: L550xW250xH325mm  
MARK PRINT COLOR: BLACK
  9. LABEL: L25x15mm+L100xW100mm  
WHITE BOTTOM, BLACK WORD  
PRINT WORD DESCRIPTION BUSSINESS OFFER

THIS DRAWING IS A CONTROLLED DOCUMENT.		DWN	IZZUDDIN	18OCT22		TE Connectivity			
DIMENSIONS: mm		CHK	SJ NOH	18OCT22		NAME 3-PORT - WIFI, 4G/5G, GNSS ANTENNA			
TOLERANCES UNLESS OTHERWISE SPECIFIED:		APVD	WT NG	18OCT22		SIZE	CAGE CODE	DRAWING NO	RESTRICTED TO
0 PLC ±	1 PLC ±0.1	PRODUCT SPEC	-	-	A2	00779	C=L001269-01	-	
2 PLC ±0.01	3 PLC ±0.001	APPLICATION SPEC	-	-	SCALE	1:2	SHEET	3 OF 3	
4 PLC ±0.0001	ANGLES ±	WEIGHT	-	-	CUSTOMER DRAWING	REV	1	1	
FINISH	-	MATERIAL		SEE NOTE					