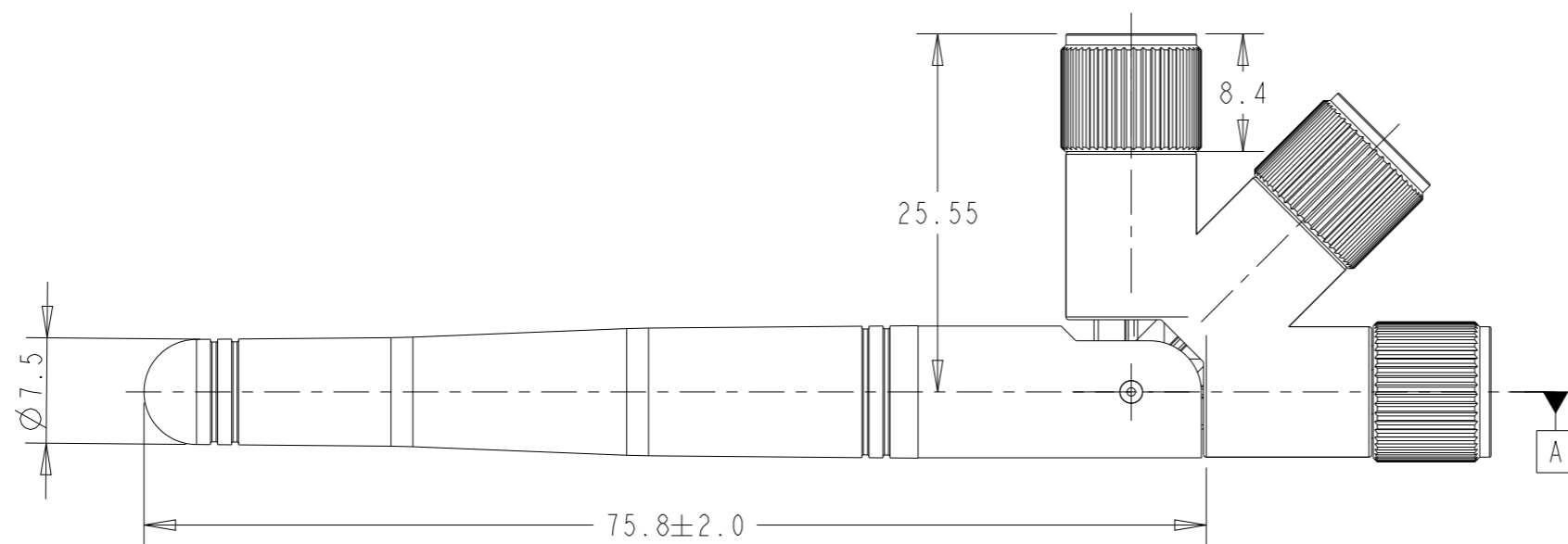
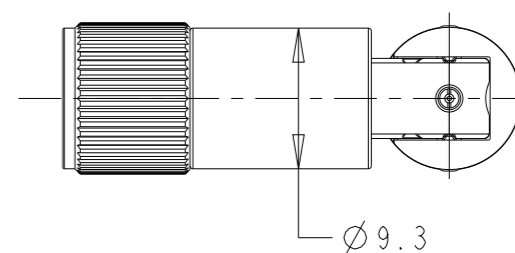
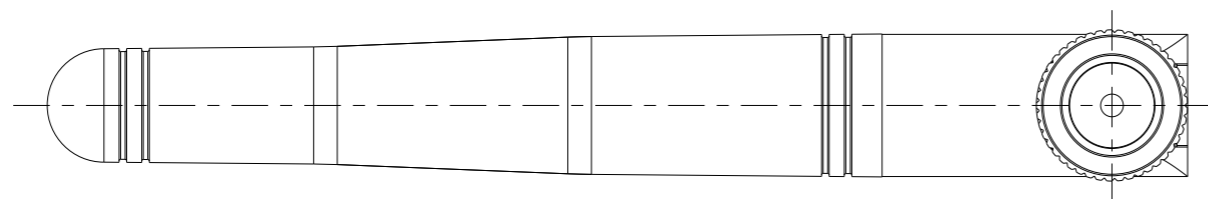


REVISIONS

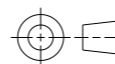
P	LTR	DESCRIPTION	DATE	DWN	APVD
	A	CHANGE TO TE DRAWING FORMAT	10JUL2025	PCN	HCY



PANGKOR MULTI BAND	2.4-GHz 2.5GHz 4.9GHz-6.0GHz	50ohms
--------------------	---------------------------------	--------

THIS DRAWING IS A CONTROLLED DOCUMENT.

DIMENSIONS:
mm



MATERIAL
N/A

TOLERANCES UNLESS OTHERWISE SPECIFIED:

- 0 PLC ±
- 1 PLC ±0.3
- 2 PLC ±0.13
- 3 PLC ±
- 4 PLC ±
- ANGLES ±30'
- FINISH

DWN PCN 10JUL2025

CHK YJ TEOH 10JUL2025

APVD HCY 10JUL2025

PRODUCT SPEC
N/A

APPLICATION SPEC
N/A

WEIGHT
N/A

CUSTOMER DRAWING



TE Connectivity

NAME
Dipol, WTS, BLACK, RSMAM 802.
11abg, 2dBi, BCr

SIZE A3	CAGE CODE 00779	DRAWING NO G-MAF94051	RESTRICTED TO -
------------	--------------------	--------------------------	--------------------

SCALE 2:1 SHEET 1 OF 1 REV A