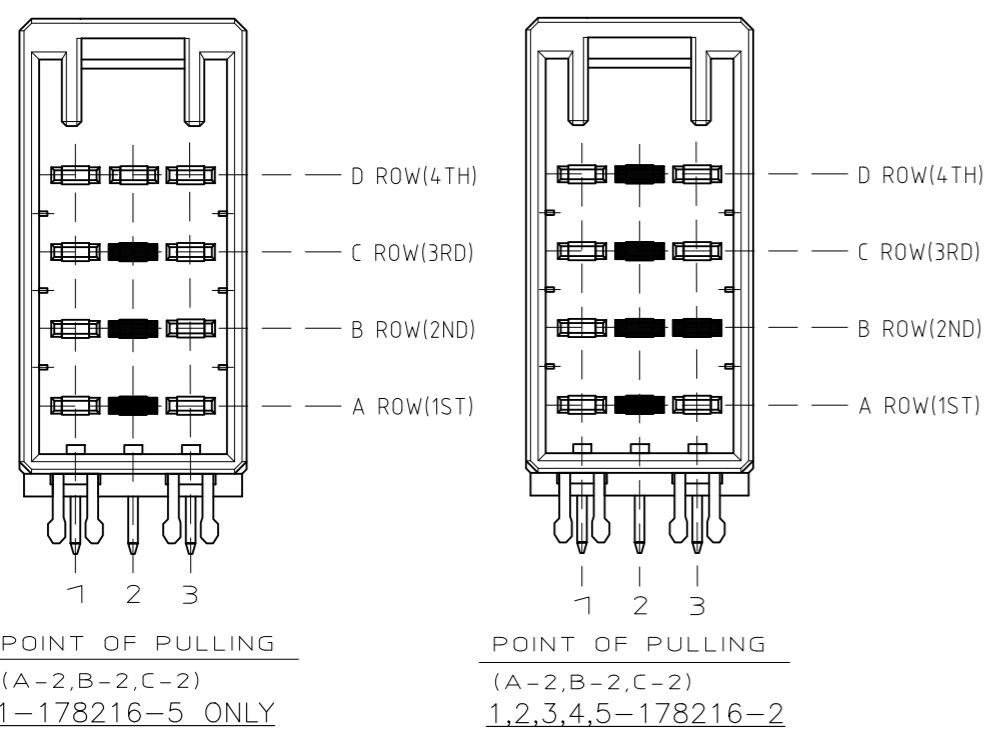
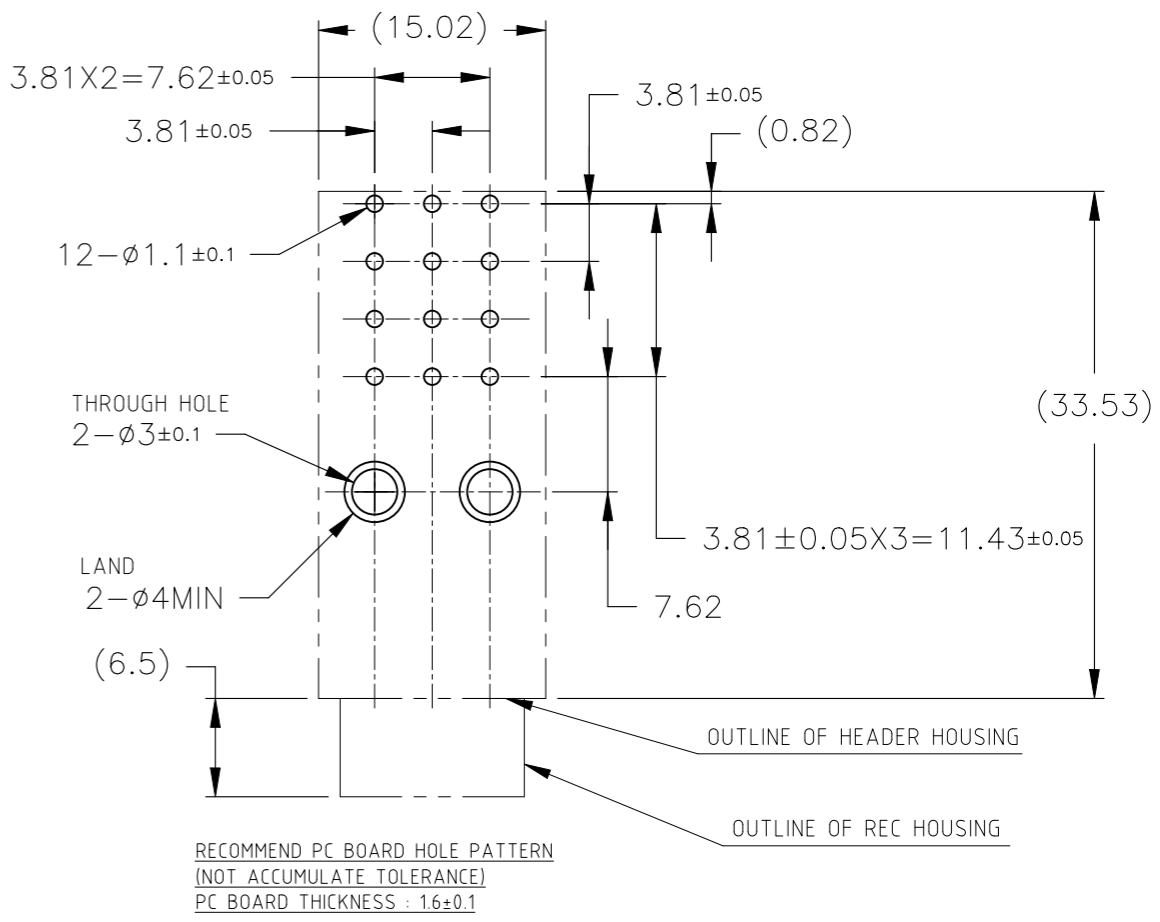
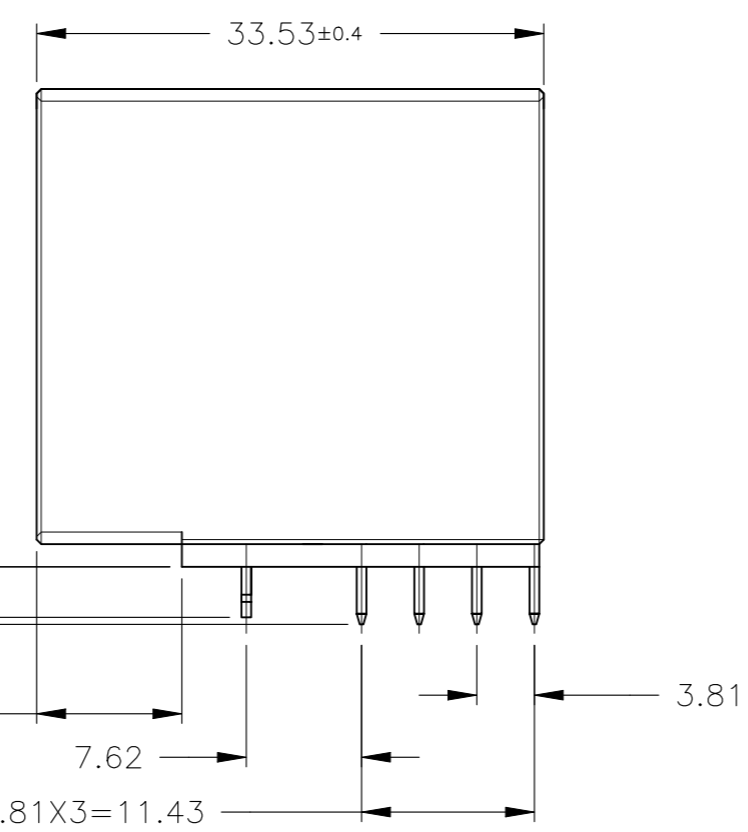
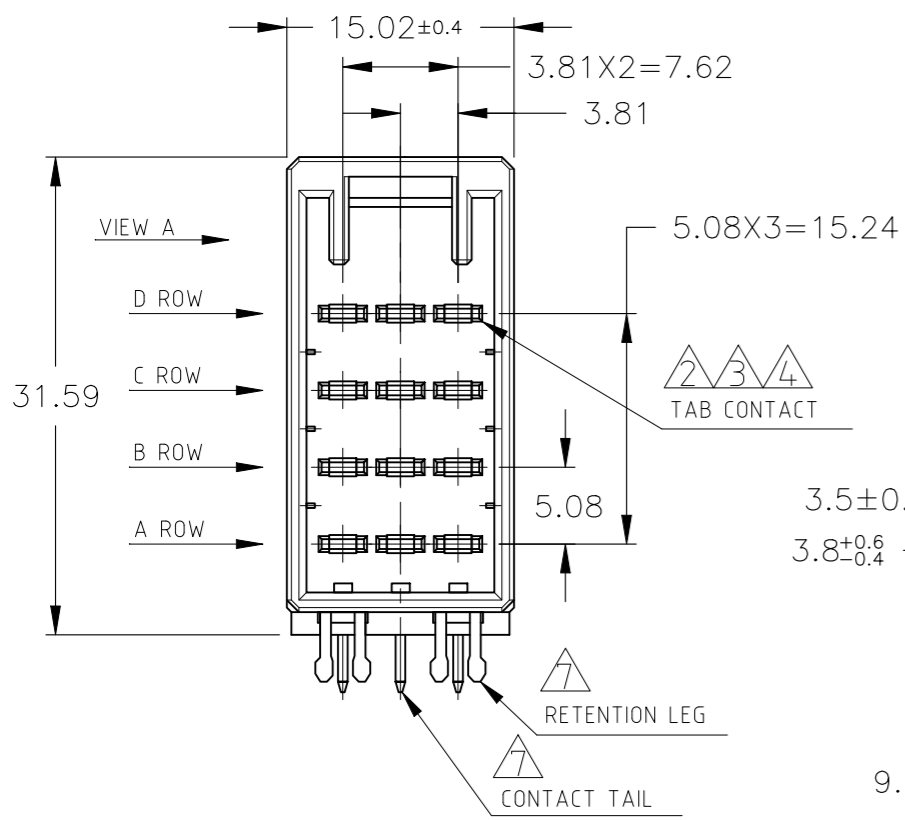
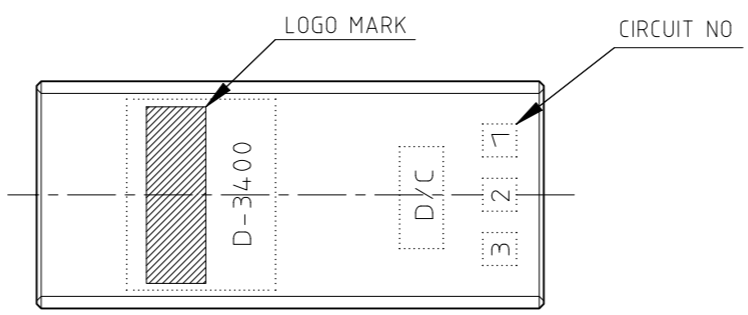
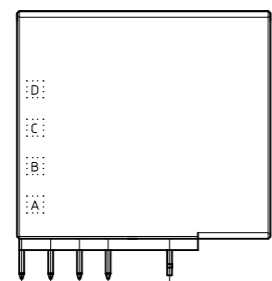


REVISIONS					
P	LTR	DESCRIPTION	DATE	DWN	APVD
	G	REVISED PER ECR-25-250800	03JAN2025	FZ	RB



NOTES:  
 ▲ MATERIAL  
 HOUSING: GLASS FIELD POLYESTER  
 CONTACT: COPPER ALLOY  
 RETENTION LEG: COPPER ARROY  
 ▲ FINISH(CONTACT AREA): 0.38µm PdNi & Au PLATING OVER NICKEL  
 ▲ FINISH(CONTACT AREA): 0.76µm PdNi & Au PLATING OVER NICKEL  
 ▲ FINISH(CONTACT ALL AREA): 2.0µmMIN TIN PLATING OVER NICKEL  
 ▲ FINISH(RETENTION LEG AND CONTACT TAIL): TIN-LEAD PLATING-6 PRODUCT SPEC.108-5349  
 ▲ FINISH(RETENTION LEG AND CONTACT TAIL): TIN PLATING OVER NICKEL

▲ ▲	-	9-178216-2	TRAY
▲ ▲	-	178216-5	TUBE
▲ ▲	-	178216-3	TUBE
▲ ▲	-	178216-2	TUBE
▲ ▲	A-2,B-2,C-2	1-178216-5	TUBE
▲ ▲	A-2	1-178216-2	TUBE
▲ ▲	B-2	2-178216-2	TUBE
▲ ▲	C-2	3-178216-2	TUBE
▲ ▲	D-2	4-178216-2	TUBE
▲ ▲	B-3	5-178216-2	TUBE
FINISH	POINT OF PULLING	PART NO	PACKING TYPE

THIS DRAWING IS A CONTROLLED DOCUMENT.

DIMENSIONS: mm	TOLERANCES UNLESS OTHERWISE SPECIFIED: 0-PLC ± - 1-PLC ± LESS 10 ; ±0.3 2-PLC ± -10<, <=30 ; ±0.4 3-PLC ± -30<, <=100 ; ±0.45 4-PLC ± - ANGLES ± 3°	DWN H.OSABE 02JUN2022	
		CHK T.SHIMOYASU 02JUN2022	
		APVD T.SHIMOYASU 02JUN2022	
		NAME -	
MATERIAL SEE NOTE	FINISH SEE NOTE	PRODUCT SPEC SEE NOTE	DYNAMIC D-3400 12P(H) HDR ASSY
		APPLICATION SPEC -	SIZE A3
		WEIGHT 13.42g	CAGE CODE 00779
		CUSTOMER DRAWING	DRAWING NO C-178216
			RESTRICTED TO -
		SCALE 2:1	SHEET 1 OF 1
			REV G