

THIS DRAWING IS UNPUBLISHED.

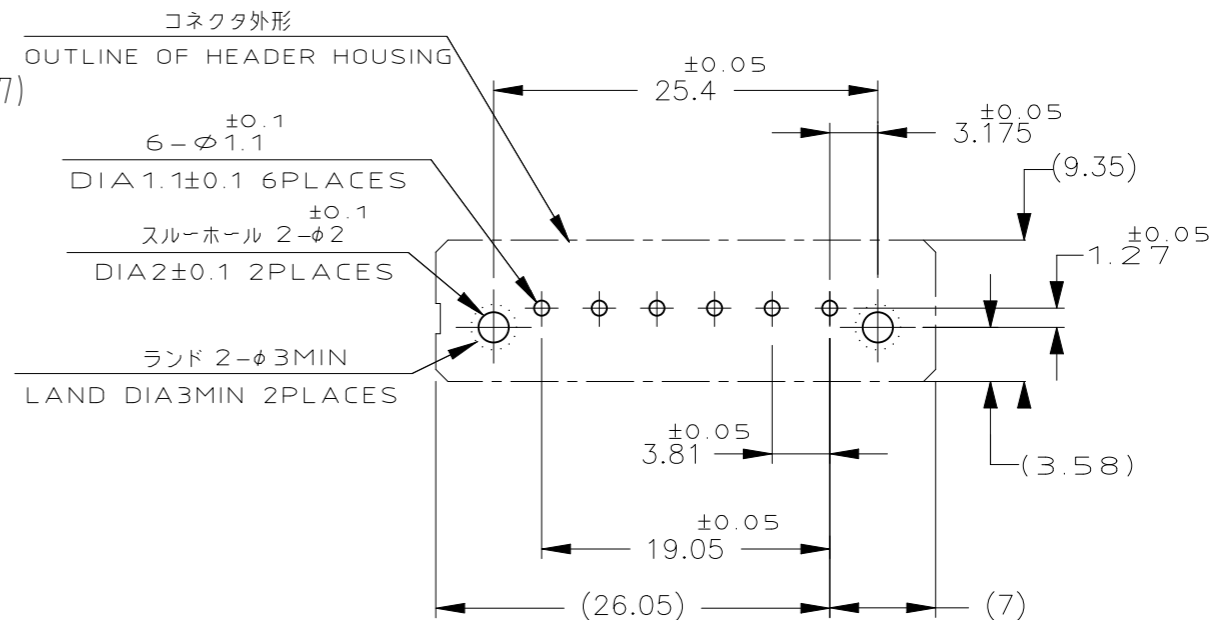
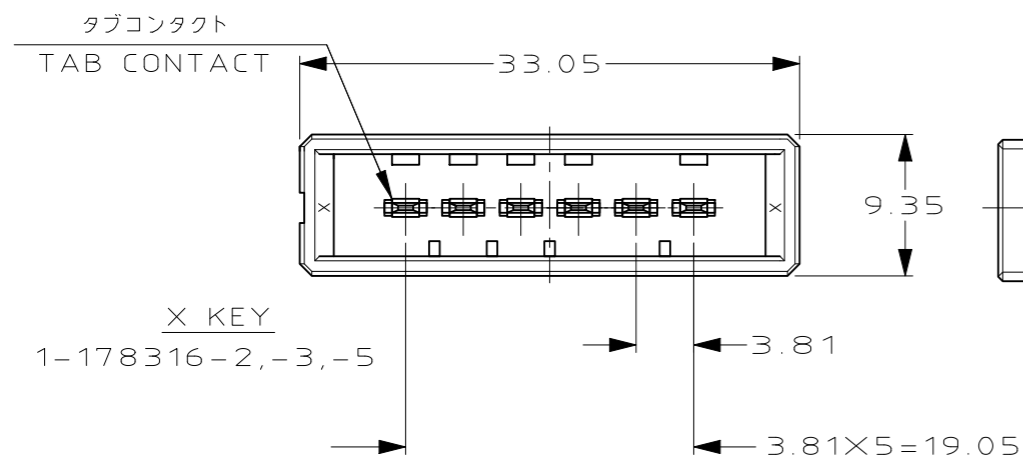
RELEASED FOR PUBLICATION

ALL RIGHTS RESERVED.

© COPYRIGHT - -

REVISIONS

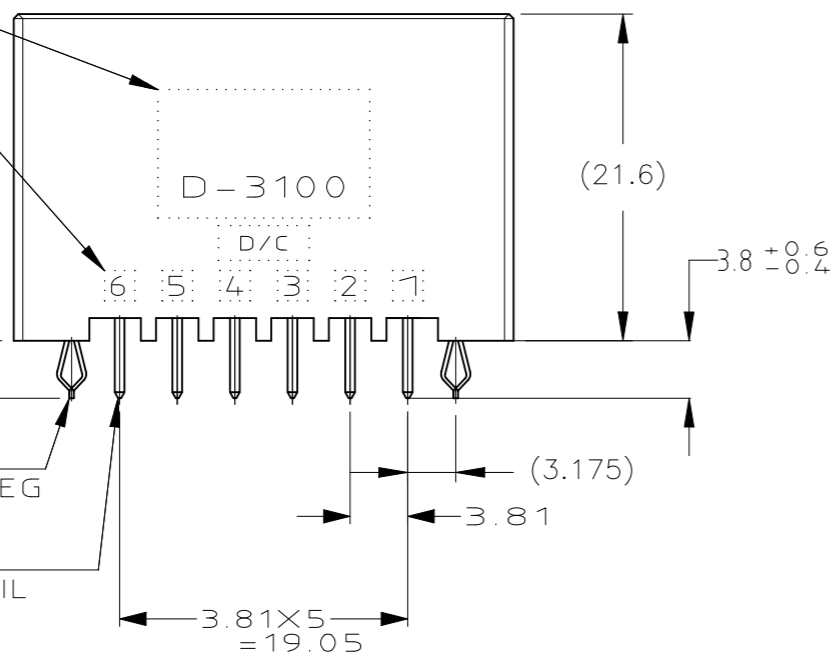
P	LTR	DESCRIPTION	DATE	DWN	APVD
D		REVISED PER ECR-25-250800	03JAN2025	F.Z	R.B



会社ロゴ
COMPANY LOGO

シリーズマーク
SERIES MARK

回路番号
CIRCUIT NO



推奨基板取付け穴寸法

PC 基板厚: 1.6±0.1
(非累積公差)
(コネクタ搭載面)

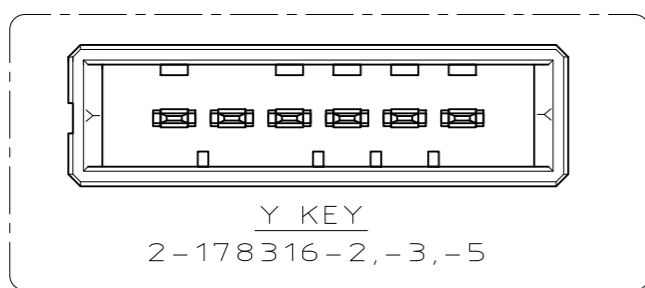
RECOMEND PC BOARD HOLE PATTERN

PC BOARD THICKNESS: 1.6±0.1
(NOT ACCUMULATE TOLERANCE)
(CONNECTOR MOUNT SIDE)

- 1. MATERIAL: HOUSING: GLASS FILLED THERMO PLASTIC, POLYESTER
CONTACT: COPPER ALLOY
RETENTION LEG: COPPER ALLOY
- 2. FINISH (CONTACT AREA): 0.38μm PdNi & Au
PLATING OVER NICKEL
- 3. FINISH (CONTACT AREA): 0.76μm PdNi & Au
PLATING OVER NICKEL
- 4. FINISH (CONTACT AREA): 2.0 μm MIN TIN
PLATED OVER NICKEL
- 6. FINISH (RETENTION LEG): TIN PLATED
(CONTACT TAIL) OVER NICKEL

GENERAL TOLERANCE

≤ 10	±0.3
10 < ≤ 30	±0.4
30 < ≤ 100	±0.45
ANGLE	±3°



6	4	1,2-178316-5
6	3	1,2-178316-3
6	2	1,2-178316-2
(FINISH)		製品番号 (PART NO.)

THIS DRAWING IS A CONTROLLED DOCUMENT.		DWN K.IKEDA 22DEC1994	TE Connectivity Ltd.		
DIMENSIONS: mm		CHK S.MANABE 10JAN1995			
TOLERANCES UNLESS OTHERWISE SPECIFIED:		APVD S.MANABE 10JAN1995	NAME		
0 PLC ± -		PRODUCT SPEC		6POS SINGLE ROW VERTICAL HDR ASSY DYNAMIC 3100	
1 PLC ± -		APPLICATION SPEC		108-5349	
2 PLC ± -		WEIGHT		114-5148	
3 PLC ± -		SIZE		A3	
4 PLC ± -		CAGE CODE		-	
ANGLES ± -		DRAWING NO		C-178316	
FINISH		RESTRICTED TO		-	
SEE NOTE		CUSTOMER DRAWING		SCALE 2:1	
		SHEET		1 OF 1	
		REV		D	