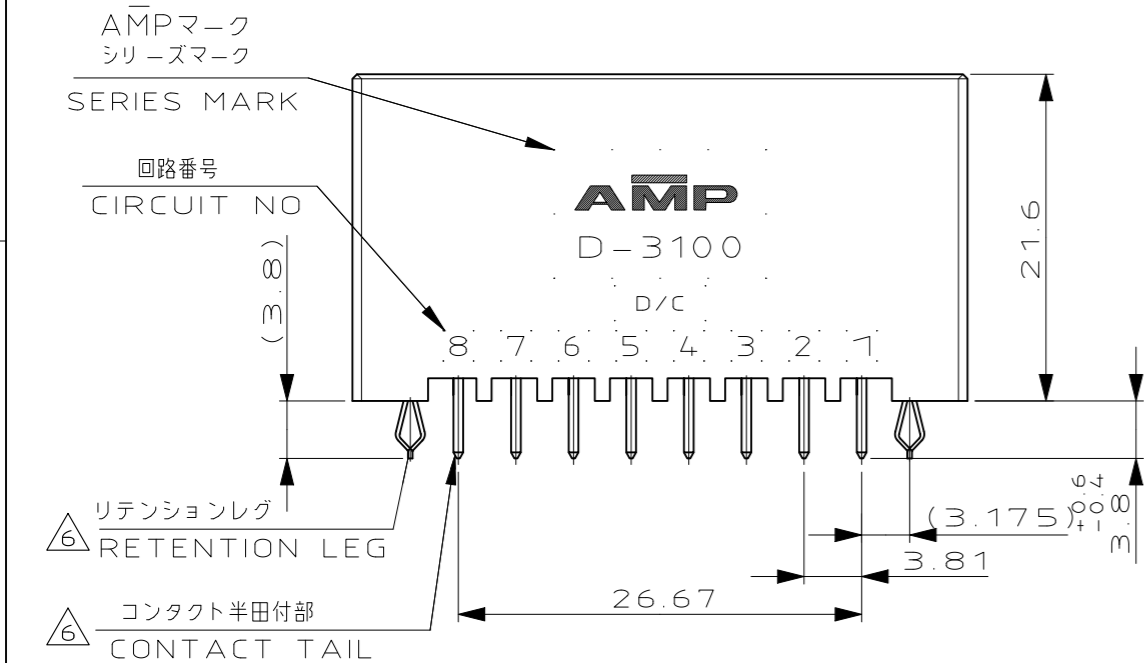
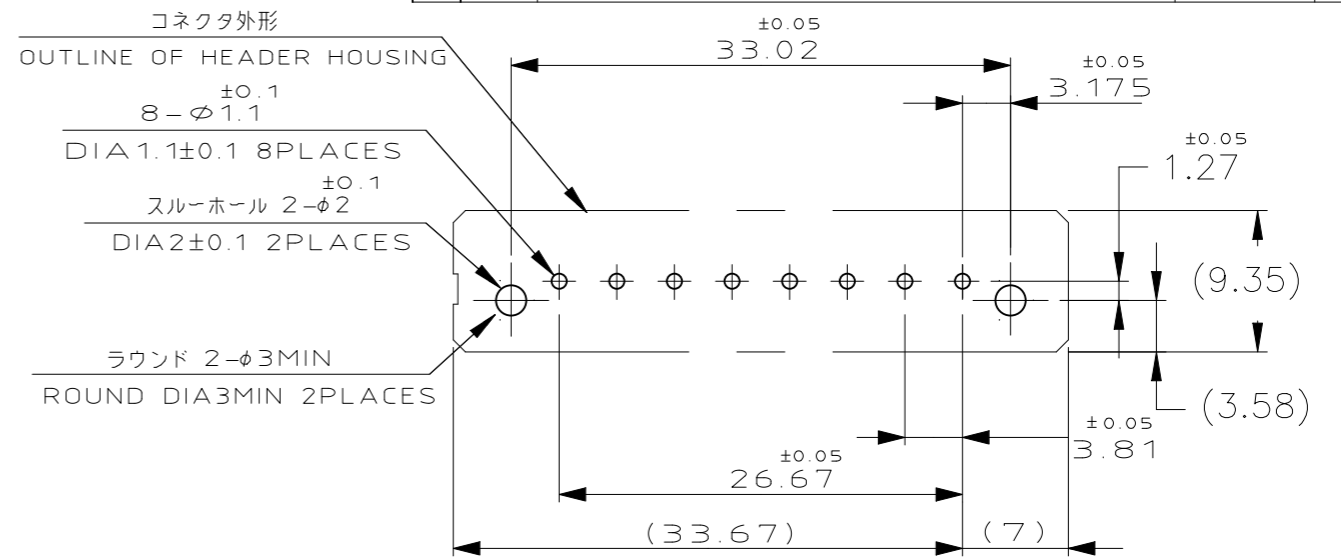
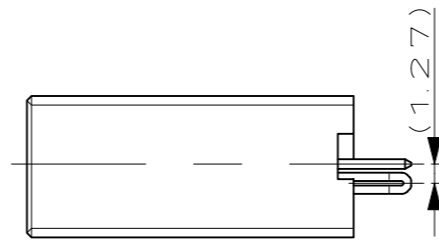
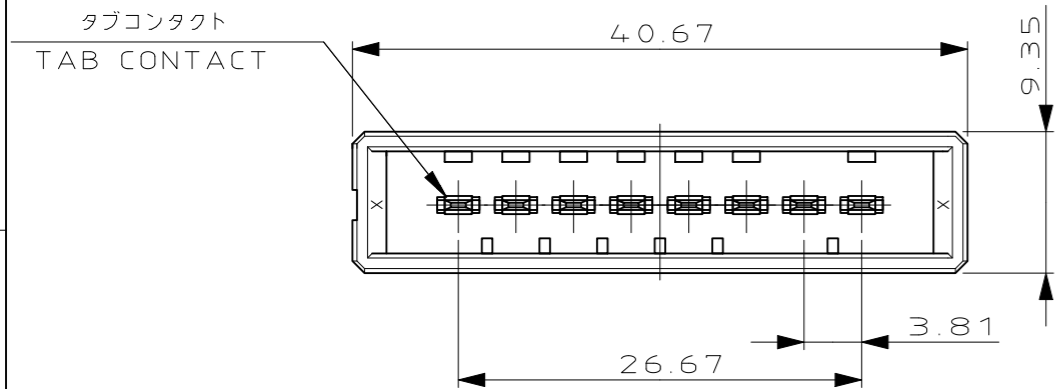


REVISIONS					
P	LTR	DESCRIPTION	DATE	DWN	APVD
	G	REVISED PER ECR-25-250800	03JAN2025	F.Z	R.B



推奨基板取付け穴寸法
PC 基板厚: 1.6±0.1
(非累積公差)
(コネクタ搭載面)

RECOMEND PC BOARD HOLE PATTERN
PC BOARD THICKNESS: 1.6±0.1
(NOT ACCUMULATE TOLERANCE)
(CONNECTOR MOUNT SIDE)

NOTES

- MATERIAL: HOUSING: GLASS FILLED THERMO PLASTIC, POLYESTER (94V-0), COLOR: BLACK
CONTACT: COPPER ALLOY
RETENTION LEG: COPPER ALLOY
- FINISH (CONTACT AREA): 0.38μm PdNi & Au PLATING OVER NICKEL
- FINISH (CONTACT AREA): 0.76μm PdNi & Au PLATING OVER NICKEL
- FINISH (CONTACT AREA): 2.0 μm MIN TIN PLATED OVER NICKEL
- FINISH (RETENTION LEG): TIN-LEAD PLATED
(CONTACT TAIL) OVER NICKEL
- FINISH (RETENTION LEG): TIN PLATED
(CONTACT TAIL) OVER NICKEL

△6	△4	1-178317-5
△6	△3	1-178317-3
△6	△2	1-178317-2
(FINISH)		製品番号 (PART NO.)

THIS DRAWING IS A CONTROLLED DOCUMENT.		DWN N.MATSUBARA 19APR1994	TE Connectivity		
		CHK S.MANABE 20APR1994			
DIMENSIONS: mm		APVD S.MANABE 20APR1994	NAME 8 POS SINGLE ROW VERTICAL HDR ASSY FOR DYNAMIC D-3100		
TOLERANCES UNLESS OTHERWISE SPECIFIED:		PRODUCT SPEC	APPLICATION SPEC		
0 PLC ± 1 PLC ± 2 PLC ±10% ±0.3 3 PLC ±10% ±0.4 4 PLC ±30% ±100 ±0.45 ANGLES ±3°		WEIGHT -	SIZE A3	CAGE CODE 00779	DRAWING NO C-178317
MATERIAL SEE NOTE		FINISH SEE NOTE	RESTRICTED TO -		
CUSTOMER DRAWING			SCALE 2:1	SHEET 1 OF 1	REV G