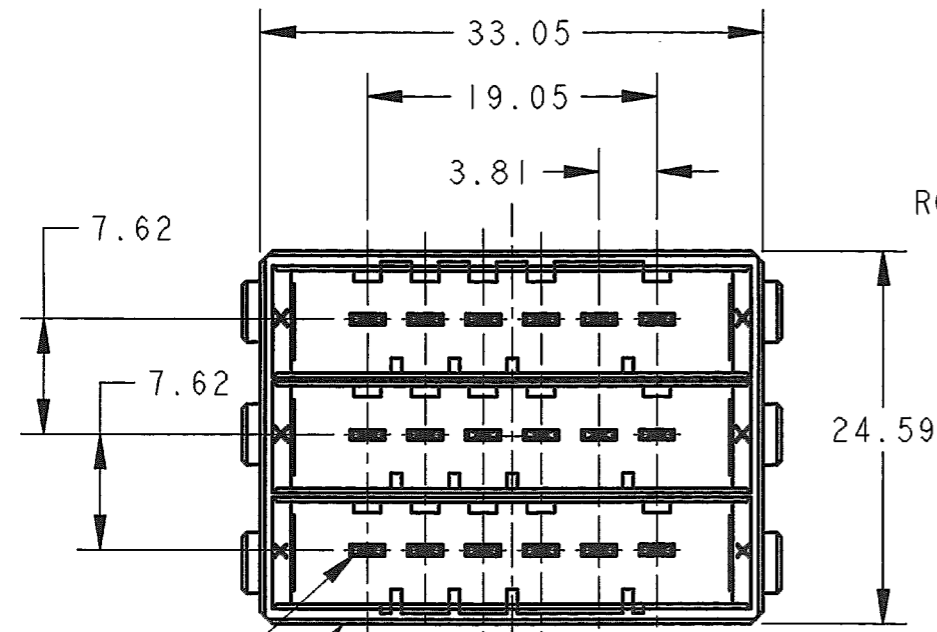
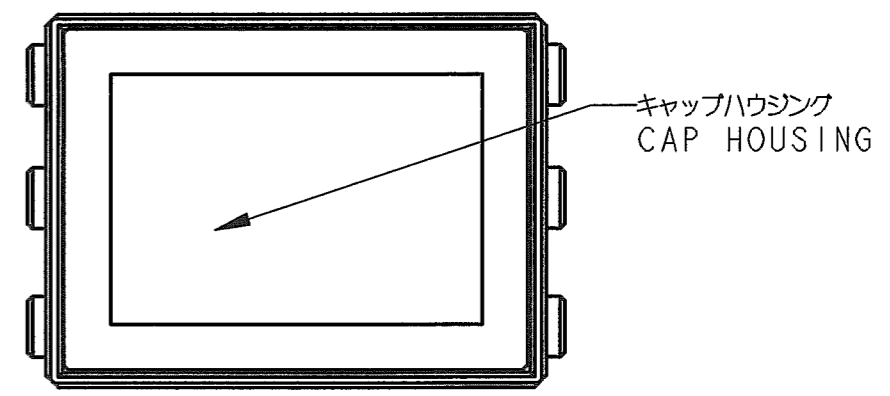
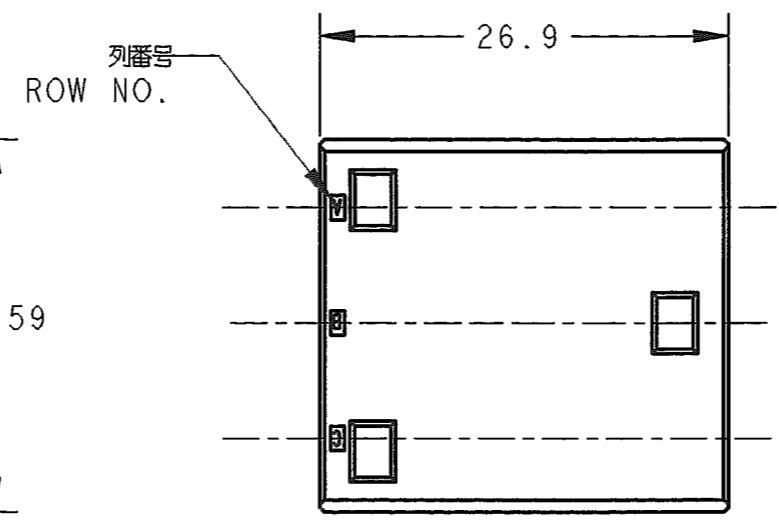


THIS DRAWING IS UNPUBLISHED. RELEASED FOR PUBLICATION 2001  
 © COPYRIGHT 2001 BY TYCO ELECTRONICS CORPORATION. ALL RIGHTS RESERVED.

LOC	DIST	REVISIONS						
J	-	P	LTR	DESCRIPTION	ECN	DATE	DWN	APVD
		0		RELEASED	FJ00-1740-01	26SEP2001	S.Y	S.M
		01		REVISED	FJD0-0298-03	27AUG2003	D.M	S.M
		A		REVISED PER ECR-25-250788		16JAN2025	F.Z	R.B



-1 : AS SHOWN (F/H)  
 -1 : 本図 (F/H)

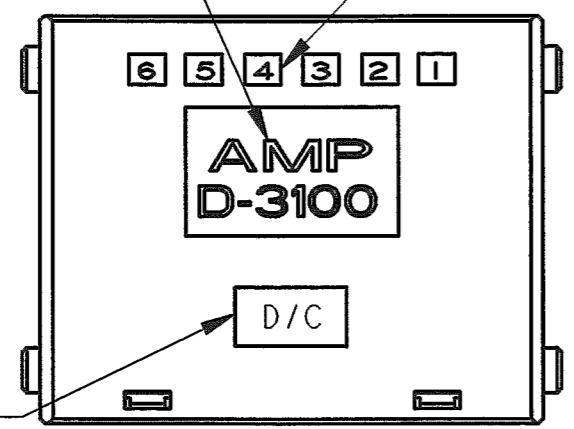


タブコンタクト  
 TAB CONTACT

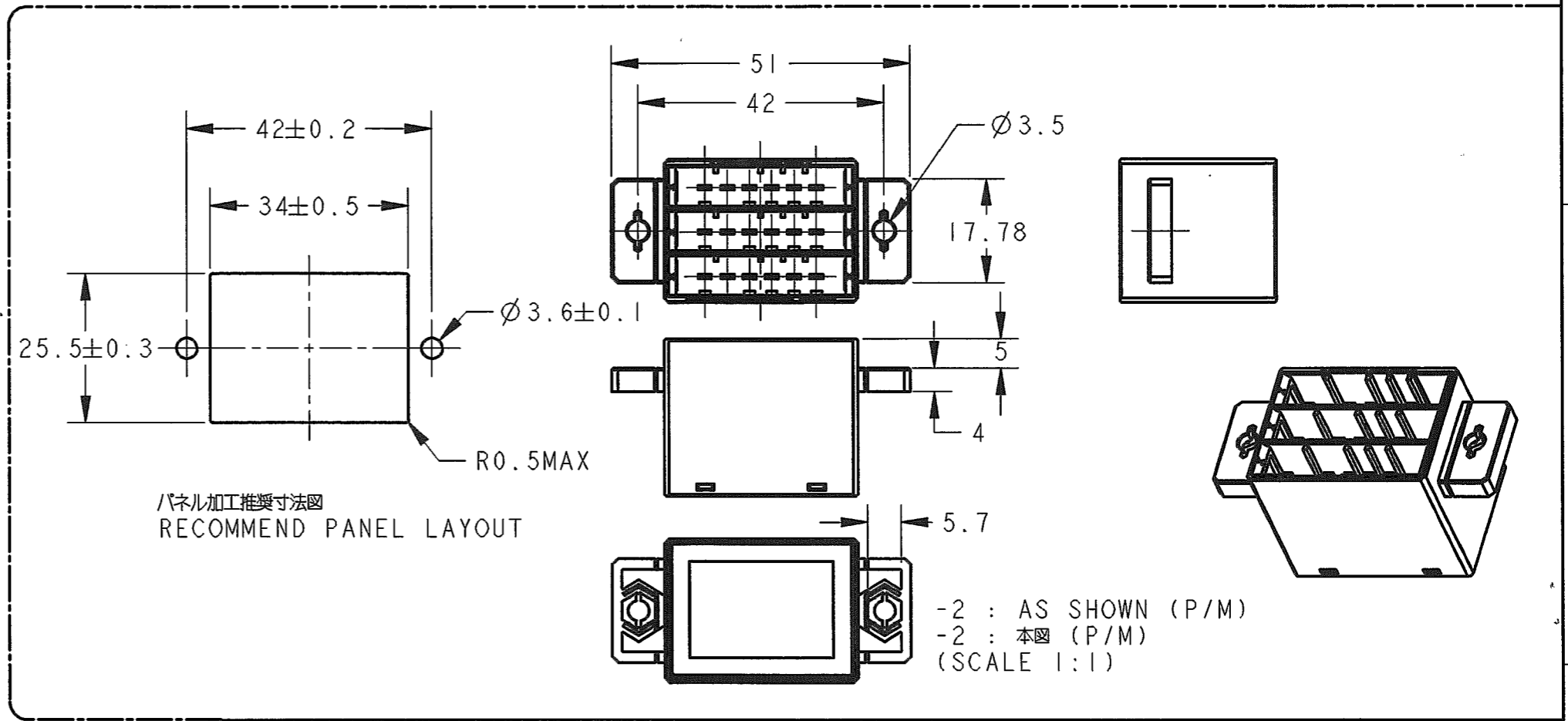
タップハウジング  
 TAP HOUSING

AMPマーク&シリーズマーク  
 AMP MARK & SERIES MARK

回路番号  
 CIRCUIT No.



デートコード  
 D/C



-2 : AS SHOWN (P/M)  
 -2 : 本図 (P/M)  
 (SCALE 1:1)

NOTE  
 1, MATERIAL; HOUSING: GLASS FIBER THERMOPLASTIC, 94V-0, BLACK  
 CONTACT: COPPER ALLOY  
 2, FINISH; UNDER PLATE: Ni 1.3µm MIN, CONTACT AREA: 0.38µm PdNi & Au PLATING  
 OVER NICKEL

THIS DRAWING IS A CONTROLLED DOCUMENT FOR TYCO ELECTRONICS CORPORATION  
 IT IS SUBJECT TO CHANGE AND THE CONTROLLING ENGINEERING ORGANIZATION  
 SHOULD BE CONTACTED FOR THE LATEST REVISION.

DIMENSIONS: 単位: ㎜	TOLERANCES UNLESS OTHERWISE SPECIFIED:
	0 PLC ±-
	1 PLC ± ±0.4
	2 PLC ± ±3°
	3 PLC ±-
	4 PLC ±-
	ANGLES ±
MATERIAL 材料	FINISH 仕上

DWN S. YOKOZEKI	09AUG2001
CHK D. MITSUGI	26SEP2001
APVD S. MANABE	26SEP2001
PRODUCT SPEC 製品規格	108-5754
APPLICATION SPEC 取付適用規格	-
WEIGHT	-
CUSTOMER DRAWING	



DYNATAP CONN. 18P ASSY  
 -DYNAMIC 3100 -

SIZE A3	CAGE CODE 00779	DRAWING NO. C=1376807	RESTRICTED TO
SCALE 尺度 2:1	SHEET	OF	REV A