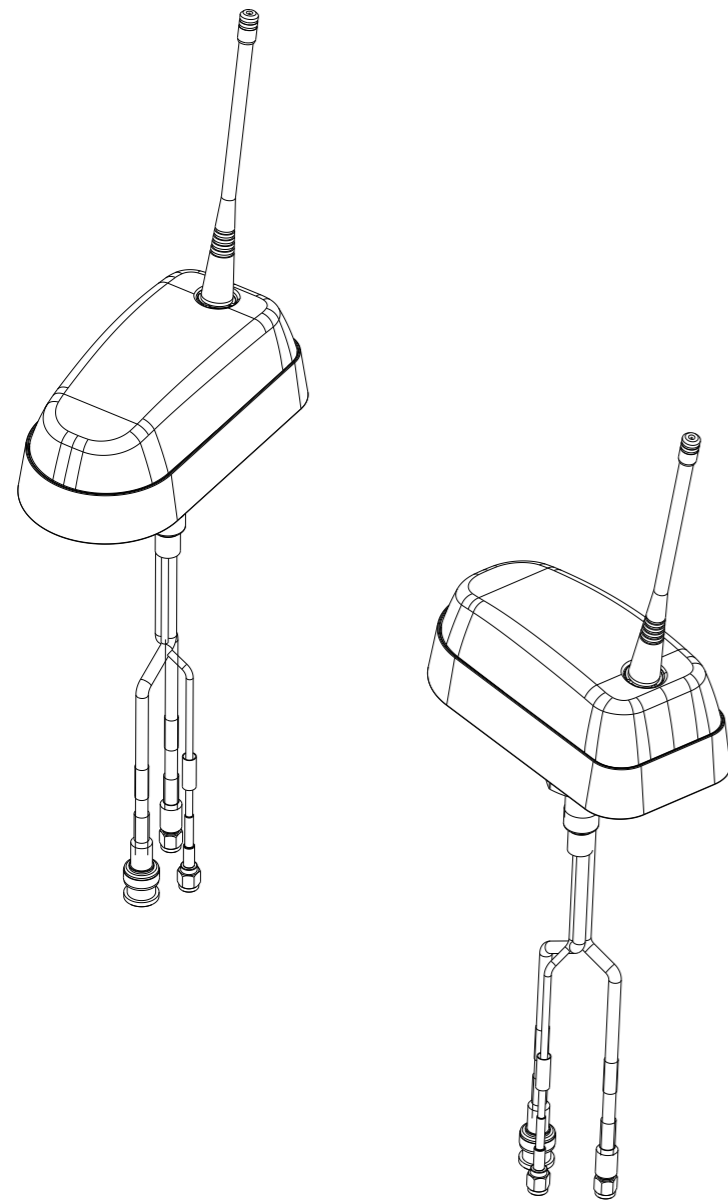



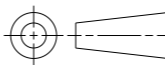
P	LTR	DESCRIPTION	DATE	DWN	APVD
	A	INITIAL RELEASED	18APR2024	YS	WT
	A1	ADD IN STUD DETAIL	09MAY2024	YS	WT
	A2	ADD NEW CONFIGURATION	24JUL2024	LC	LL
	A3	ADD NEW CONFIGURATION ITEM 6-7	13JAN2025	YS	CY



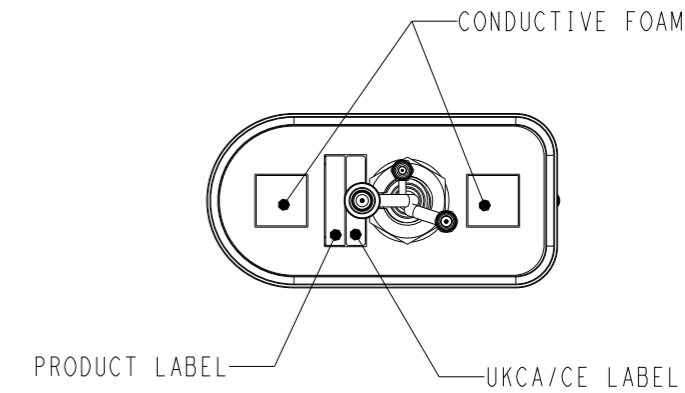
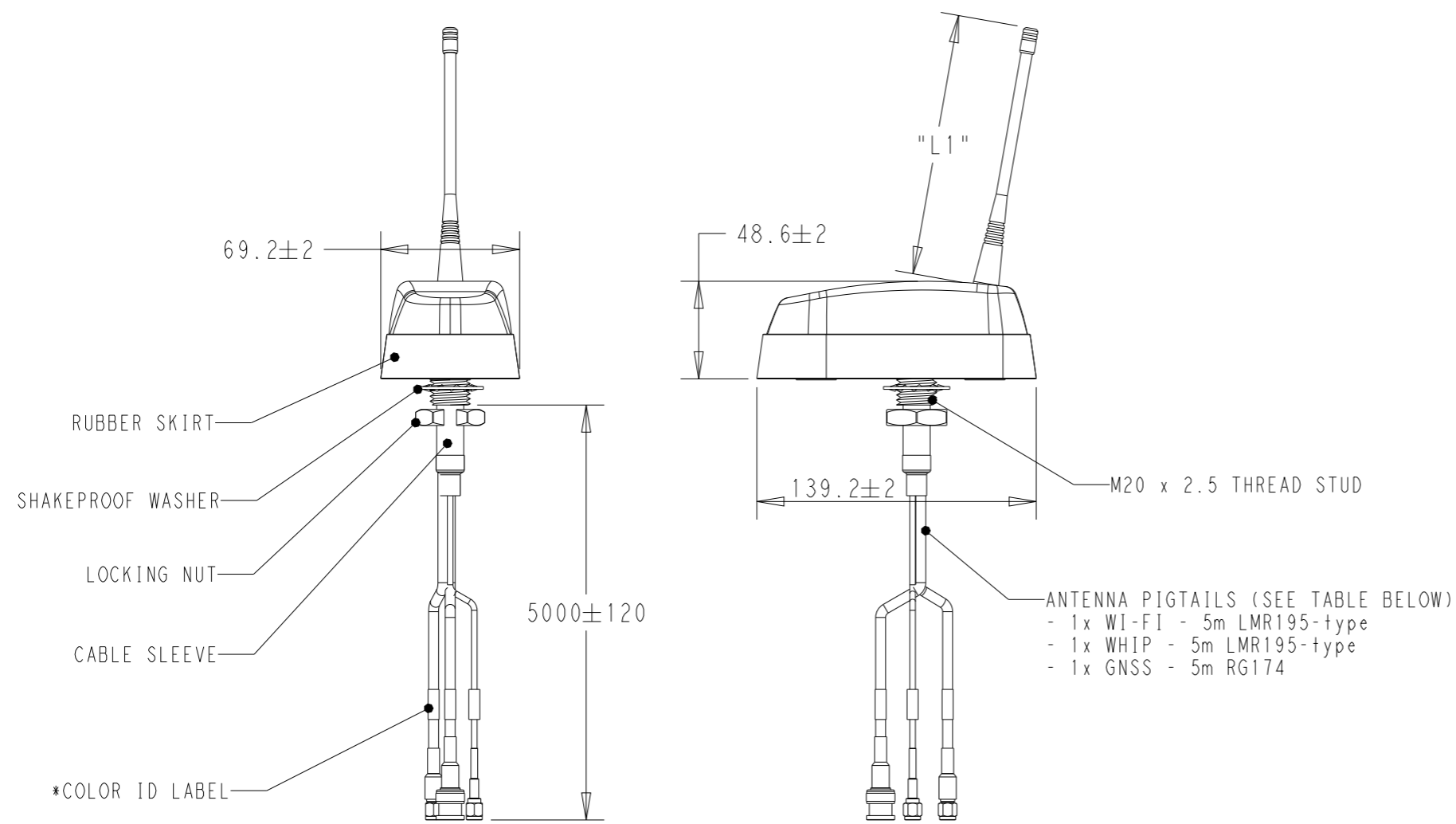
MECHANICAL SPECIFICATIONS	
Dimensions- L x W x H mm	139.2 x 69.2 x 48.6 mm (Not include Whip)
Weight, kg (lbs)	See Config. Table
Mounting	Bolt Mount
Cable Type	LMR195-type & RG174 (GNSS)
Color	Black
Radome Material	PC, UL94-V0

ENVIRONMENTAL SPECIFICATIONS	
Operating Environment	Outdoor Vehicle
Operating Temperature, °C (°F)	-30 to +70 (-22 to +158)
Storage Temperature, °C (°F)	-40 to +85 (-40 to +185)
Ingress Protection (Main Antenna)	IP67, IP69K
Wind Operational	Simulated 100 mph for 1 minute load
Wind Survival	Simulated 136 mph for 15 second load
Material Substance Compliance	RoHS Compliant

Item	TCPN	No. of Ports	Cable End Connector Type (No. of Ports)				Weight, kg (lbs)	Alias
			Wi-Fi	GNSS	Whip (UHF)	Whip (800MHz)		
1	L000573-02	3	SMA-M (1)	SMA-M (1)	BNC-M (1)	X	0.72 (1.59)	VCT24718B1JUB-500AS
2	L000573-03	2	X	SMA-M (1)	BNC-M (1)	X	0.56 (1.23)	VCD35032BNJUB-500AT
3	L000573-04	2	X	SMA-M (1)	TNC-M (1)	X	0.56 (1.23)	VCD35032BNJUB-500AV
4	L000573-05	3	SMA-M (1)	SMC-M (1)	BNC-M (1)	X	0.72 (1.59)	VCT24718B1JUB-500AW
5	L000573-06	2	X	SMC-M (1)	BNC-M (1)	X	0.56 (1.23)	VCD35032BNJUB-500AX
6	L000573-08	3	SMA-M (1)	SMA-M (1)	X	BNC-M (1)	0.72 (1.59)	VCT24718B1JAB-500AS
7	L000573-09	2	X	SMA-M (1)	X	BNC-M (1)	0.56 (1.23)	VCD76004BNJAB-500AT

THIS DRAWING IS A CONTROLLED DOCUMENT.		DWN	YS TAN	08SEP2023	 TE Connectivity		
DIMENSIONS: mm		CHK	TY NG	08SEP2023			
		APVD	WT NG	08SEP2023			
TOLERANCES UNLESS OTHERWISE SPECIFIED:		PRODUCT SPEC		NAME			
0 PLC ±0.5 1 PLC ±0.25 2 PLC ±0.13 3 PLC ± 4 PLC ± ANGLES ± FINISH		APPLICATION SPEC		VEHICLE ANTENNA BOLT MOUNT			
MATERIAL		WEIGHT		SIZE	CAGE CODE	DRAWING NO	RESTRICTED TO
-		-		A3	00779	©-L000573	-
CUSTOMER DRAWING				SCALE	SHEET	REV	
				1:4	1 OF 2	A3	

P	LTR	DESCRIPTION	DATE	DWN	APVD
-	-	SEE SHEET 1	-	-	-



*SEE PORT INDICATION TABLE FOR DETAIL

Item	TCPN	No. of Ports	Cable End Connector Type (No. of Ports)				"L1" LENGTH
			Wi-Fi	GNSS	Whip (UHF)	Whip (800MHz)	
1	L000573-02	3	SMA-M (1)	SMA-M (1)	BNC-M (1)	X	145.5 ±2
2	L000573-03	2	X	SMA-M (1)	BNC-M (1)	X	145.5 ±2
3	L000573-04	2	X	SMA-M (1)	TNC-M (1)	X	145.5 ±2
4	L000573-05	3	SMA-M (1)	SMC-M (1)	BNC-M (1)	X	145.5 ±2
5	L000573-06	2	X	SMC-M (1)	BNC-M (1)	X	145.5 ±2
6	L000573-08	3	SMA-M (1)	SMA-M (1)	X	BNC-M (1)	58.5 ±2
7	L000573-09	2	X	SMA-M (1)	X	BNC-M (1)	58.5 ±2

PORTS INDICATION TABLE

	PRINTED "TEXT"	LABEL COLOR
WI-FI PORT	WLAN 1	RED
WHIP PORT	WHIP	GREEN
GNSS PORT	GNSS	WHITE

THIS DRAWING IS A CONTROLLED DOCUMENT.

DIMENSIONS: mm

TOLERANCES UNLESS OTHERWISE SPECIFIED:

0 PLC	±0.5
1 PLC	±0.25
2 PLC	±0.13
3 PLC	±-
4 PLC	±-
ANGLES	±-
FINISH	-

MATERIAL: -

DATE: 08SEP2023

CHK: YS TAN

TY: NG

APVD: WT NG

PRODUCT SPEC: -

APPLICATION SPEC: -

WEIGHT: -

CUSTOMER DRAWING

NAME: VEHICLE ANTENNA BOLT MOUNT

SIZE: A3

CAGE CODE: 00779

DRAWING NO: L000573

RESTRICTED TO: -

SCALE: 1:4

SHEET: 2 OF 2

REV: A3

TE Connectivity