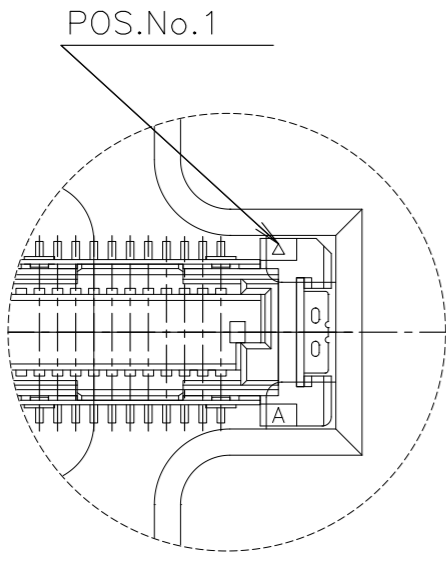
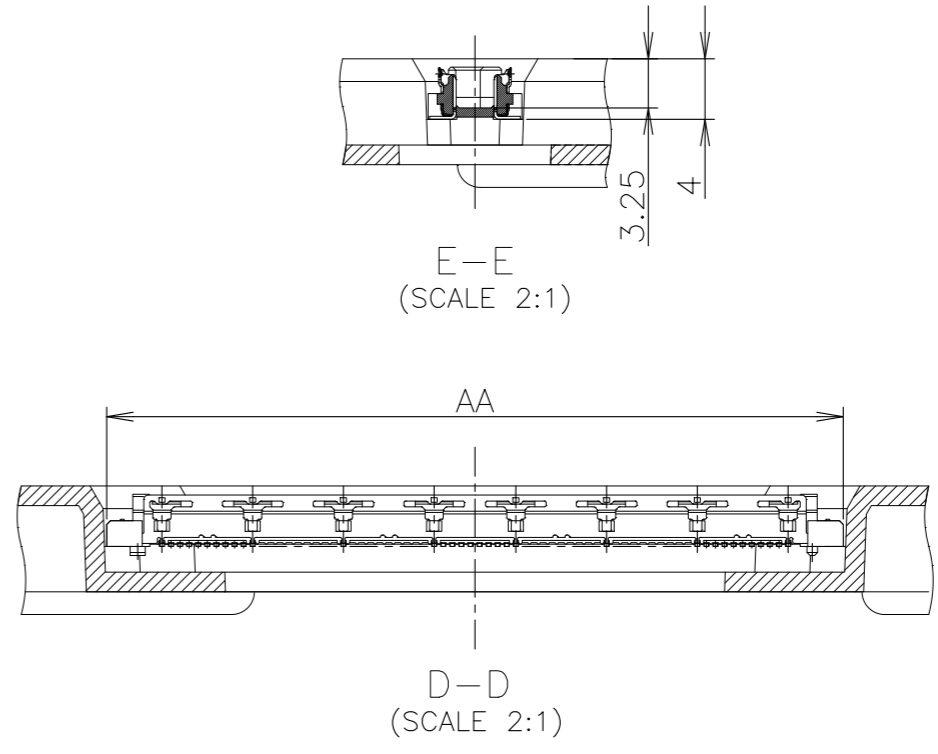
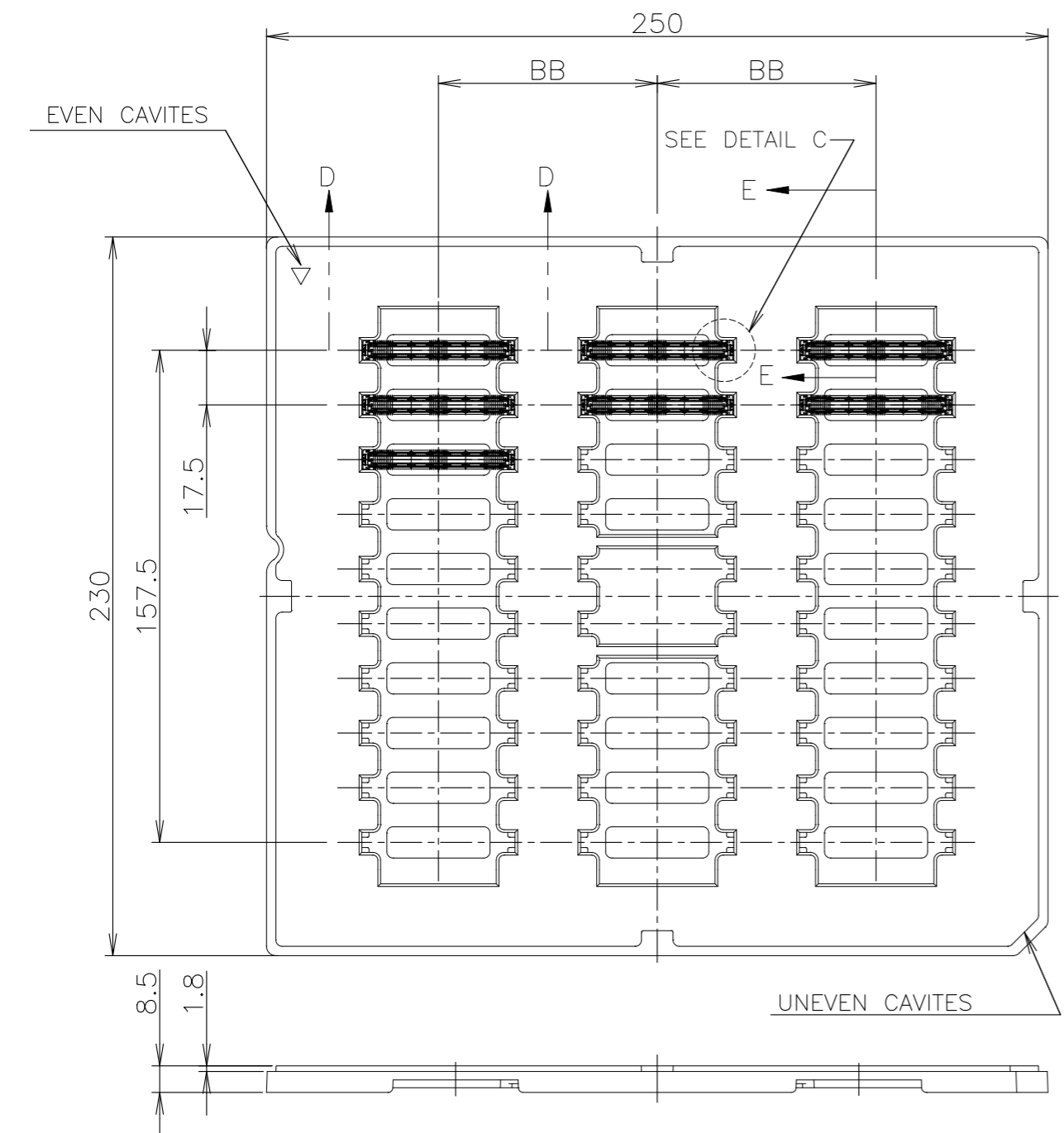


THIS DRAWING IS UNPUBLISHED. RELEASED FOR PUBLICATION OCT, 1995.
 © COPYRIGHT 1995 BY TYCO ELECTRONICS CORPORATION. ALL RIGHTS RESERVED.

LOC	DIST	REVISIONS 変更					
J		P	LTR	DESCRIPTION	DATE	DWN	APVD
			A1	REVISED AS PER ECR-25-232591	20JAN2025	MK	SSM



DETAIL C
(SCALE 4:1)

GENERAL TOLERANCE
一般公差

10 ≥	±0.2
30 ≥	>10: ±0.25
100 ≥	>30: ±0.3
ANGLES: ±3°	

THIS DRAWING IS A CONTROLLED DOCUMENT.

DIMENSIONS: 単位: 耗 mm	TOLERANCES UNLESS OTHERWISE SPECIFIED: 一般公差
	0 PLC ± -
	1 PLC ± -
	2 PLC ± -
	3 PLC ± -
	4 PLC ± -
	ANGLES ± -
MATERIAL 材料	FINISH 仕上

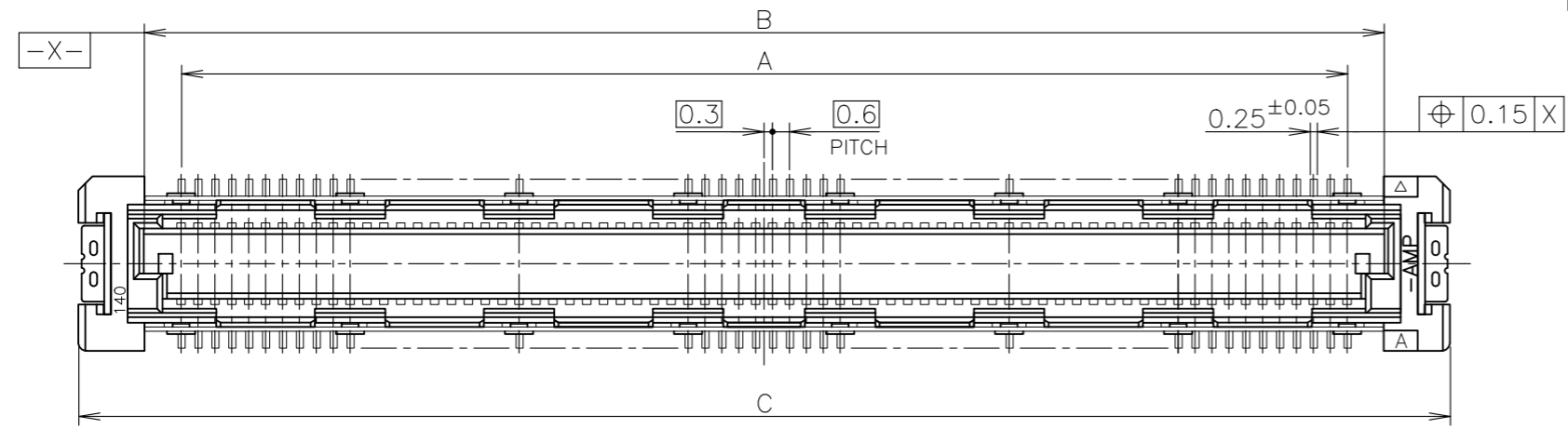
OBSOLETE

SEALANT	AVAILABLE	3	30	70	54.7	160	1-5316559-1
	AVAILABLE	↑	↑	↑	48.7	140	1-5316559-0
	NOT AVAILABLE	↓	↓	↓	42.7	120	↑ -9
	↑	↓	↓	↓	36.7	100	↑ -8
	↑	3	30	70	33.7	90	↑ -7
	↑	5	50	43	30.7	80	↑ -6
	↑	↑	↑	↑	27.7	70	↑ -5
	↑	↑	↑	↑	24.7	60	↑ -4
	↑	↑	↑	↑	21.7	50	↑ -3
	NOT AVAILABLE	5	50	43	18.7	40	↑ -2
NOT AVAILABLE	5	50	43	15.7	30	5316559-1	
SEALANT	TOOLING STATUS	ROW	QTY	BB	AA	POS.	PART NO.

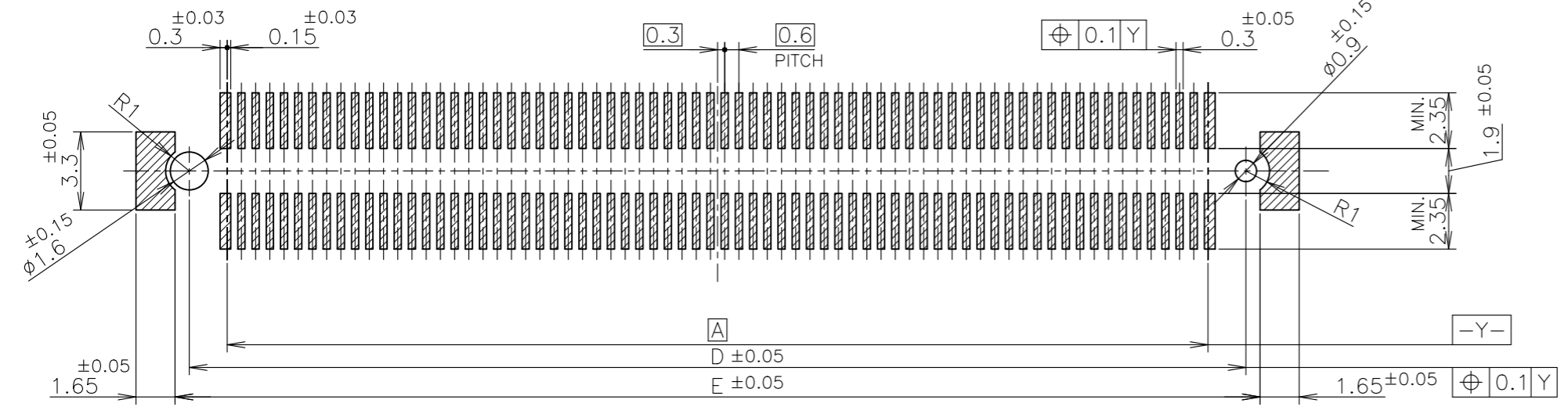
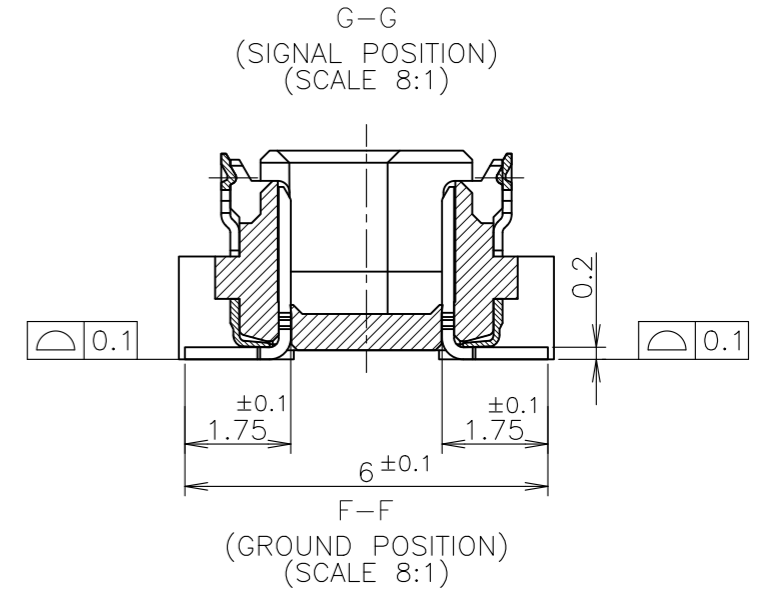
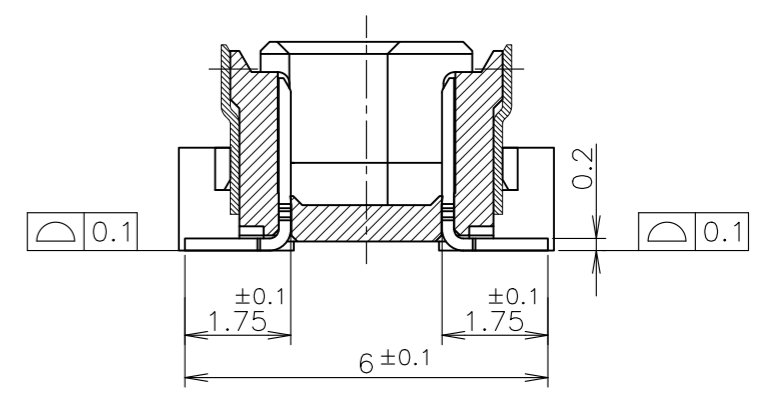
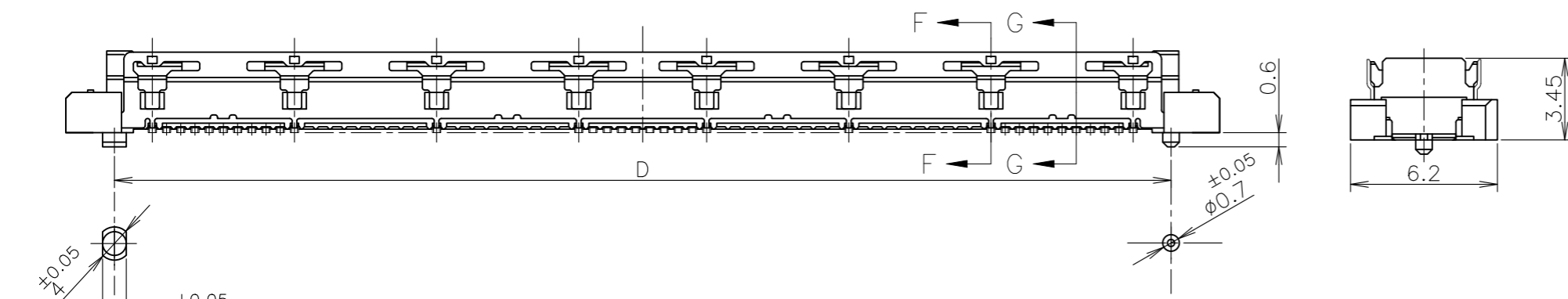
DWN LEO ZHOU 17NOV04		Tyco Electronics Corporation	
CHK STEVEN YAO 17NOV04		Kawasaki, Japan	
APVD I.ENOMOTO 17NOV04		NAME 名称	
PRODUCT SPEC 製品規格		HARD TRAY ASSY	
APPLICATION SPEC 取付適用規格		FH 0.6BTB CONNECTOR	
WEIGHT		PLUG 4H W/G-PLATE	
SIZE	CAGE CODE	DRAWING NO 番号	RESTRICTED TO
A3	00779	G-5316559	
CUSTOMER DRAWING		SCALE 尺度 1:2	SHEET 1 OF 3
			REV A1

THIS DRAWING IS UNPUBLISHED. RELEASED FOR PUBLICATION OCT, 1995.
 © COPYRIGHT 1995 BY TYCO ELECTRONICS CORPORATION. ALL RIGHTS RESERVED.

LOC	DIST	REVISIONS			DATE	DWN	APVD
J		P	LTR	変更 DESCRIPTION			
				THIS POSITION IS GROUND CIRCUIT.			
				SEE SHEET 1			



- △ MATERIAL ; HOUSING : HIGH TEMP THERMO PLASTIC UL94V-0
- CONTACT : COPPER ALLOY
- △ FINISH ; UNDER PL Ni 0.0013mm MIN ALL OVER.
- CONTACT AREA 0.0002 MIN Au PL.
- SOLDERING AREA 0.001 MIN TIN PL.
- △ THIS POSITION IS GROUND CIRCUIT.



REFERENCE P.C.BOARD LAYOUT

AVAILABLE	51.8	50.6	54.7	50	47.4	160	1-5316559-1	
AVAILABLE	45.8	44.6	48.7	44	41.4	140	1-5316559-0	OBSOLETE
NOT AVAILABLE	39.8	38.6	42.7	38	35.4	120		-9
AVAILABLE	33.8	32.6	36.7	32	29.4	100		-8
NOT AVAILABLE	30.8	29.6	33.7	29	26.4	90		-7
NOT AVAILABLE	27.8	26.6	30.7	26	23.4	80		-6
AVAILABLE	24.8	23.6	27.7	23	20.4	70		-5
	21.8	20.6	24.7	20	17.4	60		-4
AVAILABLE	18.8	17.6	21.7	17	14.4	50		-3
NOT AVAILABLE	15.8	14.6	18.7	14	11.4	40		-2
NOT AVAILABLE	12.8	11.6	15.7	11	8.4	30	5316559-1	
TOOLING STATUS	E	D	C	B	A	POS	PART NO.	

THIS DRAWING IS A CONTROLLED DOCUMENT.		DWN	Tyco Electronics Corporation Kawasaki, Japan	
DIMENSIONS: 単位: 耗 mm		CHK	NAME 名称	
TOLERANCES UNLESS OTHERWISE SPECIFIED: 一般公差		APVD	HARD TRAY ASSY FH 0.6BTB CONNECTOR PLUG 4H W/G-PLATE	
0 PLC ± 0.3		PRODUCT SPEC 製品規格	SIZE	CAGE CODE
1 PLC ± 0.3		APPLICATION SPEC 取付適用規格	A3	00779
2 PLC ± 0.3		WEIGHT	DRAWING NO 番号	
3 PLC ± 0.3			G-5316559	
4 PLC ± 0.3			RESTRICTED TO	
ANGLES ± 3'				
MATERIAL 材料	FINISH 仕上	CUSTOMER DRAWING		
△ 1	△ 2	SCALE 尺度	SHEET	REV
		4:1	2 OF 3	A1

