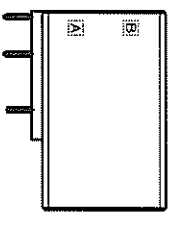
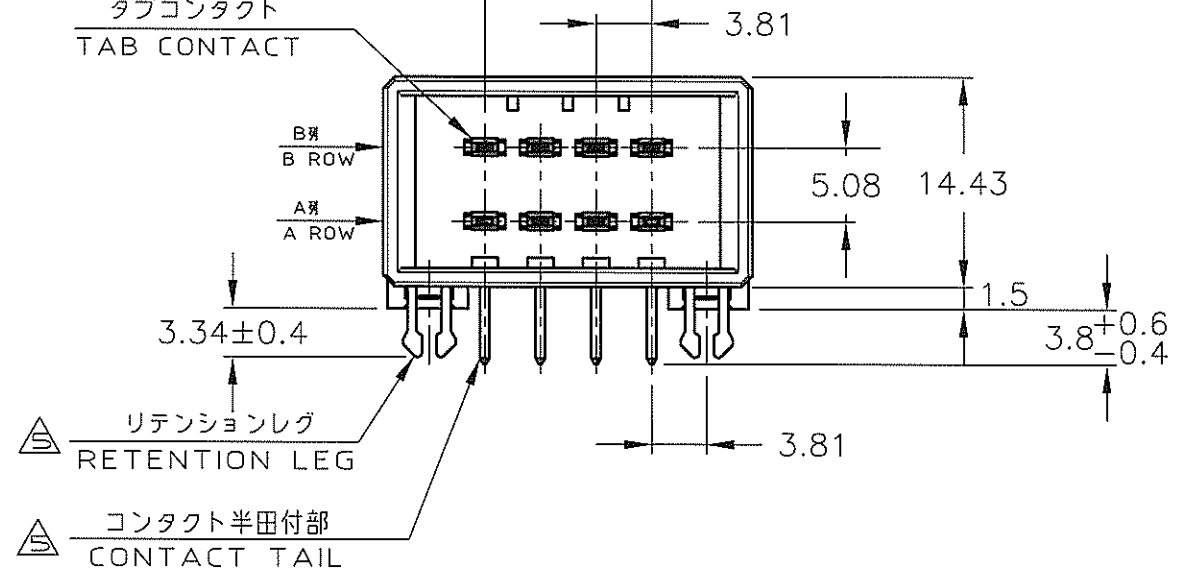
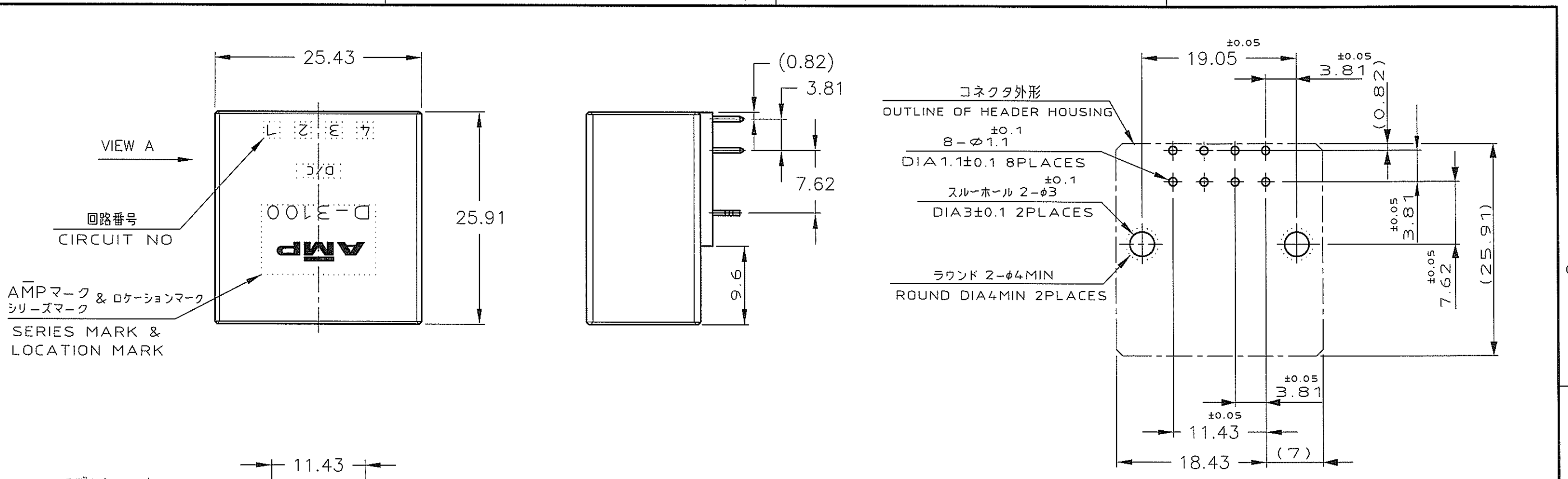


NUMBER 1717412  
 METRIC

PRINT DIST  
 DIMENSIONS IN MILLIMETERS. DO NOT SCALE PRINT



VIEW A (SCALE:1:1)

5	3	1717412-3
5	4	1717412-5
5	2	1717412-2
(FINISH)		製品番号 (PART NO.)

NOTES

- MATERIAL: HOUSING: GLASS FILLED THERMO PLASTIC, POLYESTER  
 CONTACT: COPPER ALLOY  
 RETENTION LEG: COPPER ALLOY
- FINISH (CONTACT AREA): 0.38μm PdNi & Au PLATING OVER NICKEL
- FINISH (CONTACT AREA): 0.76μm PdNi & Au PLATING OVER NICKEL
- FINISH (CONTACT AREA): 2.0 μm MIN TIN PLATED OVER NICKEL
- FINISH (RETENTION LEG): TIN PLATED (CONTACT TAIL) OVER NICKEL
- THE SHAPE, SIZE AND POSITION OF THE CHARACTER SHOW THE OUTLINE THEY DON'T SHOW DETAILS

推奨基板取付け寸法  
 PC 基板厚: 1.6 ± 0.1  
 (非累積公差)  
 (コネクタ搭載面)

RECOMEND PC BOARD HOLE PATTERN  
 PC BOARD THICKNESS: 1.6 ± 0.1  
 (NOT ACCUMULATE TOLERANCE)  
 (CONNECTOR MOUNT SIDE)

				Copyright © 1991 AMP(Japan) LTD. ALL RIGHTS RESERVED.		TE Connectivity	
B	REVISED PER ECR-25-250788	F.Z	R.B	16JAN 2025	WIRE RANGE	INSULATION DIA	NAME
A	ADD P/N ECR-07-021778	Y.Y	D.M	19SEP 2007	mm(AWG - )	mmφ	ダイナミック D3100 水平タイプ 8 極 ヘッダーアセンブリー 8 POS DOUBLE ROW HORIZONTAL HDR ASS'Y FOR DYNAMIC 3100
02	REVISED ECR-07-013273	T.S	D.M	11JUN 2007	MATERIAL	FINISH	一般公差 (GENERAL TOLERANCE)
01	ADD P/No ECR-06-003503	T.S	S.M	20FEB '06	SEE NOTE 注記参照	SEE NOTE 注記参照	10% ± 0.3 30% ± 0.4 50% ± 0.5
0	RELEASED FJD0-0292-03	T.S	S.M	29AUG '03	DR. T.Sakamoto	29.AUG '03 DE.	SIZE LOC NUMBER A3 J C=1717412
LTR	REVISION RECORD	DR	CHK	DATE	CHK D.Mitsuqi	29.AUG '03 APP.	SCALE REV SHEET 2-1 B 1 OF 1