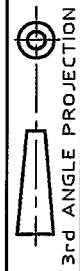


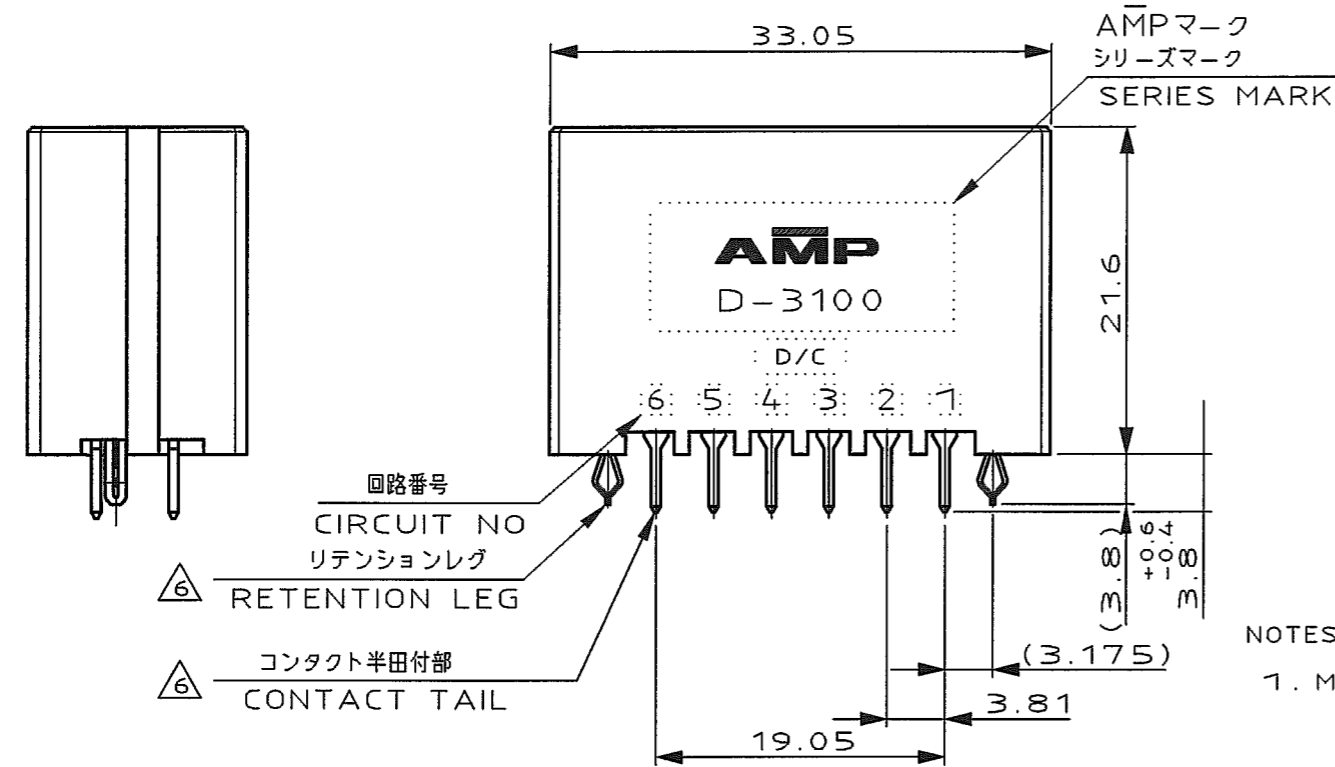
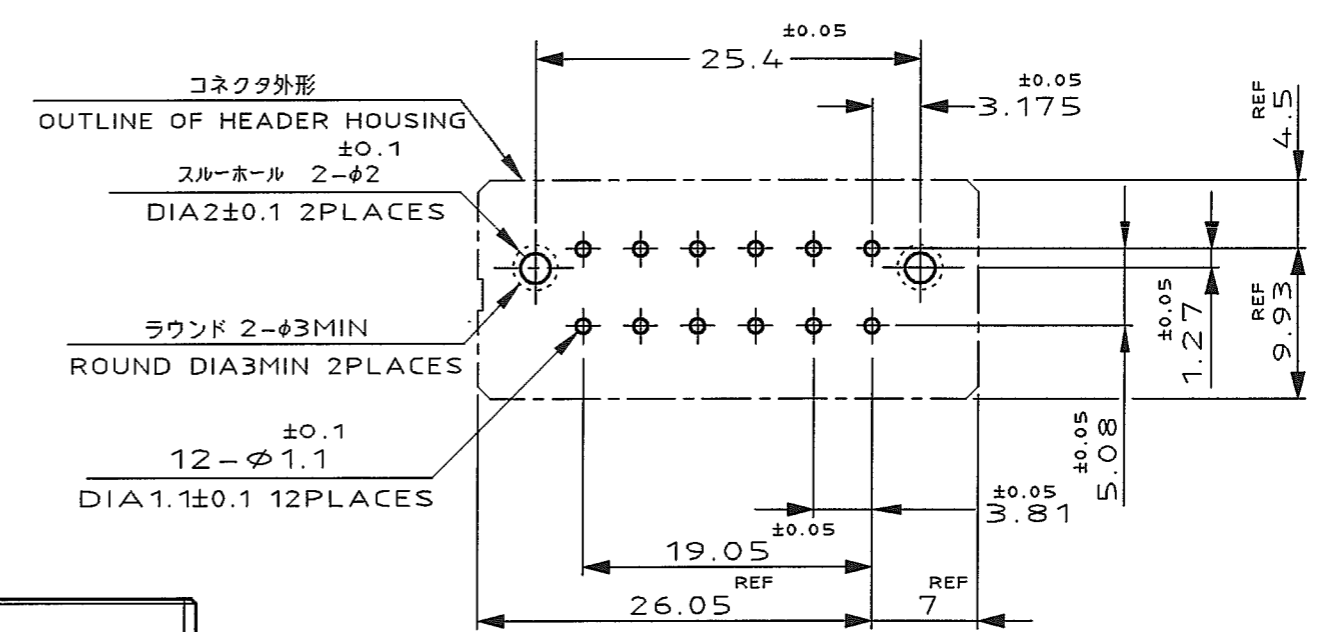
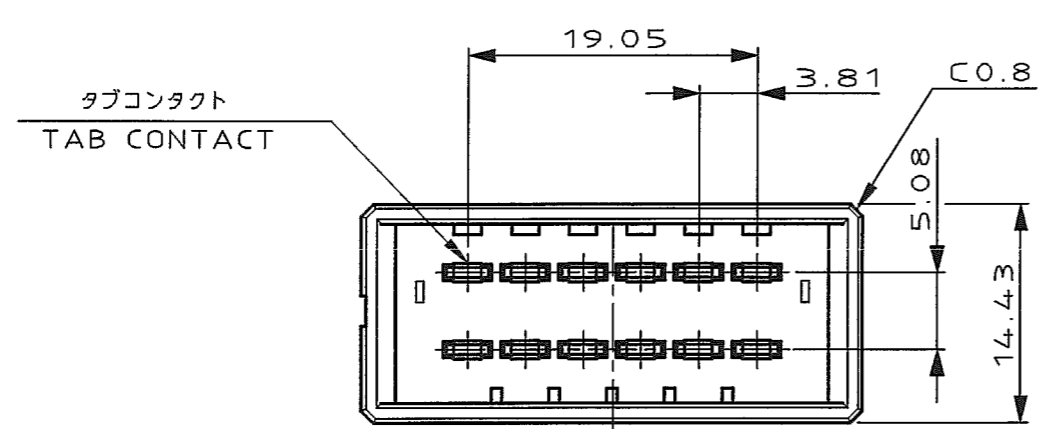
NUMBER 178326



METRIC

DIMENSIONS IN MILLIMETERS. DO NOT SCALE PRINT

PRINT DIST



推奨基板取付け寸法
PC 基板厚: 1.6±0.1
(非累積公差)
(コネクタ搭載面)

RECOMEND PC BOARD HOLE PATTERN
PC BOARD THICKNESS: 1.6±0.1
(NOT ACCUMULATE TOLERANCE)
(CONNECTOR MOUNT SIDE)

- NOTES
- MATERIAL: HOUSING: GLASS FILED THERMO PLASTIC, POLYESTER(94V-0), COLOR: BLACK
CONTACT: COPPER ALLOY
RETENTION LEG: COPPER ALLOY
 - FINISH (CONTACT AREA): 0.38µm PdNi & Au PLATING OVER NICKEL
 - FINISH (CONTACT AREA): 0.76µm PdNi & Au PLATING OVER NICKEL
 - FINISH (CONTACT AREA): 2.0 µm MIN TIN PLATED OVER NICKEL
 - FINISH (RETENTION LEG): TIN-LEAD PLATED (CONTACT TAIL) OVER NICKEL
 - FINISH (RETENTION LEG): TIN PLATED (CONTACT TAIL) OVER NICKEL

△6	△4	178326-5
△6	△3	178326-3
△6	△2	178326-2
(FINISH)		製品番号 (PART NO.)

C	REVISED PER ECR-25-250788	F.Z	R.B	16 JAN 2025
B	REVISED FJDO-0039-03	T.S	S.M	1/2 '92
A	REVISED FJDO-0114-03	T.S	S.M	25 APR '03
O	RELEASED FJ00-2528-95	NM	Y.I	6/30 '95
LTR	REVISION RECORD	DR	CHK	DATE

Copyright © 1995 AMP(Japan) LTD. ALL RIGHTS RESERVED.	
WIRE RANGE	INSULATION DIA
MATERIAL	FINISH
DR. 23 JUN 95 N. Matsubara	DE. 23 JUN 95 N. Matsubara
CHK. 30 JUN 95 Y. ISHIKAWA	APP. 3 JUL 95 S. MANABE

NAME 12 POS DOUBLE ROW VERTICAL HDR ASS'Y FOR DYNAMIC D-3100			
一般公差 (GENERAL TOLERANCE)	SIZE A3	LOC J	NUMBER C-178326
10mm以下 ±0.3	SCALE 2-1	REV. C	SHEET 1 OF 1
10mm以上30mm以下 ±0.4			
30mm以上100mm以下 ±0.45			
100mm以上 ±3			