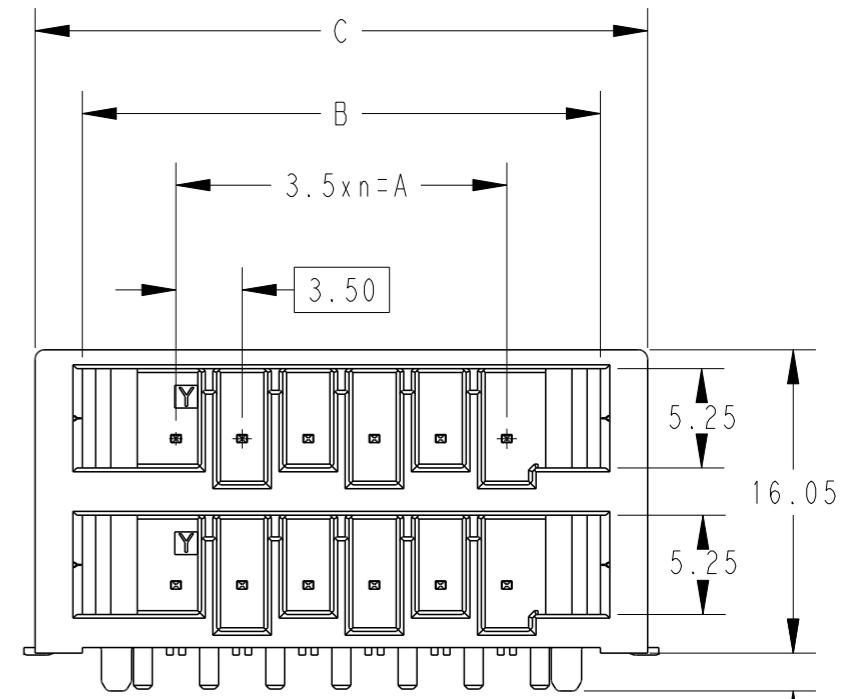
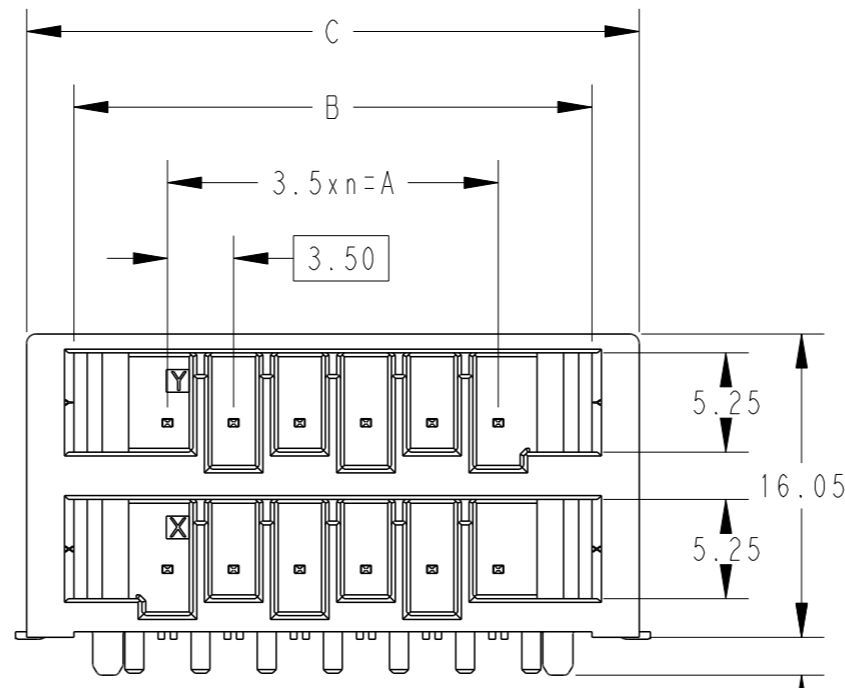
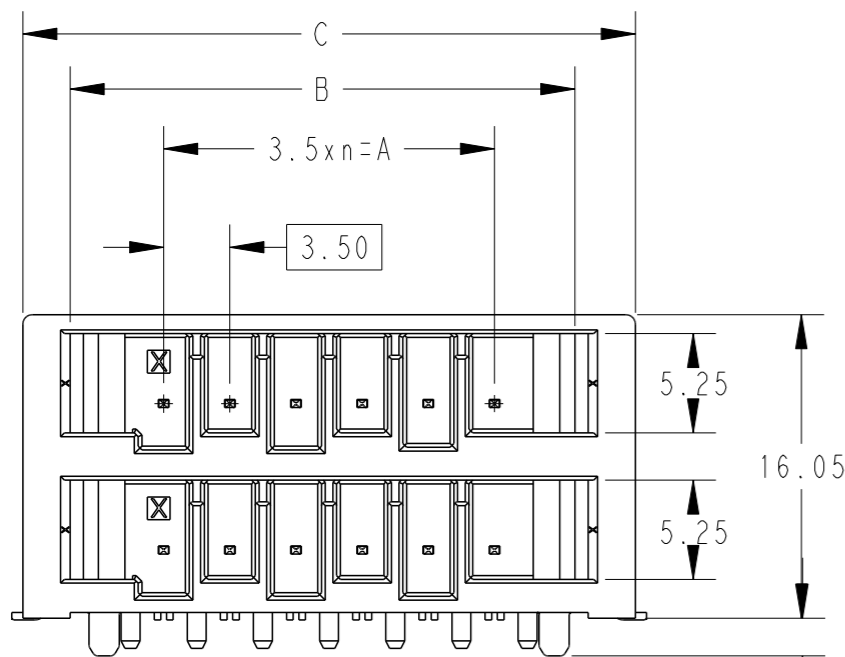
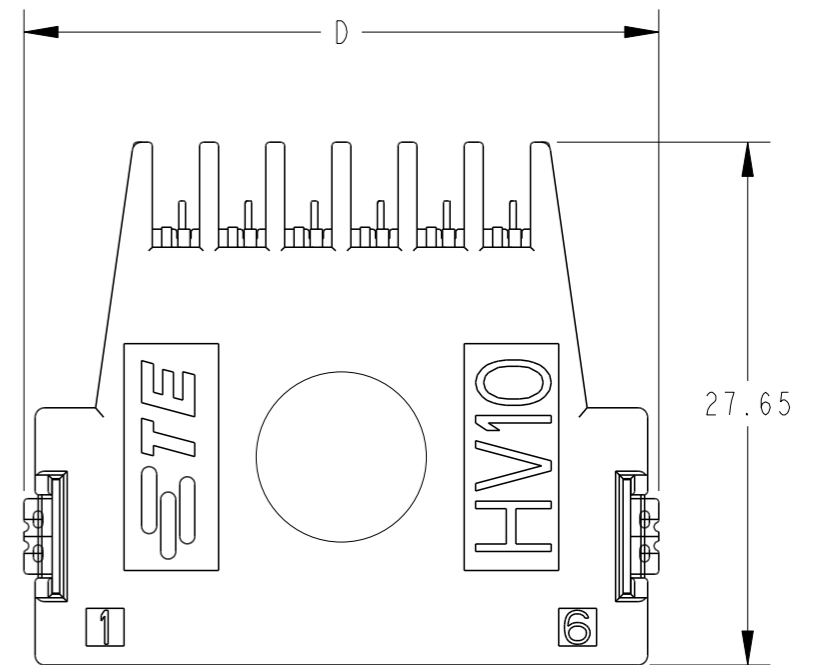
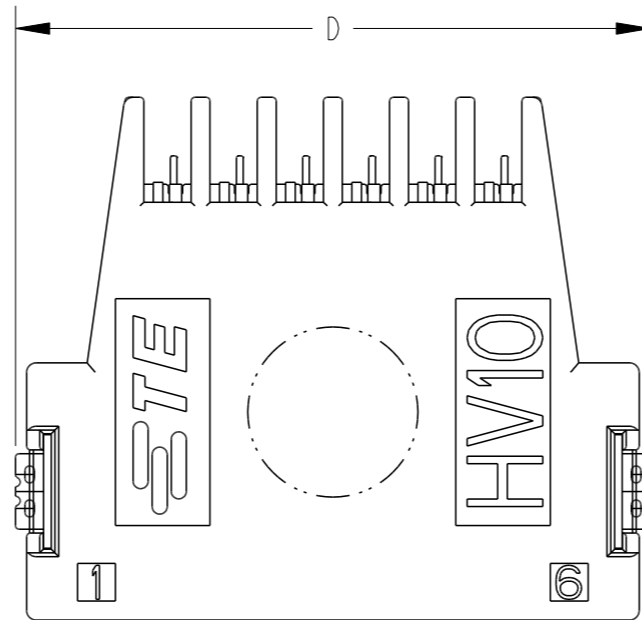
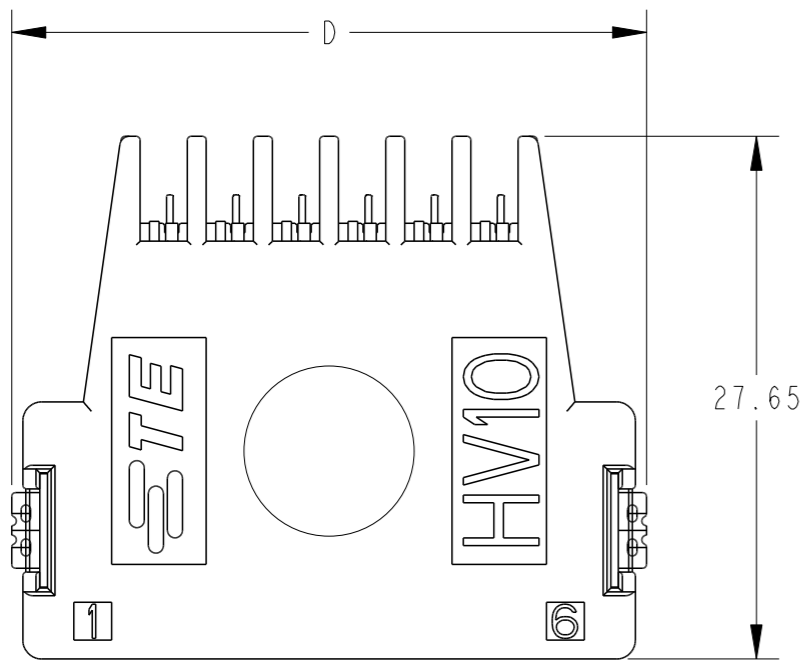



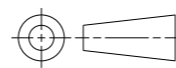
REVISIONS					
P	LTR	DESCRIPTION	DATE	DWN	APVD



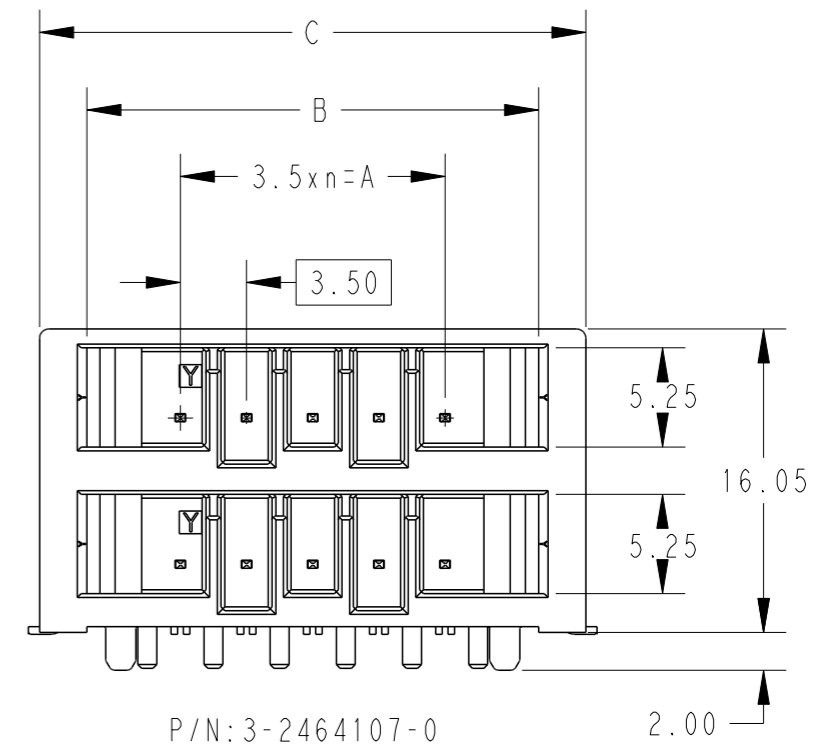
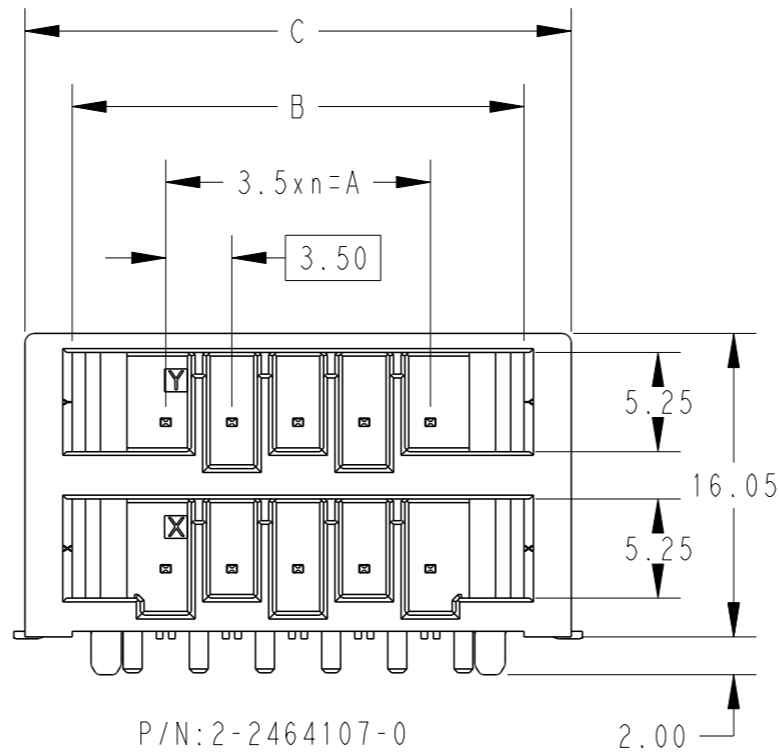
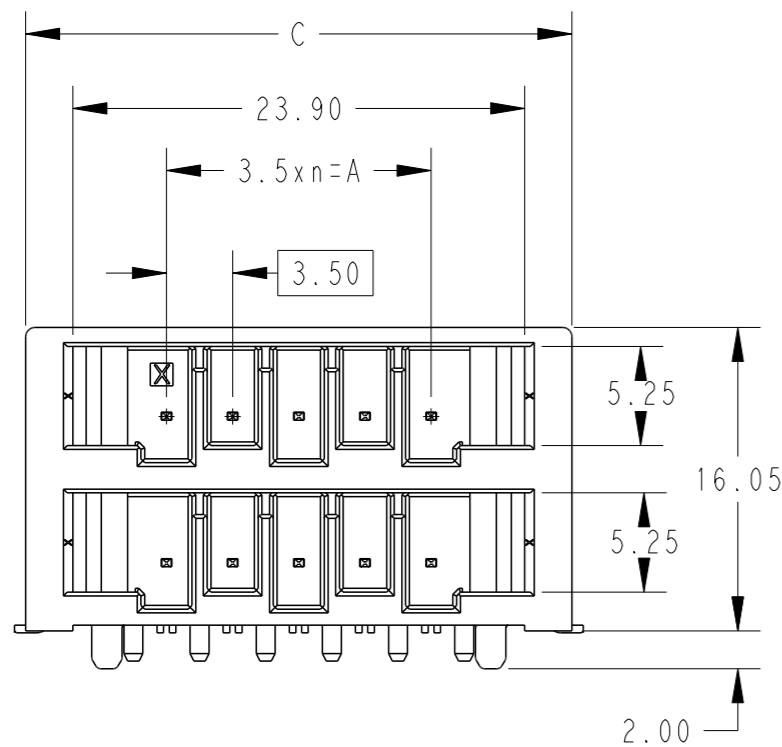
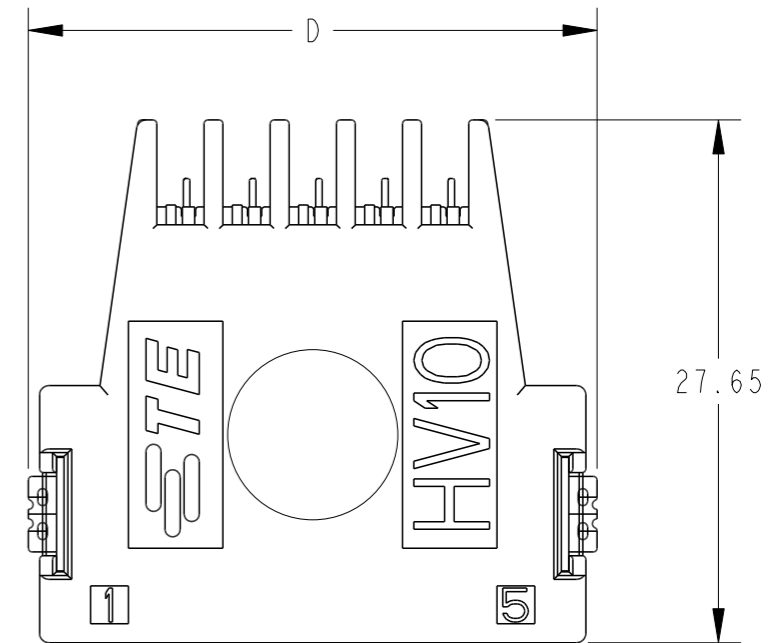
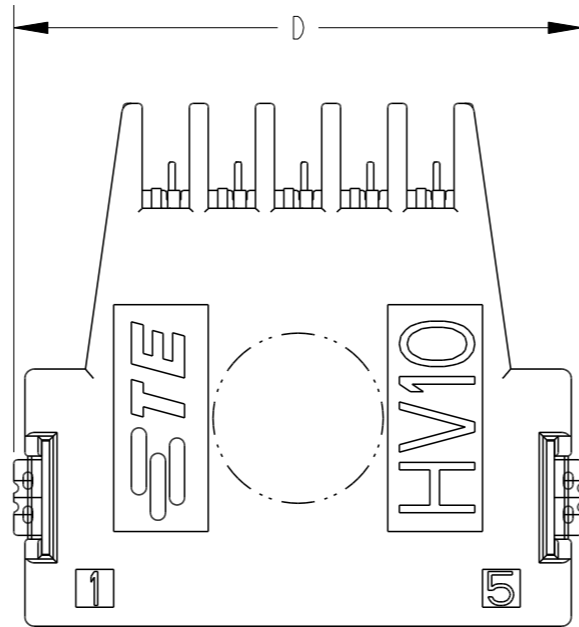
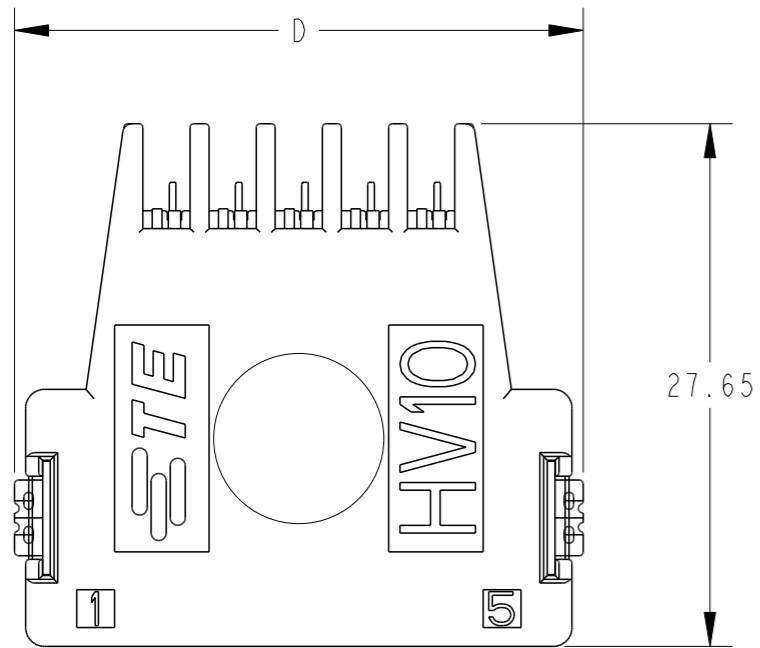
P/N:1-2464107-2
(12POS:XX-KEY)

P/N:2-2464107-2
(12POS:XY-KEY)

P/N:3-2464107-2
(12POS:YY-KEY)

THIS DRAWING IS A CONTROLLED DOCUMENT.		DWN Fisher ZHU 28AUG2024	 TE Connectivity		
DIMENSIONS: mm		CHK Rick BIAN 28AUG2024			
TOLERANCES UNLESS OTHERWISE SPECIFIED:		APVD Rick BIAN 28AUG2024	NAME DYNAMIC HV10 HDR ASSY CONN H-TYPE, DUAL ROW 10-16POS		
		PRODUCT SPEC 108-161098	DRAWING NO C-2464107		
MATERIAL TBD		APPLICATION SPEC 114-161004	SIZE A3	CAGE CODE 00779	RESTRICTED TO -
FINISH -		WEIGHT -	SCALE 5:2		
-		CUSTOMER DRAWING			SHEET 2 OF 3
-		REV A			

REVISIONS				
P	LTR	DESCRIPTION	DATE	APVD



P/N: 1-2464107-0
(10POS:XX-KEY)

P/N: 2-2464107-0
(10POS:XY-KEY)

P/N: 3-2464107-0
(10POS:YY-KEY)

THIS DRAWING IS A CONTROLLED DOCUMENT.

DIMENSIONS:	TOLERANCES UNLESS OTHERWISE SPECIFIED:
mm	0 PLC ±0.3
	1 PLC ±0.3
	2 PLC ±0.3
	3 PLC ±0.3
	4 PLC ±0.3
MATERIAL	FINISH ±3°

DWN	28AUG2024
CHK	Fisher ZHU
APVD	28AUG2024
APVD	Rick BIAN
APVD	Rick BIAN
PRODUCT SPEC	108-161098
APPLICATION SPEC	114-161004
WEIGHT	-



NAME
DYNAMIC HV10 HDR ASSY CONN
H-TYPE, DUAL ROW, 10-16POS

SIZE	CAGE CODE	DRAWING NO	RESTRICTED TO
A3	00779	C=2464107	-