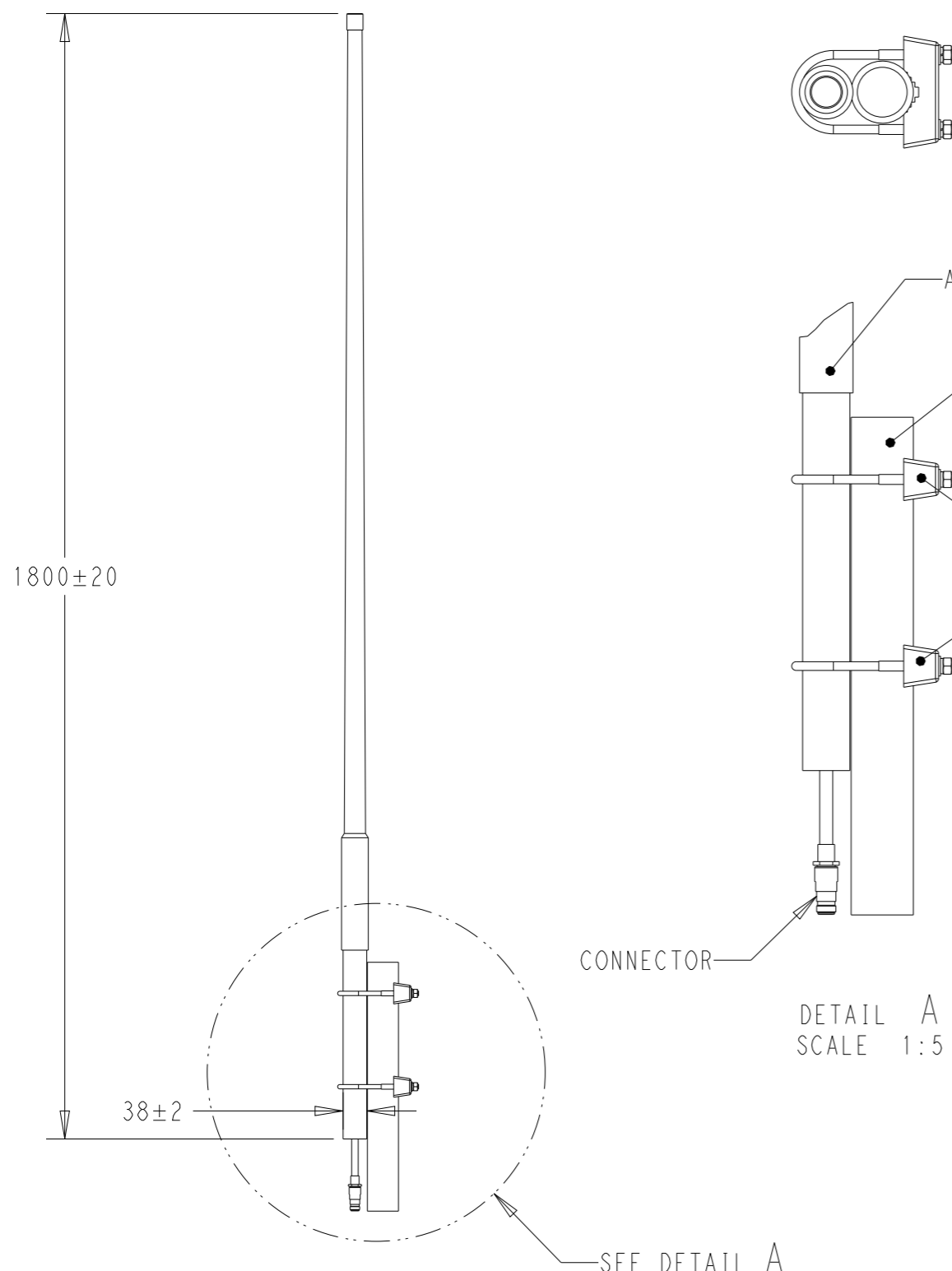


P	LTR	DESCRIPTION	DATE	DWN	APVD
	1	PRELIMINARY	20JAN25	YS	CY
	2	INITIAL RELEASED	12SEP25	YS	CY
	A	PACKAGING DIMENSION UPDATED	24SEP2025	IS	YS



SPECIFICATIONS TABLE

TE Part Number	L001065-01
Dimension - Height x Diameter - mm (in.)	1809 x 46 ϕ (71.22 x 1.81 ϕ)
Weight - kg (lbs.)	1.6 (3.5)* *Antenna Only - Not Including Mounting Bracket
Radome	Fiberglass
Connector	N-Type Female
Cable Length - mm (in.)	500 (19.7)
Mast Mounting Diameter - mm (in.)	40-50 (1.57-1.97)

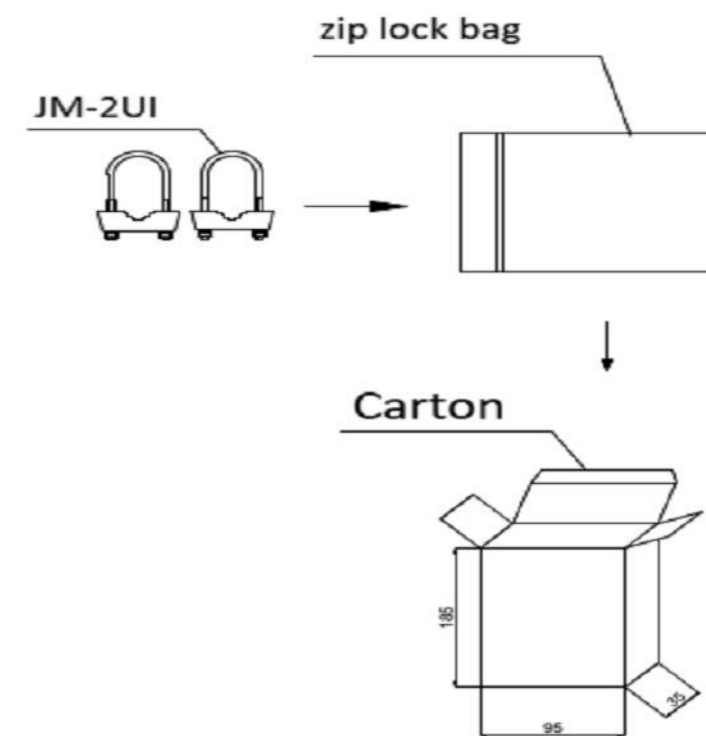
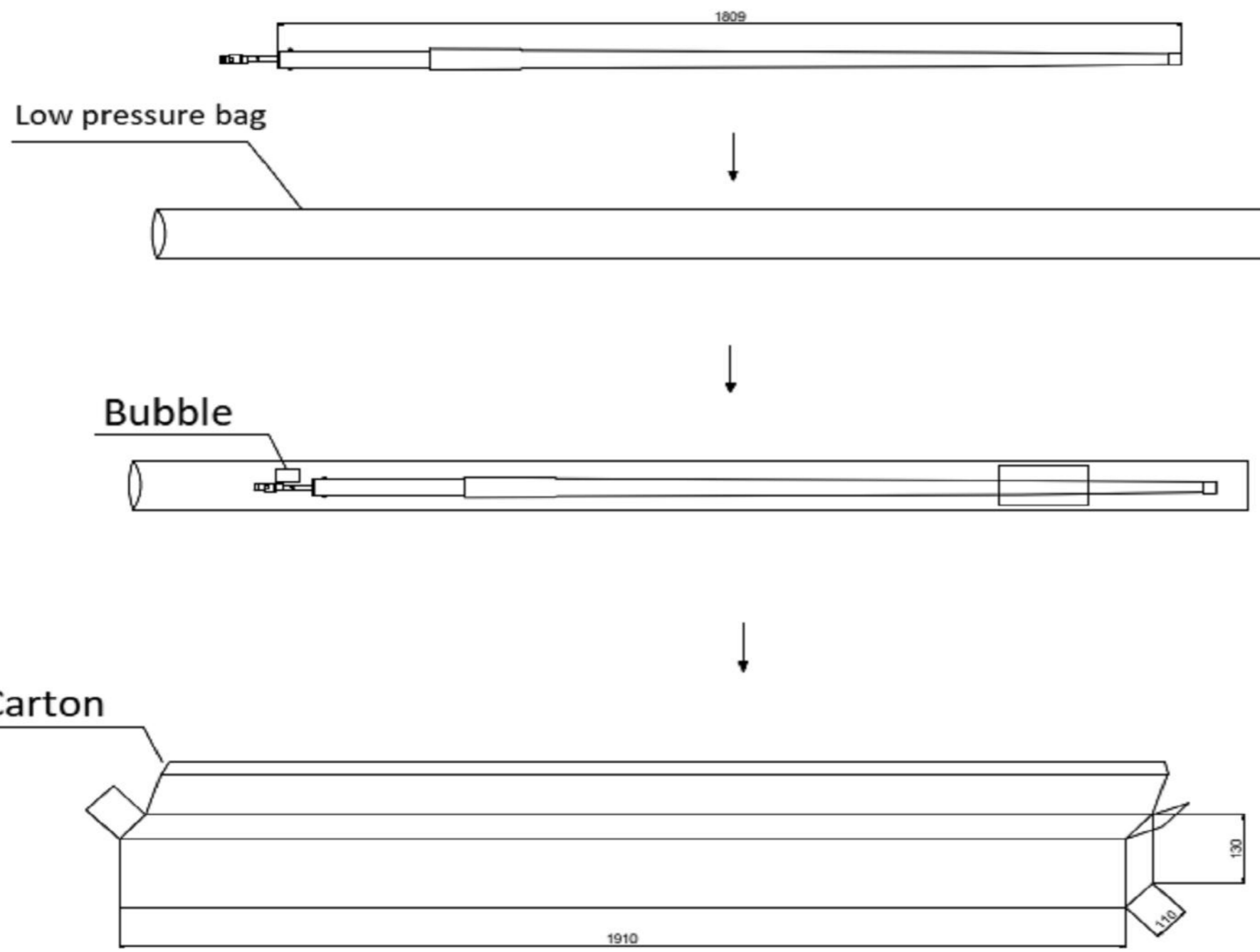
DETAIL A
SCALE 1:5

SCALE 1:10

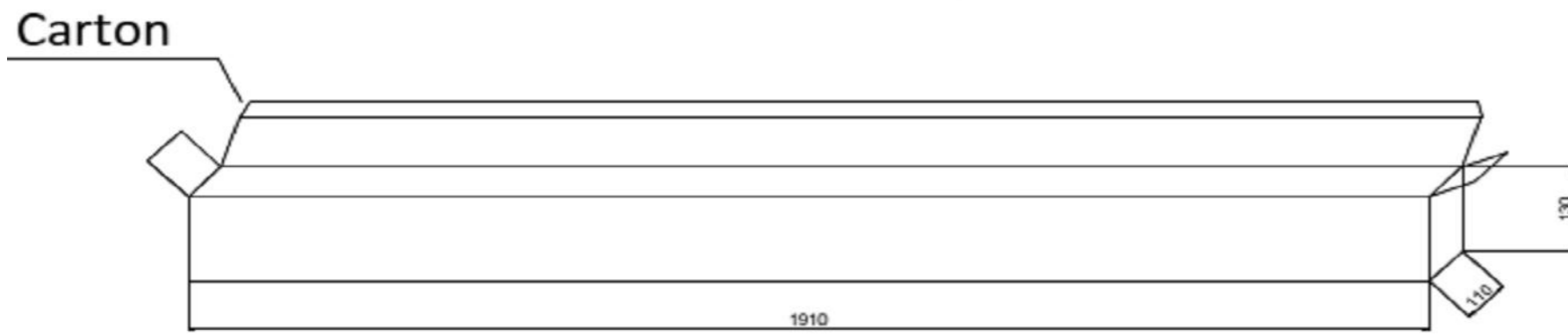
THIS DRAWING IS A CONTROLLED DOCUMENT.		DWN ISKANDAR 12SEP25		
		CHK NG TZEYUEN 12SEP25		
		APVD CY HANG 12SEP25		
		NAME 400-430MHz BATON 6.0dBi, 1.8m		
DIMENSIONS: mm	TOLERANCES UNLESS OTHERWISE SPECIFIED:	PRODUCT SPEC	RESTRICTED TO	
	0 PLC \pm -	APPLICATION SPEC	-	
	1 PLC \pm 0.1	WEIGHT	-	
	2 PLC \pm 0.01	CUSTOMER DRAWING	SCALE 1:15	SHEET 1 OF 5
	3 PLC \pm 0.001		SIZE A3	CAGE CODE 00779
	4 PLC \pm 0.0001		DRAWING NO. L001065	REV A
	ANGLES \pm -			
MATERIAL	FINISH			

REVISIONS

P	LTR	DESCRIPTION	DATE	DWN	APVD
-	-	SEE SHEET 1	-	-	-



NO.	Name	Description	QTY.
7	Carton	AEC 95*35*185	1
6	Zip lock bag		1
5	JM-2UI	Silver coating	2
4	Carton	A8 K=K 1910*110*130	1
3	Bubble	50*40*30	1
2	Low pressure bag	PE 110*2300	1
1	Antenna	L1809W46H46	1

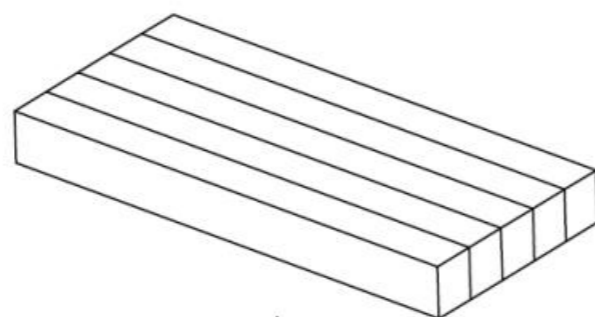


THIS DRAWING IS A CONTROLLED DOCUMENT.

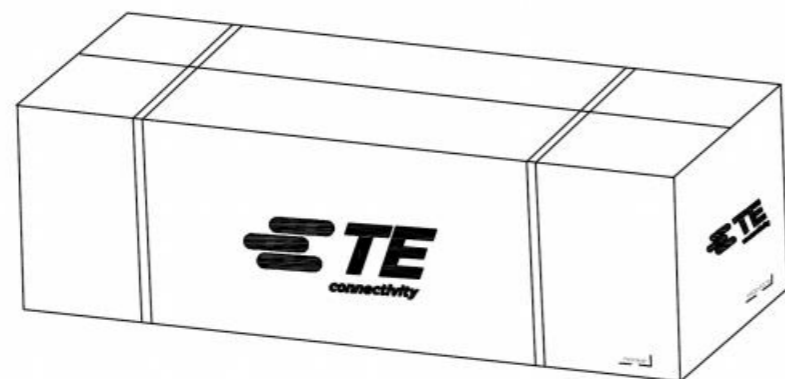
DIMENSIONS: mm	TOLERANCES UNLESS OTHERWISE SPECIFIED: 0 PLC ±- 1 PLC ±0.1 2 PLC ±0.01 3 PLC ±0.001 4 PLC ±0.0001 ANGLES ±-	DWN ISKANDAR 12SEP25 CHK NG TZEYUEN 12SEP25 APVD CY HANG 12SEP25 PRODUCT SPEC - APPLICATION SPEC - WEIGHT -		
MATERIAL -	FINISH -	NAME 400-430MHZ BATON 6.0dBi, 1.8m	SIZE A3	CAGE CODE 00779
		DRAWING NO. C=L001065	RESTRICTED TO -	
		CUSTOMER DRAWING	SCALE 1:15	SHEET 2 OF 5
			REV A	

REVISIONS

P	LTR	DESCRIPTION	DATE	DWN	APVD
	-	SEE SHEET 1	-	-	-



FROM TE SAP SYSTEM LABEL



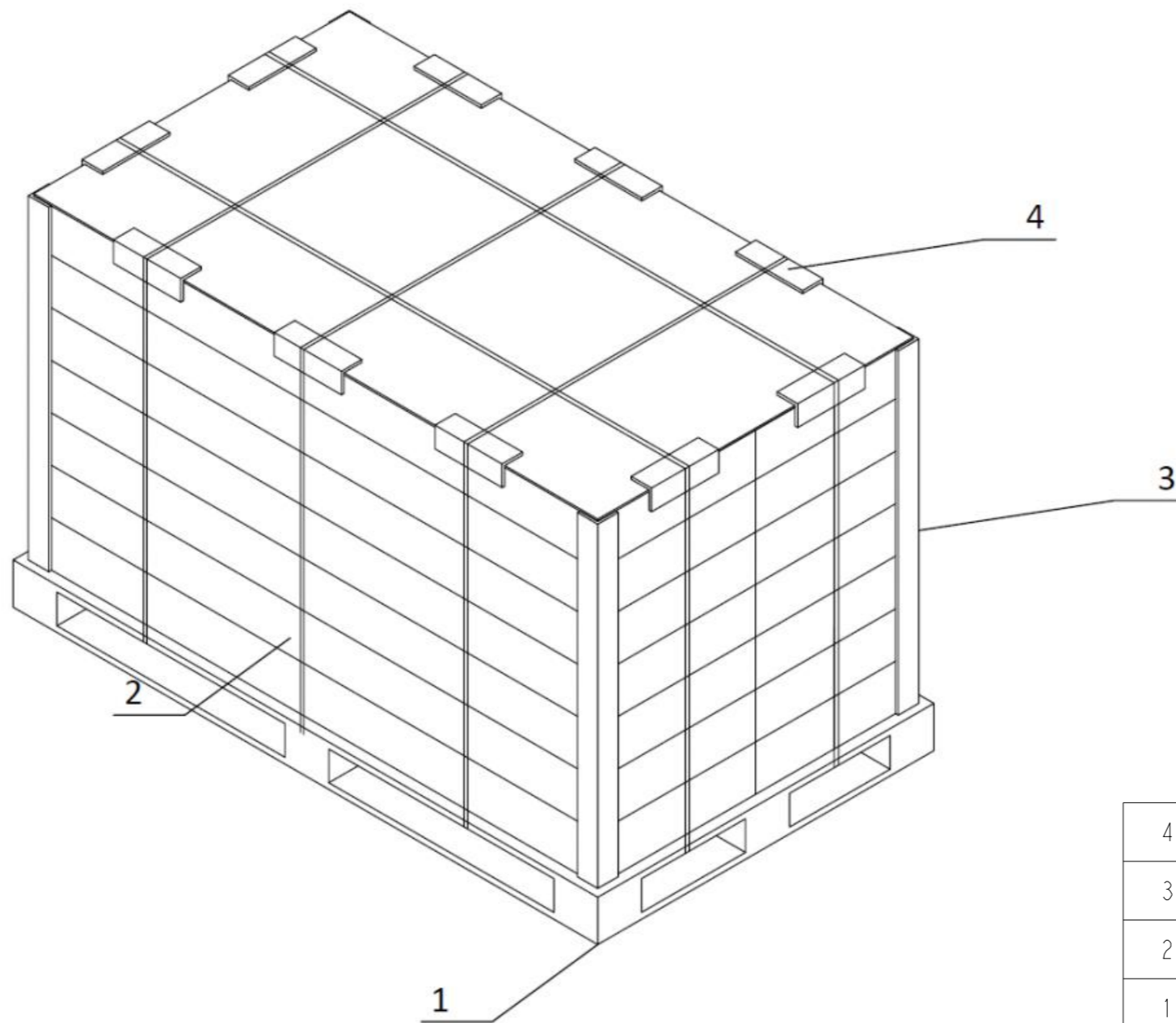
4	Packing strap	PP	4200MM
3	sealing compound	PE	1250MM
2	Carton	A8 K=K 1930*580*180	1
1	Antenna	L1809W46H46	5
NO.	Name	Description	QTY.

THIS DRAWING IS A CONTROLLED DOCUMENT.

DIMENSIONS: mm		TOLERANCES UNLESS OTHERWISE SPECIFIED:	
		0 PLC	±-
		1 PLC	±0.1
		2 PLC	±0.01
		3 PLC	±0.001
		4 PLC	±0.0001
MATERIAL		FINISH	
-		-	

DWN	ISKANDAR	12SEP25				
CHK	NG TZEYUEN	12SEP25				
APVD	CY HANG	12SEP25				
PRODUCT SPEC						NAME
APPLICATION SPEC			400-430MHZ BATON			
WEIGHT			6.0dBi, 1.8m			
CUSTOMER DRAWING			SIZE	CAGE CODE	DRAWING NO	RESTRICTED TO
			A3	00779	©-L001065	-
			SCALE	SHEET	REV	
			1:15	3 OF 5	A	

P	LTR	DESCRIPTION	DATE	DWN	APVD
-		SEE SHEET 1	-	-	-



4	Paper corner protector	70*70*230	10
3	Paper corner protector	70*70*1260	4
2	Carton	1930*580*180	14
1	Wooden pallet	L1980W1200H145	1
NO.	Name	Description	QTY.

THIS DRAWING IS A CONTROLLED DOCUMENT.

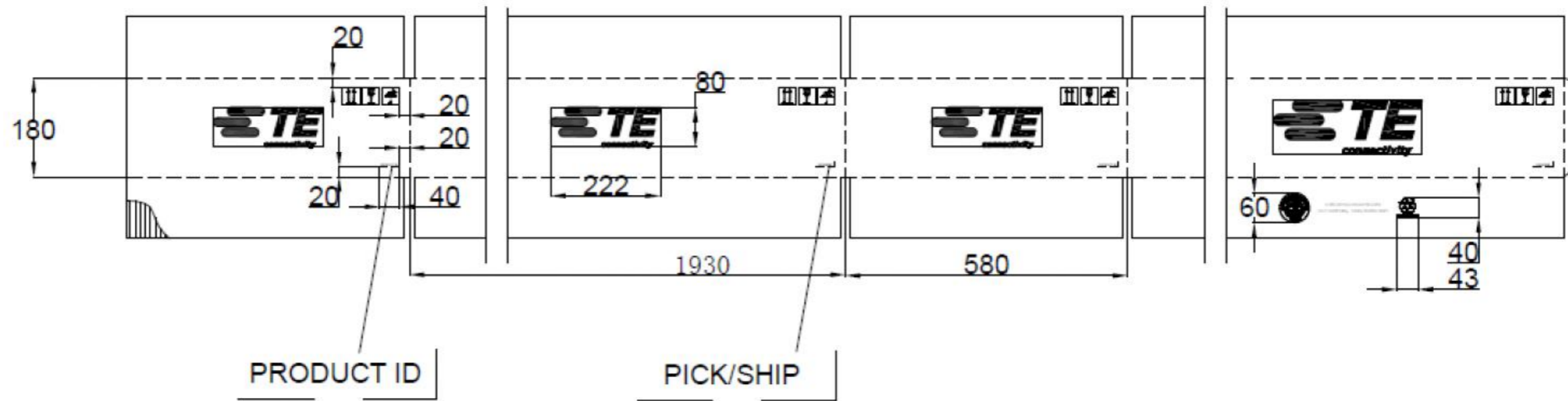
DIMENSIONS:	
mm	
MATERIAL	
-	

TOLERANCES UNLESS OTHERWISE SPECIFIED:	
0 PLC	±-
1 PLC	±0.1
2 PLC	±0.01
3 PLC	±0.001
4 PLC	±0.0001
ANGLES	
±-	
FINISH	
-	

DWN	ISKANDAR	12SEP25
CHK	NG TZEYUEN	12SEP25
APVD	CY HANG	12SEP25
PRODUCT SPEC	-	
APPLICATION SPEC	-	
WEIGHT	-	
CUSTOMER DRAWING		

NAME 400-430MHz BATON 6.0dBi, 1.8m			
SIZE	CAGE CODE	DRAWING NO	RESTRICTED TO
A3	00779	©-L001065	-
SCALE 1:15		SHEET 4 OF 5	REV A

P	LTR	DESCRIPTION	DATE	DWN	APVD
-	-	SEE SHEET 1	-	-	-



This border is only for positioning, not printing

QC Stamp Provided by the Carton Vendor

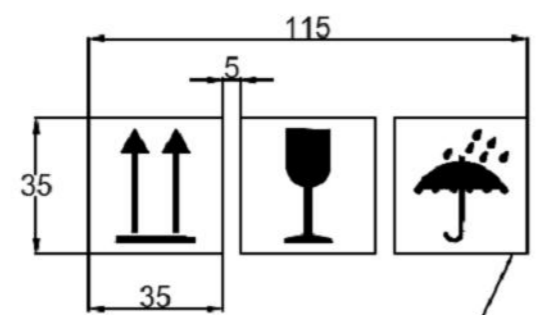


Corrugated Cardboard Material and Weight

K250-M150-K180-M150-K250
OUT SIDE DIM: 1930Lx580Wx180H



Outer Dimension of the Carton



This border is only for positioning, not printing

THIS DRAWING IS A CONTROLLED DOCUMENT.		DWN ISKANDAR 12SEP25		
DIMENSIONS: mm		CHK NG TZEYUEN 12SEP25		
TOLERANCES UNLESS OTHERWISE SPECIFIED:		APVD CY HANG 12SEP25	NAME 400-430MHz BATON 6.0dBi, 1.8m	
0 PLC ±-		PRODUCT SPEC -	SIZE A3 CAGE CODE 00779 DRAWING NO C=L001065 RESTRICTED TO -	
1 PLC ±0.1		APPLICATION SPEC -	SCALE 1:15 SHEET 5 OF 5 REV A	
2 PLC ±0.01		WEIGHT -	CUSTOMER DRAWING	
3 PLC ±0.001				
4 PLC ±0.0001				
ANGLES ±-				
MATERIAL -				
FINISH -				