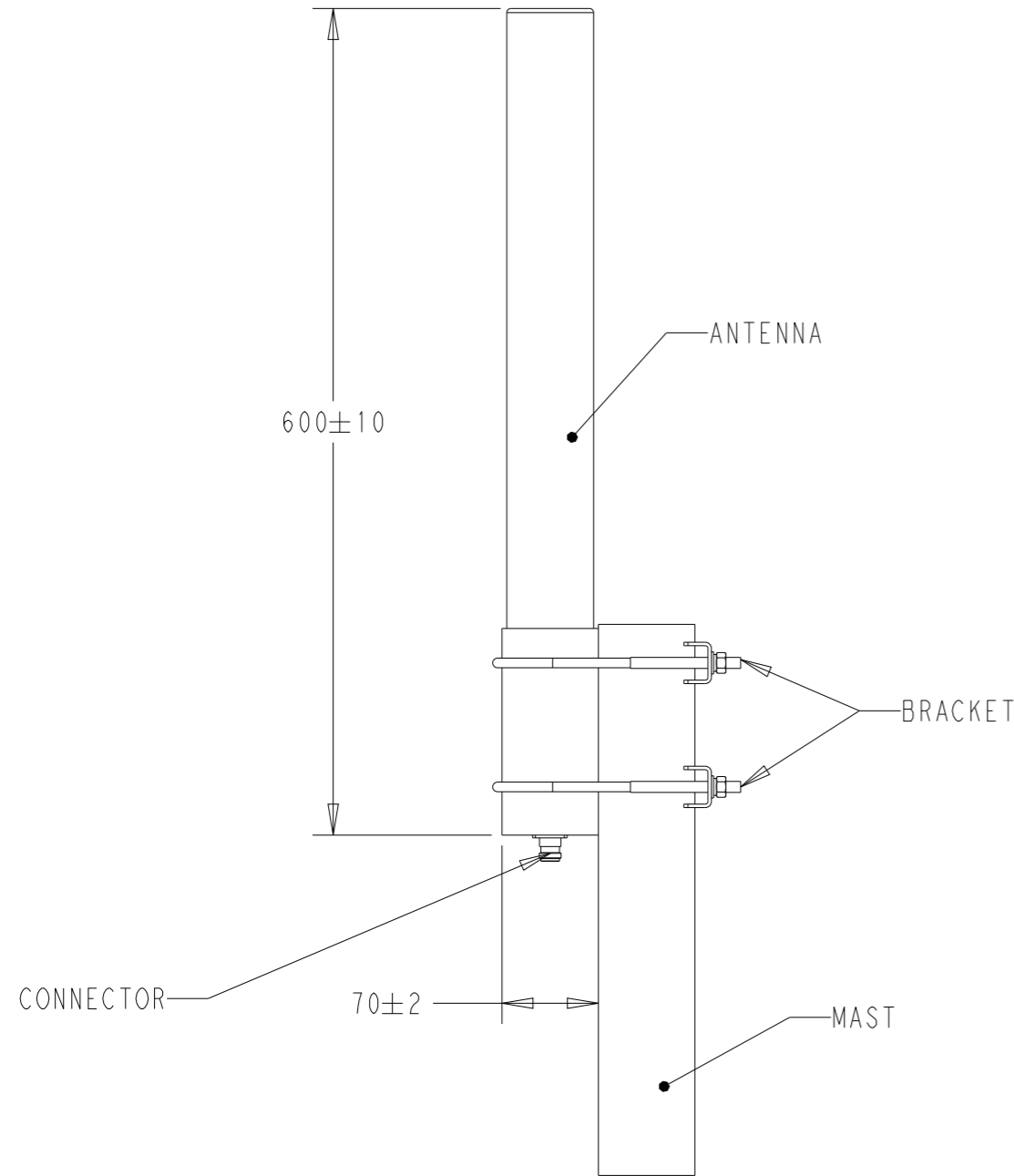
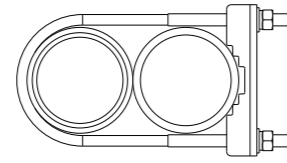


P	LTR	DESCRIPTION	DATE	DWN	APVD
	1	PRELIMINARY	20DEC25	YS	CY
	2	INITIAL RELEASED	12SEP25	YS	CY
	A	PACKAGING DIMENSION UPDATED	24SEP2025	IS	YS



SPECIFICATIONS TABLE

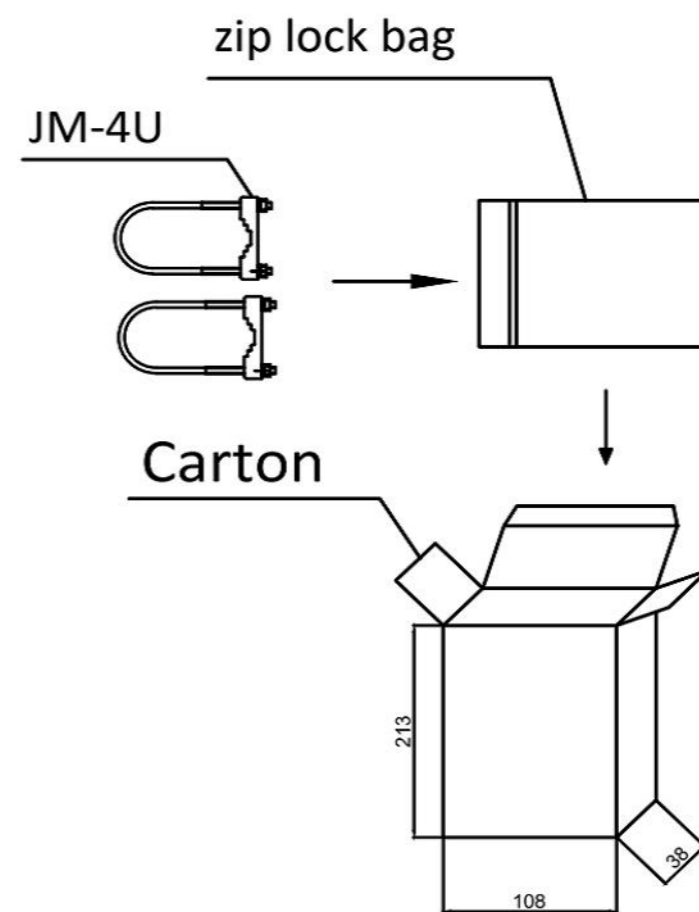
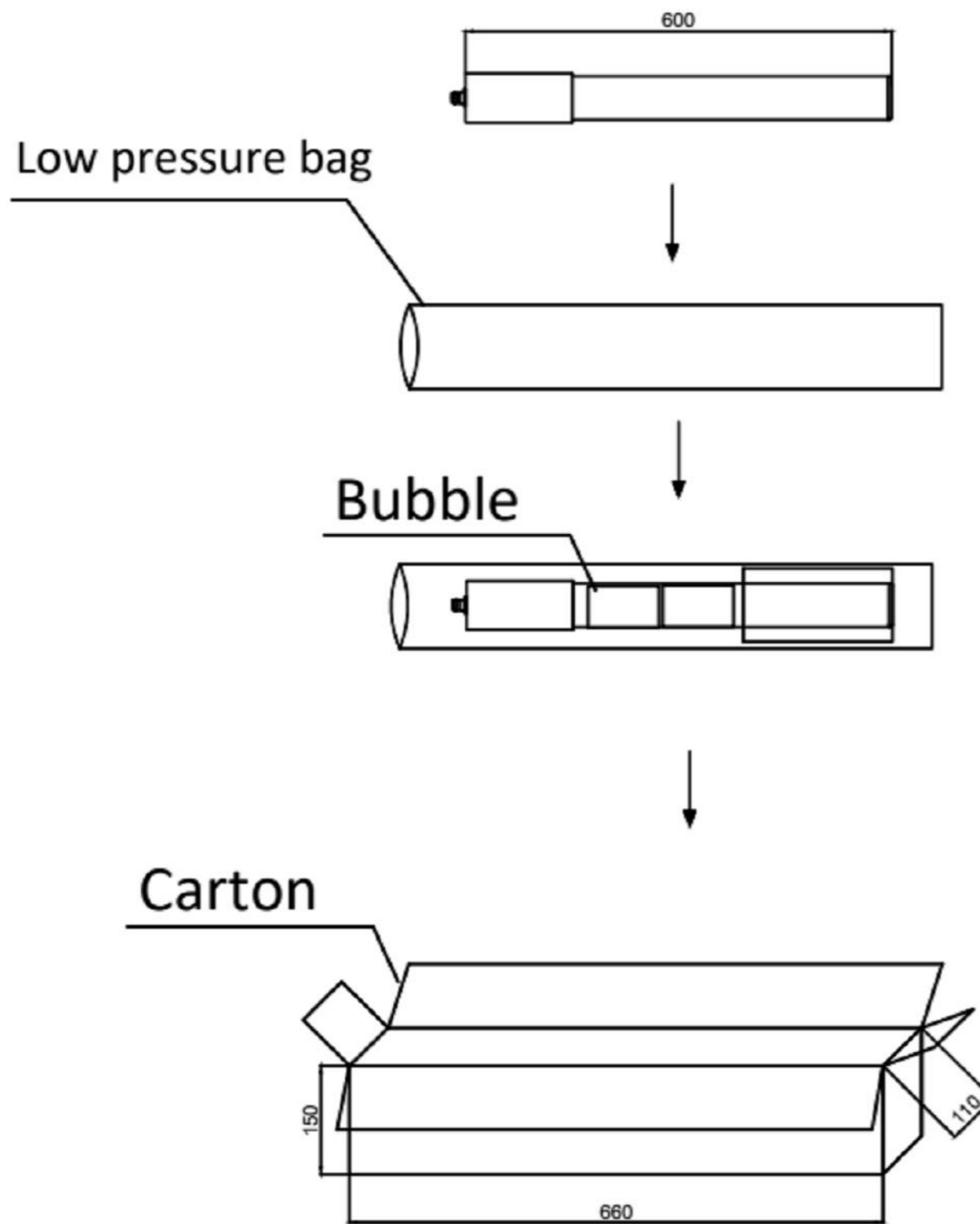
TE Part Number	L001066-01
Dimensions - Height x Diameter - mm (in.)	600 x 70 ϕ (23.6 x 2.8 ϕ)
Weight - kg (lbs.)	1.7 (3.75)* *Antenna Only - Not Including Mounting Bracket
Connector	N-Type Female
Radome Color/Material	White - Fiberglass
Mounting	Pole/ Mast - Bracket Supplied
Max Mast Diameter - mm (in.)	70 (2.8)

SCALE 1:5

THIS DRAWING IS A CONTROLLED DOCUMENT.		DWN	ISKANDAR	12SEP25		TE Connectivity		
DIMENSIONS: mm		CHK	NG TZEYUEN	12SEP25		NAME		
TOLERANCES UNLESS OTHERWISE SPECIFIED:		APVD	CY HANG	12SEP25		380-450MHz BATON		
0 PLC \pm - 1 PLC \pm 0.1 2 PLC \pm 0.01 3 PLC \pm 0.001 4 PLC \pm 0.0001 ANGLES \pm -		PRODUCT SPEC	2.5dBi, 600mm			-		
MATERIAL		FINISH	APPLICATION SPEC		-		RESTRICTED TO	
		WEIGHT	-		SIZE	CAGE CODE	DRAWING NO	
		CUSTOMER DRAWING		SCALE	7:60	SHEET	1 OF 4	
				A3 00779		G=L001066		
						REV A		

REVISIONS

P	LTR	DESCRIPTION	DATE	DWN	APVD
-	-	SEE SHEET 1	-	-	-



NO.	Name	Description	QTY.
7	Carton	A8 AEC 108*38*213	1
6	Zip lock bag		1
5	JM-4U	Silver coating	2
4	Carton	A8 K=K 660*110*150	1
3	Bubble	100*60*30	2
2	Low pressure bag	PE 120*750	1
1	Antenna	L600W70H70	1

THIS DRAWING IS A CONTROLLED DOCUMENT.

DIMENSIONS: mm	TOLERANCES UNLESS OTHERWISE SPECIFIED:
	0 PLC ±-
	1 PLC ±0.1
	2 PLC ±0.01
	3 PLC ±0.001
	4 PLC ±0.0001
	ANGLES ±-
MATERIAL	FINISH

DWN	ISKANDAR	12SEP25
CHK	NG TZEYUEN	12SEP25
APVD	CY HANG	12SEP25
PRODUCT SPEC	-	
APPLICATION SPEC	-	
WEIGHT	-	
CUSTOMER DRAWING		

TE TE Connectivity

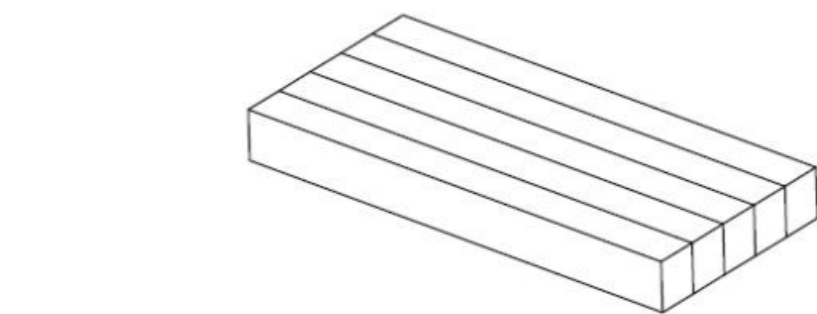
NAME: 380-450MHz BATON
2.5dBi, 600mm

SIZE	CAGE CODE	DRAWING NO	RESTRICTED TO
A3	00779	©-L001066	-

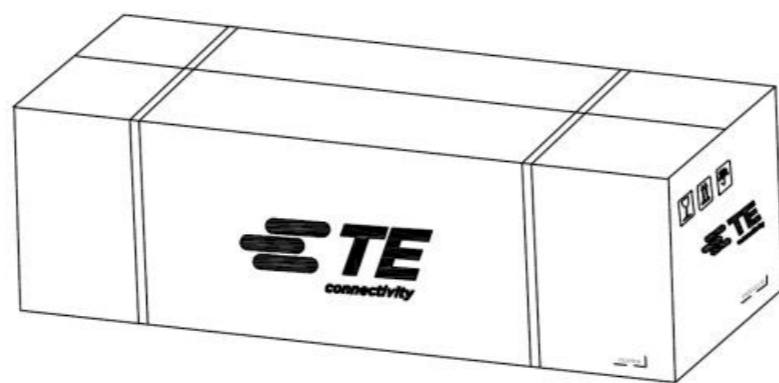
SCALE: 7:60 SHEET: 2 OF 4 REV: A

REVISIONS

P	LTR	DESCRIPTION	DATE	DWN	APVD
	-	SEE SHEET 1	-	-	-



FROM TE SAP SYSTEM LABEL



NO.	Name	Description	QTY.
4	Packing strap	PP	4200MM
3	sealing compound	PE	1250MM
2	Carton	A8 K=K 680*580*200	1
1	Antenna	L600W70H70	5

THIS DRAWING IS A CONTROLLED DOCUMENT.

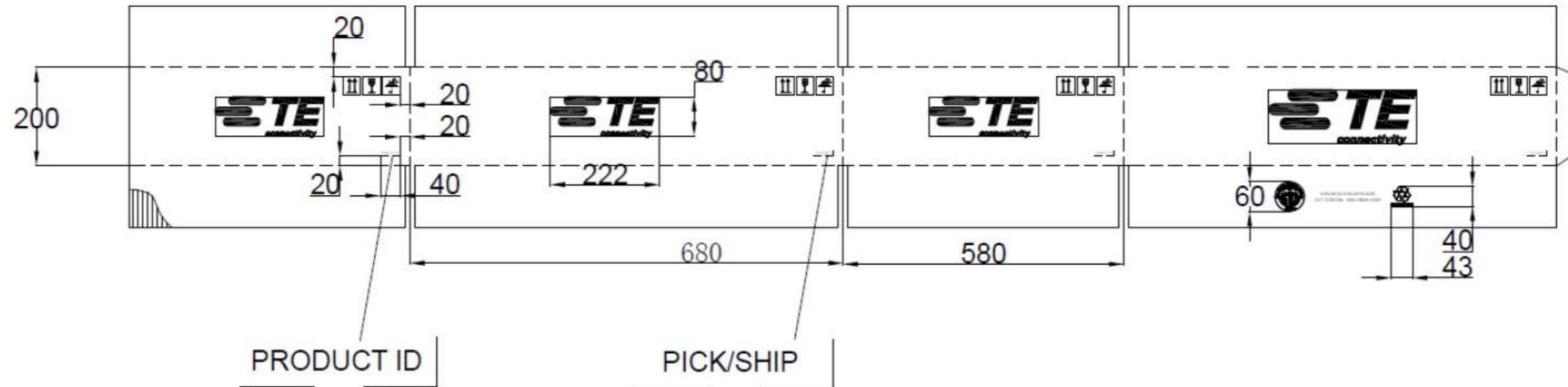
DIMENSIONS: mm		TOLERANCES UNLESS OTHERWISE SPECIFIED:	
		0 PLC	±-
		1 PLC	±0.1
		2 PLC	±0.01
		3 PLC	±0.001
		4 PLC	±0.0001
MATERIAL		FINISH	

DWN	ISKANDAR	12SEP25
CHK	NG TZEYUEN	12SEP25
APVD	CY HANG	12SEP25
PRODUCT SPEC	-	
APPLICATION SPEC	-	
WEIGHT	-	
CUSTOMER DRAWING		

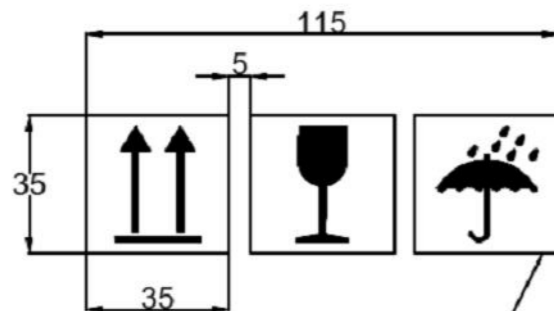
		TE Connectivity	
		NAME 380-450MHz BATON 2.5dBi, 600mm	
SIZE	CAGE CODE	DRAWING NO	RESTRICTED TO
A3	00779	©-L001066	-
SCALE 7:60		SHEET 3 OF 4	REV A

REVISIONS

P	LTR	DESCRIPTION	DATE	DWN	APVD
-	-	SEE SHEET 1	-	-	-



This border is only for positioning, not printing



This border is only for positioning, not printing

QC Stamp Provided by the Carton Vendor



Corrugated Cardboard Material and Weight

K250-M150-K180-M150-K250
OUT SIDE DIM: 680L×580W×200H



Outer Dimension of the Carton

THIS DRAWING IS A CONTROLLED DOCUMENT.		DWN ISKANDAR 12SEP25		
DIMENSIONS: mm		CHK NG TZEYUEN 12SEP25		
TOLERANCES UNLESS OTHERWISE SPECIFIED:		APVD CY HANG 12SEP25	NAME 380-450MHz BATON 2.5dBi, 600mm	
0 PLC ±-		PRODUCT SPEC -	APPLICATION SPEC -	
1 PLC ±0.1		WEIGHT -	SIZE A3	CAGE CODE 00779
2 PLC ±0.01		FINISH	DRAWING NO C=L001066	RESTRICTED TO -
3 PLC ±0.001			CUSTOMER DRAWING	SCALE 7:60
4 PLC ±0.0001		REV A		
ANGLES ±-				