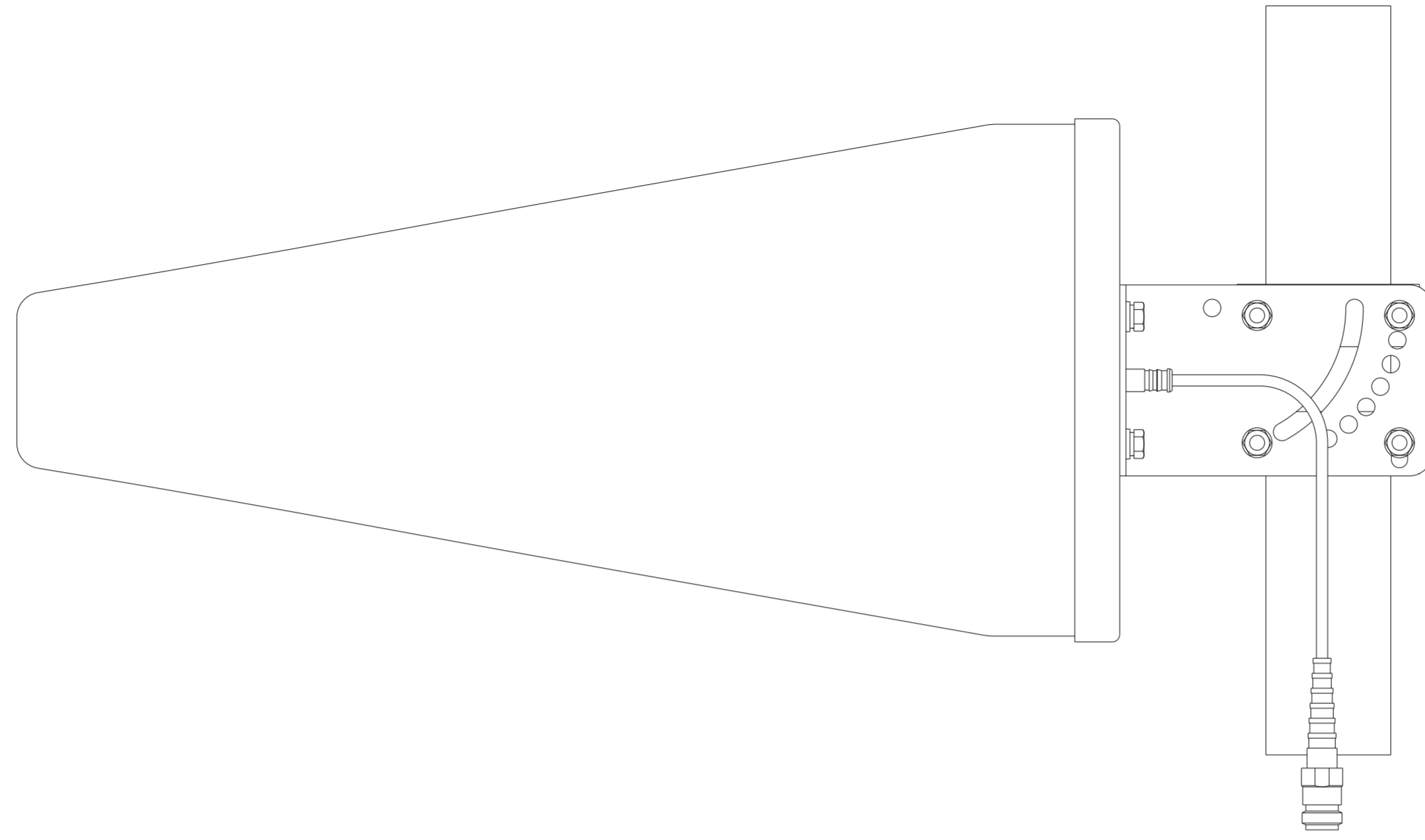
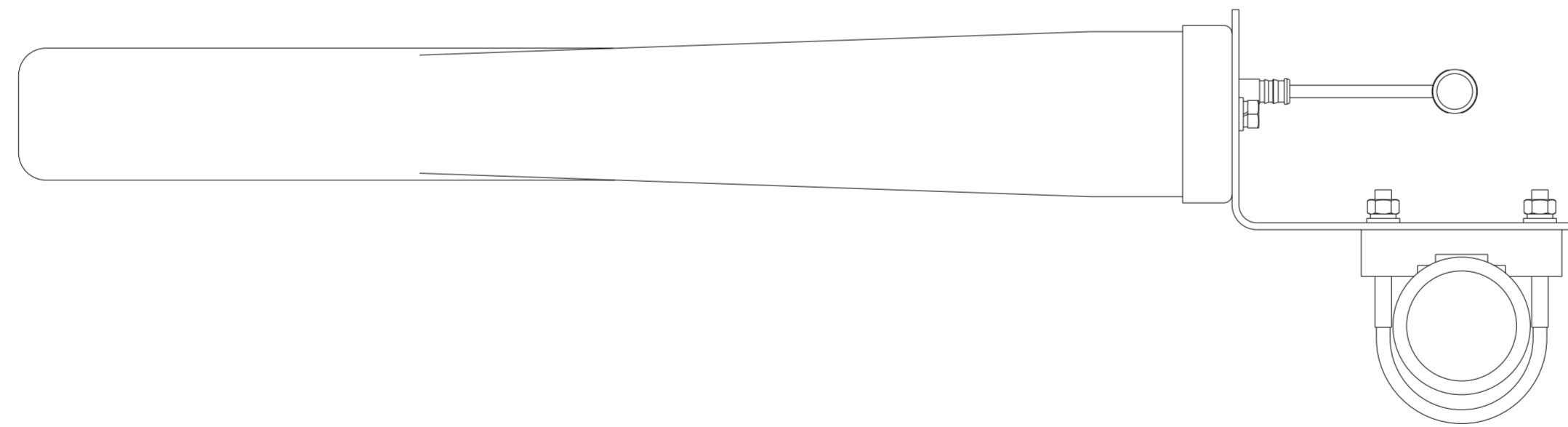


REVISIONS				
P	LTR	DESCRIPTION	DATE	APVD
1		INITIAL RELEASE	05DEC2024	IZZ
2		UPDATE TOL	17DEC2024	IZZ
A1		UPDATE CARTON BOX DIM.	12AUG2025	YS
A2		UPDATE SPEC. TABLE	19SEP2025	YS




SCALE 1:2

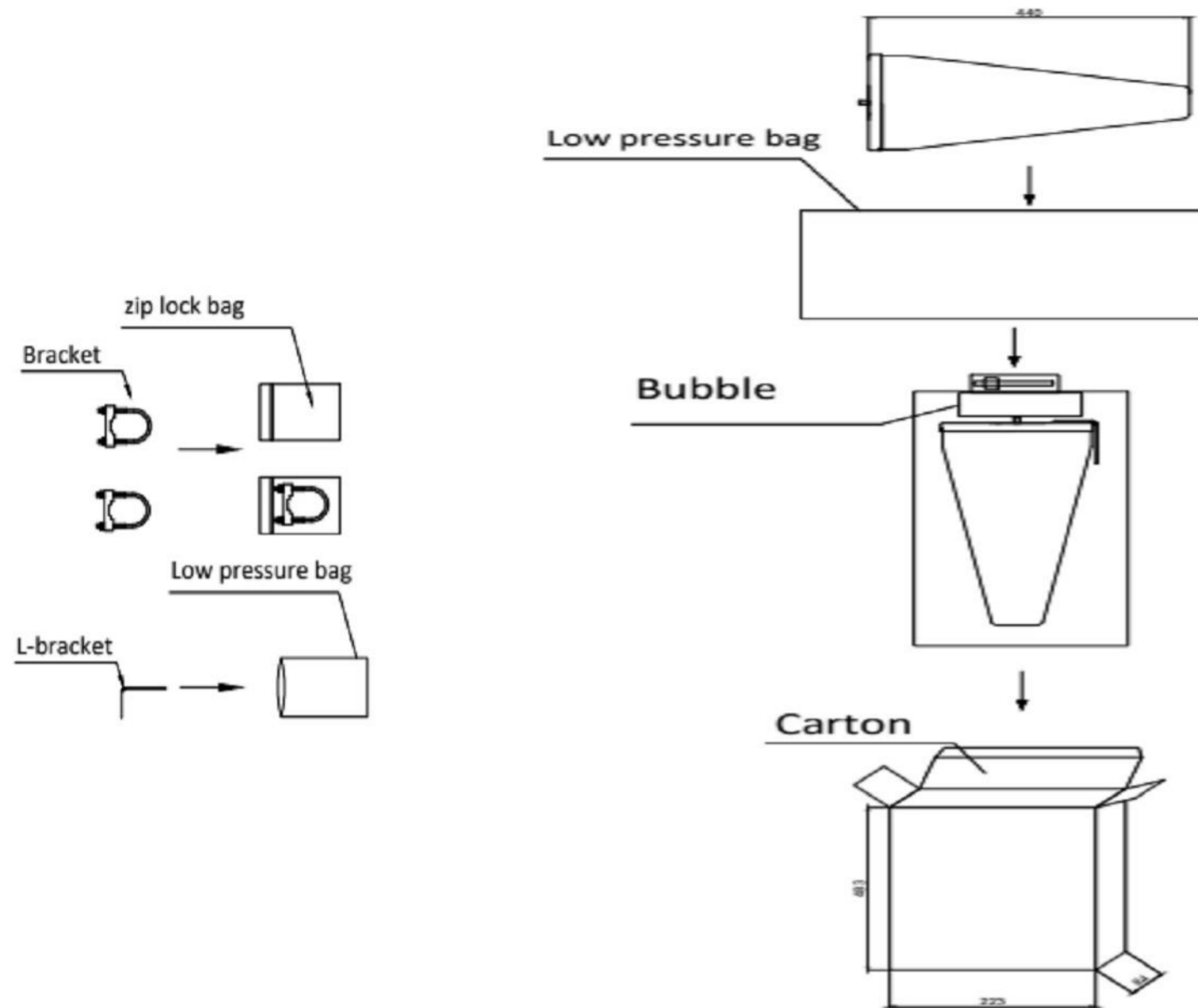


PART NUMBER	L001067-01
Connector	N Female
Exposed cable size (cm)	30
Antenna size mm (in.)	440 x 210 x 65 (17.3 x 8.3 x 2.6)
Weight (kg)	1.0(Antenna only - Not including mounting bracket)
Radome material	ABS
Radome color	White
Operating temperature °C (°F)	-40 to +85 (-40 to 185°F)
Application	Indoor / Outdoor
Mechanical tilt (°)	0 to 60
Rated wind velocity mph (km/h)	125 (201)
Suitable pole diameter (mm)	Ø25-50
Mounting kit	Included

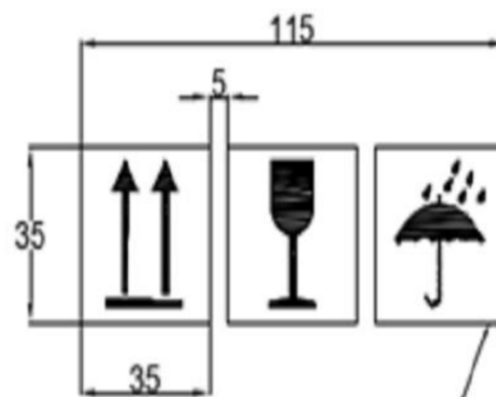
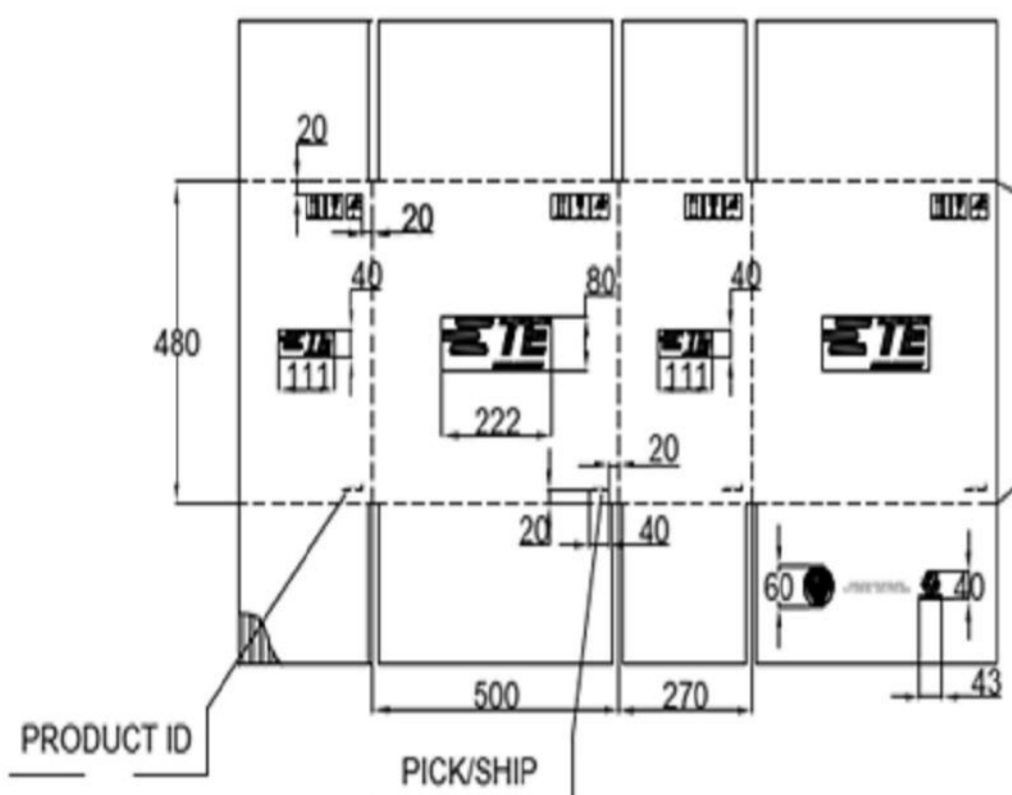
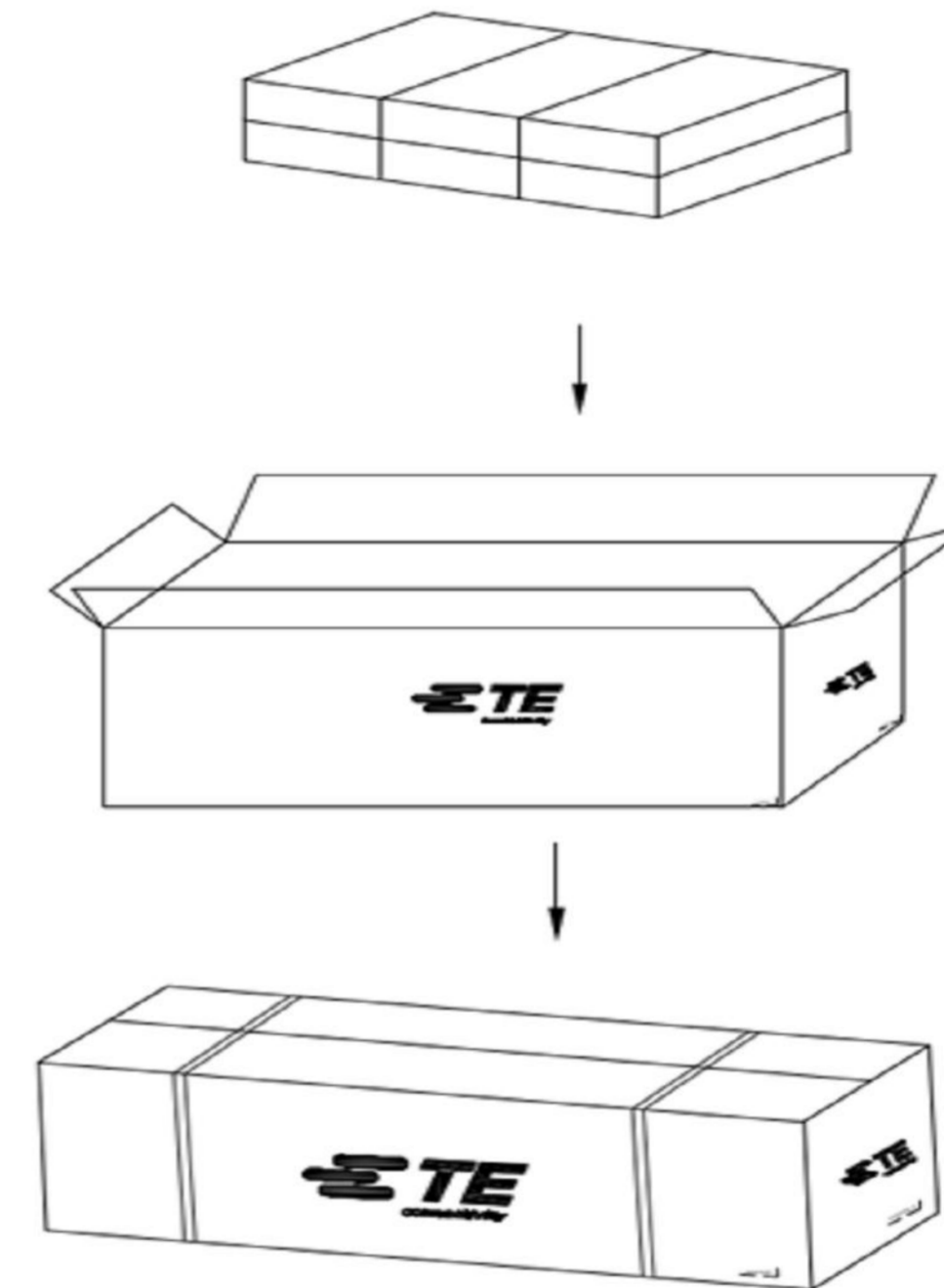
- NOTES:
1. REFER DATASHEET: ANT-DS-L001067
  2. FREQUENCY RANGE: SEE TABLE
  3. PATTERN:OMNI-DIRECTIONAL
  4. POLARIZATION:LINEAR
  5. MAX. INPUT POWER:TBD
  6. OPERATING TEMPERATURE:-40°C to 85°C (-40 TO 185°F)
  7. MATERIAL: OUTDOOR ABS, WHITE

THIS DRAWING IS A CONTROLLED DOCUMENT.		DWN IZZUDDIN 12DEC2024	 TE Connectivity	
DIMENSIONS: mm		CHK CY HANG 12DEC2024		
TOLERANCES UNLESS OTHERWISE SPECIFIED:		APVD CY HANG 12DEC2024	NAME 617-6000MHz , 9dBi Log-Periodic Antenna	
0 PLC ±0.25		PRODUCT SPEC	SIZE A2	
1 PLC ±0.13		APPLICATION SPEC	CAGE CODE 00779	
2 PLC ±0.08		WEIGHT	DRAWING NO L001067	
3 PLC ±N/A		CUSTOMER DRAWING	RESTRICTED TO	
4 PLC ±N/A		SCALE 1:5	SHEET 1 OF 2	
ANGLES ±		REV A2		
FINISH				
MATERIAL SEE NOTES				

P	LTR	DESCRIPTION	DATE	DWN	APVD
-	-	SEE SHEET 1	-	-	-



TE PN	UNIT CARTON SIZE (L X W X H)MM	QTY PER CARTON (PCS)	MASTER CARTON SIZE (L X W X H)MM
L001067-01	483x223x84	6	500x270x480



This border is only for positioning, not printing



This border is only for positioning, not printing



QC Stamp Provided by the Carton Vendor

Corrugated Cardboard Material and Weight

K250-M150-K180-M150-K250  
OUT SIDE DIM: 500Lx270Wx480H

Outer Dimension of the Carton



THIS DRAWING IS A CONTROLLED DOCUMENT.		DWN: 12DEC2024	<b>STE</b> TE Connectivity	
DIMENSIONS: mm		CHK: 12DEC2024		
TOLERANCES UNLESS OTHERWISE SPECIFIED:		APVD: 12DEC2024	NAME: 617-6000MHz , 9dBi Log-Periodic Antenna	
0 PLC ±0.25		PRODUCT SPEC	SIZE: A2	
1 PLC ±0.13		APPLICATION SPEC	CAGE CODE: 00779	DRAWING NO: C-L001067
2 PLC ±0.08		WEIGHT	RESTRICTED TO	
3 PLC ±N/A		CUSTOMER DRAWING	SCALE: 1:5	SHEET: 2 OF 2
4 PLC ±N/A				REV: A2
ANGLES FINISH				
MATERIAL: SEE NOTES				