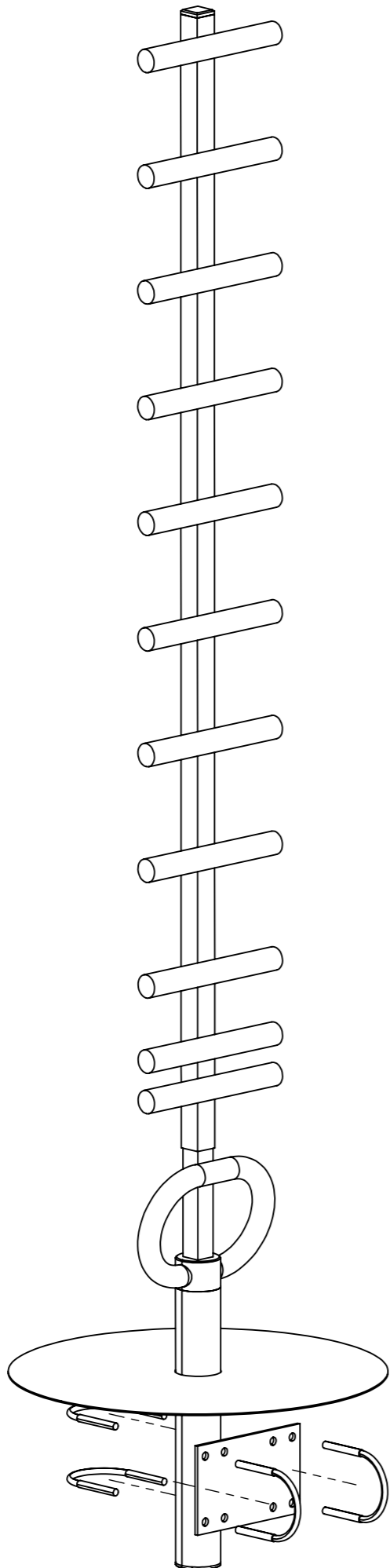


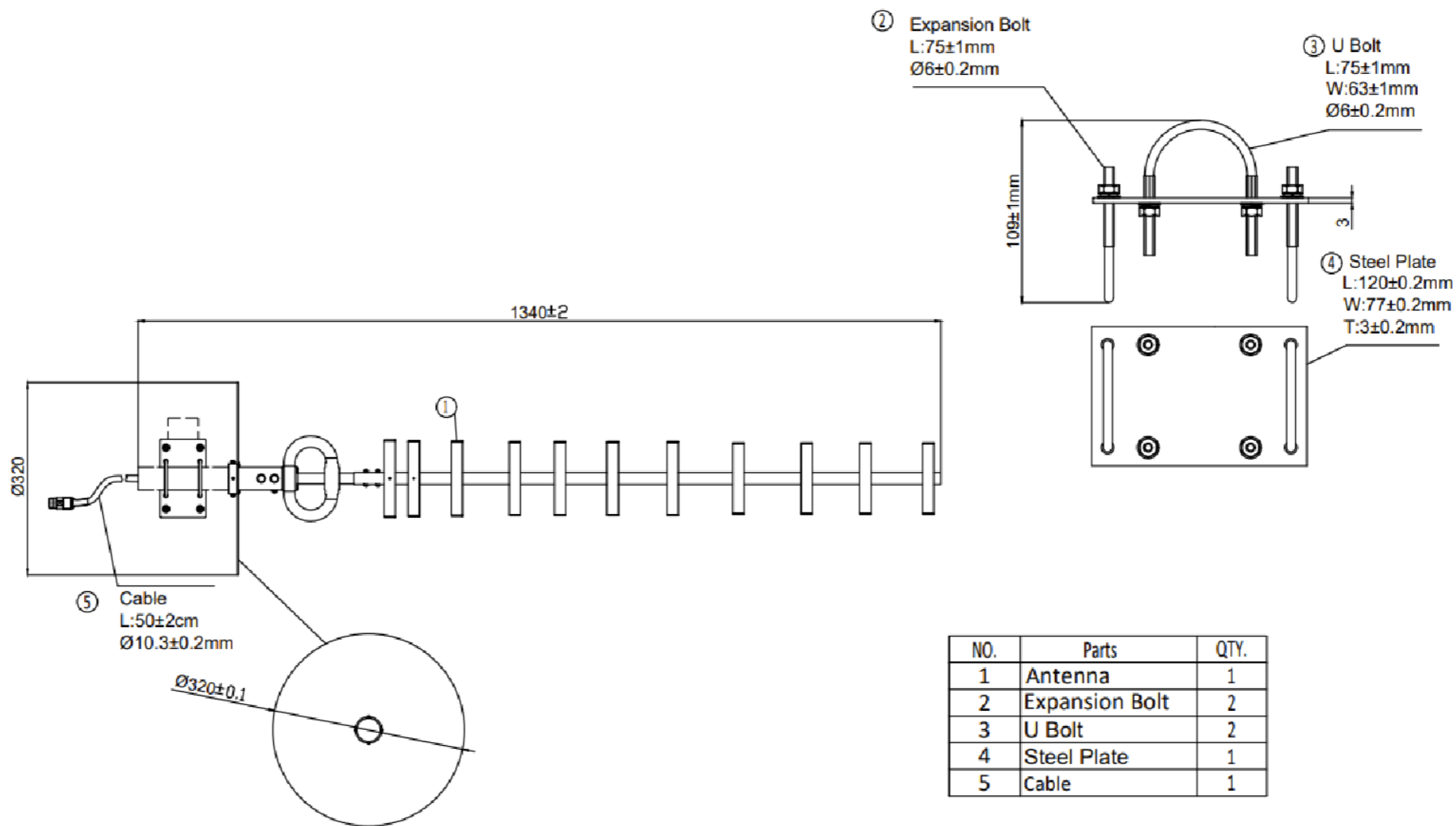
REVISIONS

REV	DESCRIPTION	DATE	DWN	APVD
A	INITIAL RELEASE	4FEB2025	MA	CY



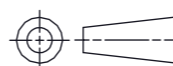
TCPN	L001068-01		
Number of Ports	1		
Elements	13		
Bandwidth (MHz)	262		
Frequency Bands (MHz)	698-780	790-940	945-960
Peak Gain Max. (dBi)	11	11	13
VSWR Max.	< 1.6:1		
Horizontal Beamwidth	20°~44°		
Vertical Beamwidth, °	29°~61°		
Front-to-Back Ratio (dB)	≥12.5		
Max Power - Ambient 25°C (W)	100		
Nominal Impedance	50Ω		
Polarization	Vertical or Horizontal		
Mast Diameter (mm)	∅25~∅50		
Weight (Kg)	1.45		
Connector	N-Female or Customized		

THIS DRAWING IS A CONTROLLED DOCUMENT.		DWN	4FEB2025		 <b>YAGI-UDA ANTENNA</b>
		CHK	ARFAN 5FEB2025		
		APVD	CY Hang 5FEB2025		
		PRODUCT SPEC	-		
		APPLICATION SPEC	-		NAME
DIMENSIONS: mm 		TOLERANCES UNLESS OTHERWISE SPECIFIED: 0 PLC ± 0.5 1 PLC ± 0.25 2 PLC ± 0.13 3 PLC ± 4 PLC ± ANGLES ± 30'		SIZE	RESTRICTED TO
MATERIAL		FINISH		WEIGHT	
				g	
CUSTOMER DRAWING			SCALE	1:5	SHEET 1 OF 5
			SIZE	A3	REV A
			CAGE CODE	00779	
			DRAWING NO	L001068	



THIS DRAWING IS A CONTROLLED DOCUMENT.

DIMENSIONS:  
mm



MATERIAL

TOLERANCES UNLESS OTHERWISE SPECIFIED:

- 0 PLC ± 0.5
- 1 PLC ± 0.25
- 2 PLC ± 0.13
- 3 PLC ±
- 4 PLC ±
- ANGLES ± 30'

FINISH

DWN 4FEB2025

ARFAN

CHK

CY Hang

APVD 5FEB2025

CY Hang

PRODUCT SPEC

—

APPLICATION SPEC

—

WEIGHT

g

CUSTOMER DRAWING



TE Connectivity

NAME

YAGI-UDA ANTENNA

SIZE

A3

CAGE CODE

00779

DRAWING NO

L001068

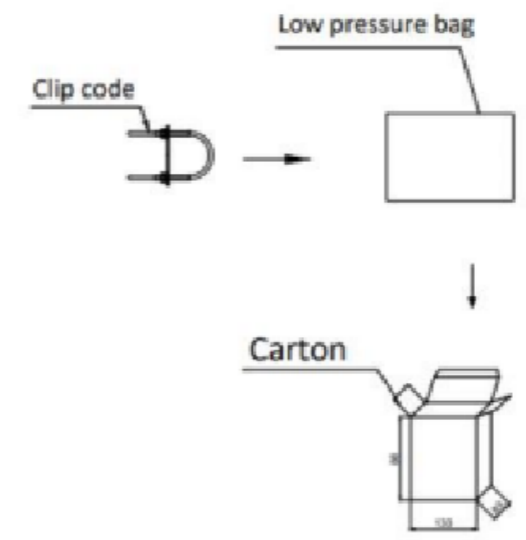
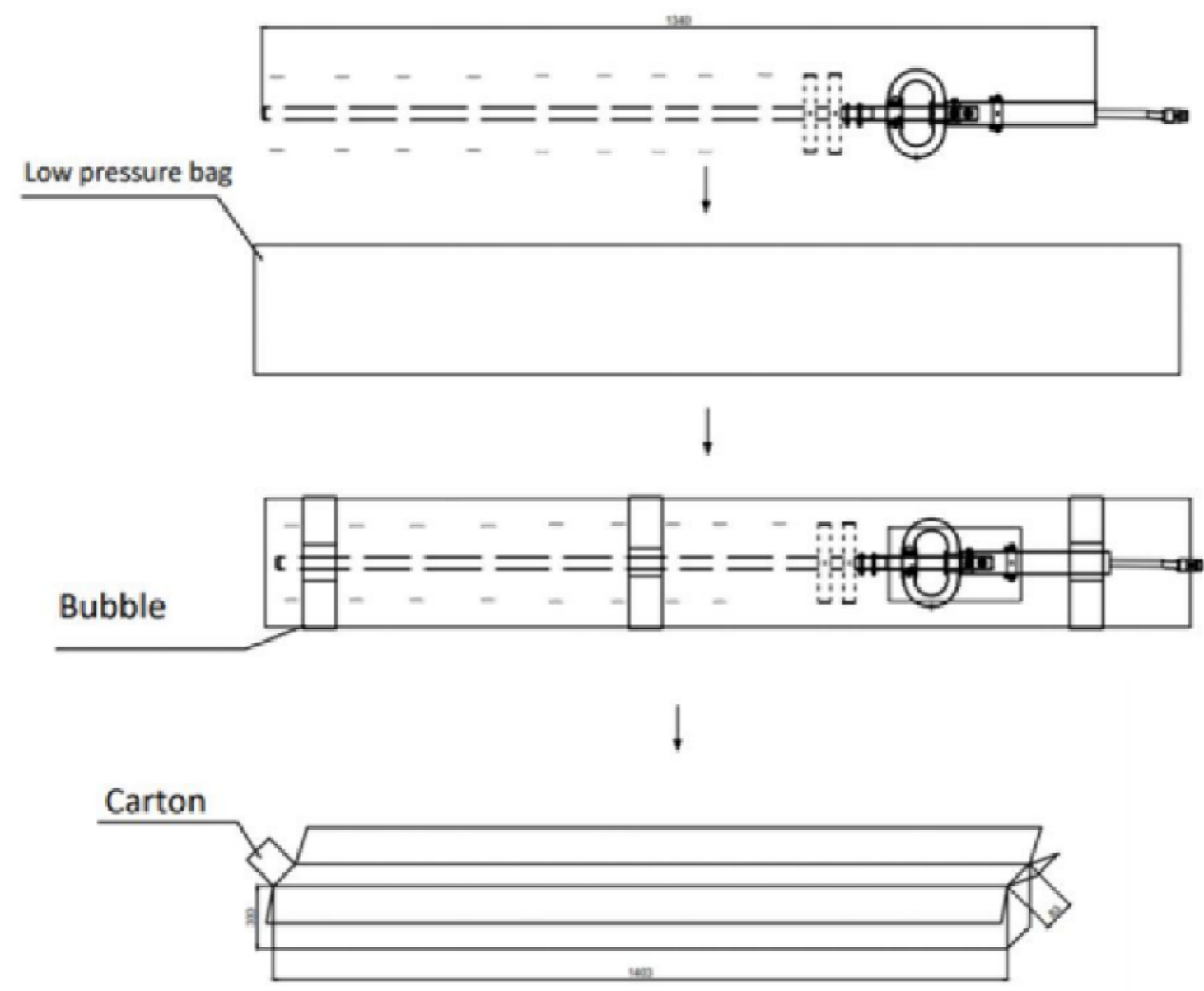
RESTRICTED TO

—

SCALE 1:5

SHEET 2 OF 5

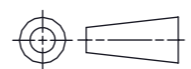
REV A



NO.	Name	Description	QTY.
9	Bubble	320*8*7	3
8	Carton	K3K 1400*80*330	1
7	Carton	AEC 130*80*85	1
6	Stretch film	PE	300mm
5	Low pressure bag	PE 400*500	1
4	Low pressure bag	PE 120*180	1
3	Low pressure bag	PE 250*1400	1
2	Clip code	Silver coating	1
1	Antenna	L1340W140H140	1

THIS DRAWING IS A CONTROLLED DOCUMENT.

DIMENSIONS: mm



TOLERANCES UNLESS OTHERWISE SPECIFIED:

0 PLC	± 0.5
1 PLC	± 0.25
2 PLC	± 0.13
3 PLC	±
4 PLC	±
ANGLES	± 30'

MATERIAL

FINISH

DWN 4FEB2025

CHK ARFAN

5FEB2025

CY Hang

APVD 5FEB2025

CY Hang

PRODUCT SPEC

APPLICATION SPEC

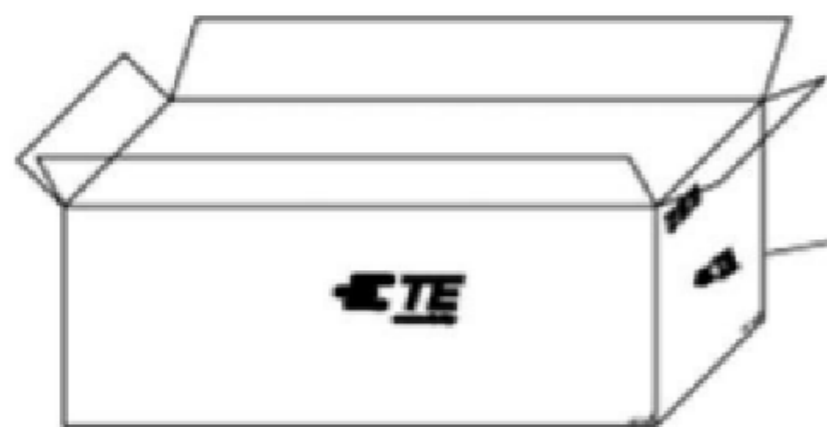
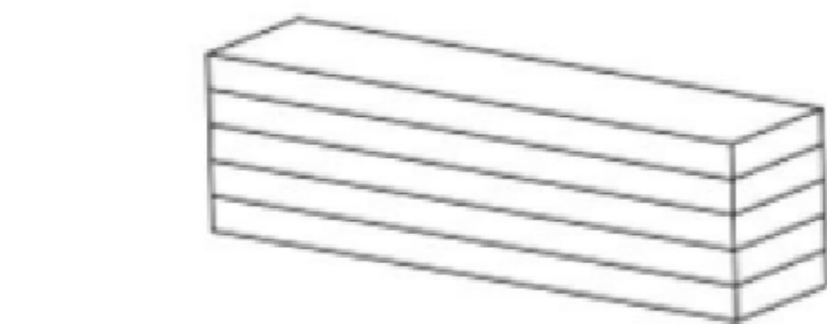
WEIGHT

g

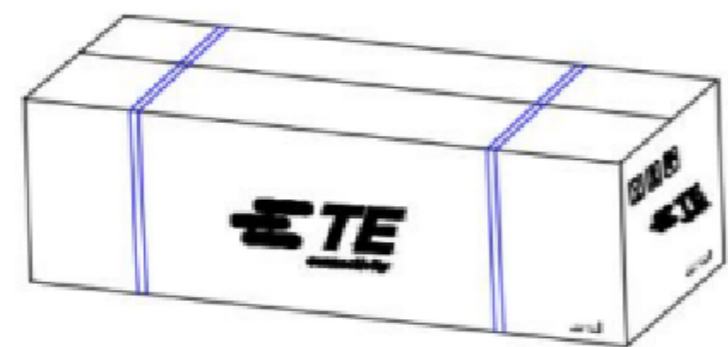
**TE** TE Connectivity

NAME **YAGI-UDA ANTENNA**

SIZE <b>A3</b>	CAGE CODE <b>00779</b>	DRAWING NO <b>L001068</b>	RESTRICTED TO
CUSTOMER DRAWING		SCALE <b>1:5</b>	SHEET <b>3</b> OF <b>5</b> REV <b>A</b>



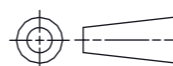
FROM TE SAP SYSTEM LABEL



4	Packing strap	PP	4200mm
3	sealing compound	PE	1250mm
2	Carton	K=K 1410*350*430	1
1	Antenna	L1340W140H40	5
NO.	Name	Description	QTY.

THIS DRAWING IS A CONTROLLED DOCUMENT.

DIMENSIONS:  
mm



MATERIAL

TOLERANCES UNLESS OTHERWISE SPECIFIED:

0 PLC	± 0.5
1 PLC	± 0.25
2 PLC	± 0.13
3 PLC	±
4 PLC	±
ANGLES	± 30'

FINISH

DWN 4FEB2025

ARFAN

CHK 5FEB2025

CY Hang

APVD 5FEB2025

CY Hang

PRODUCT SPEC

—

APPLICATION SPEC

—

WEIGHT

g

CUSTOMER DRAWING



TE Connectivity

NAME

YAGI-UDA ANTENNA

SIZE

A3

CAGE CODE

00779

DRAWING NO

L001068

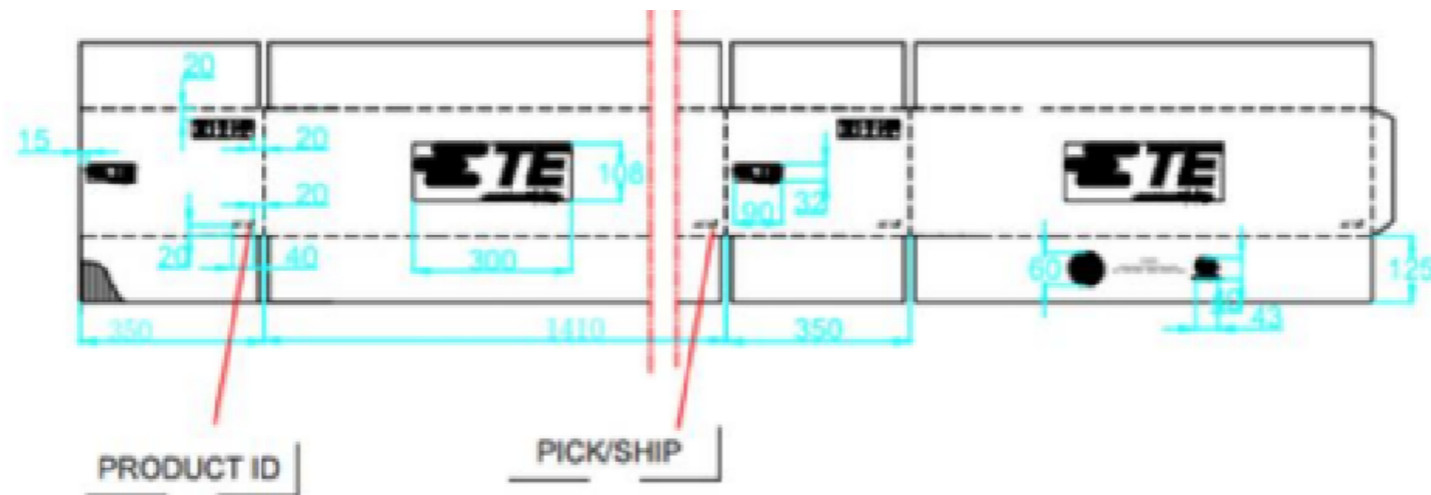
RESTRICTED TO

—

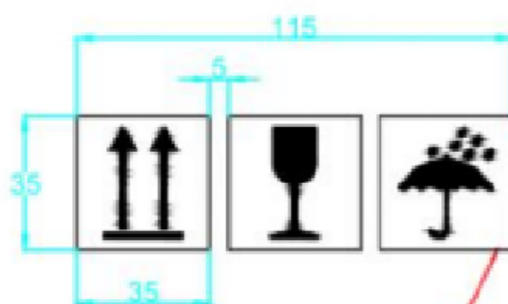
SCALE 1:5

SHEET 4 OF 5

REV A



This border is only for positioning, not printing



This border is only for positioning, not printing

QC Stamp Provided by the Carton Vendor



BOM# for Carton

Corrugated Cardboard Material and Weight

2246999  
K250-M150-K180-M150-K250  
OUT SIDE DIM: 2980Lx250Wx260H

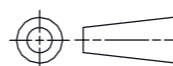


8LE

Outer Dimension of the Carton

THIS DRAWING IS A CONTROLLED DOCUMENT.

DIMENSIONS:  
mm



MATERIAL

TOLERANCES UNLESS OTHERWISE SPECIFIED:  
0 PLC ± 0.5  
1 PLC ± 0.25  
2 PLC ± 0.13  
3 PLC ±  
4 PLC ±  
ANGLES ± 30'

FINISH

DWN	ARFAN	4FEB2025
CHK	CY Hang	5FEB2025
APVD	CY Hang	5FEB2025
PRODUCT SPEC	-	
APPLICATION SPEC	-	
WEIGHT	2.16	g

		TE Connectivity	
		YAGI-UDA ANTENNA	
SIZE	CAGE CODE	DRAWING NO	RESTRICTED TO
A3	00779	L001068	-
CUSTOMER DRAWING		SCALE 1:5	SHEET 5 OF 5 REV A