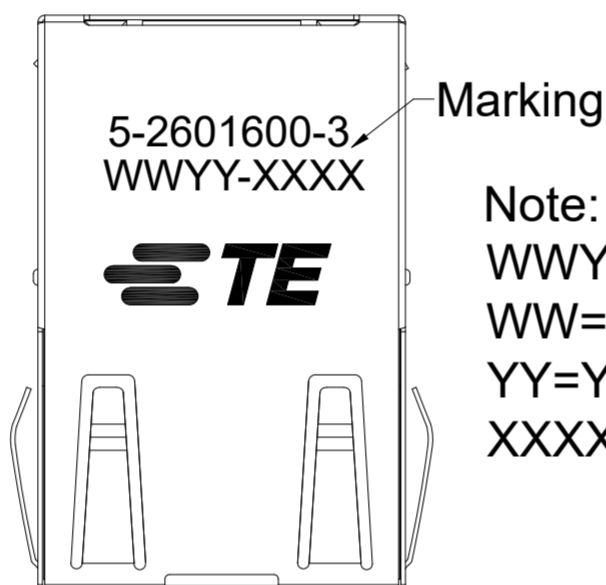
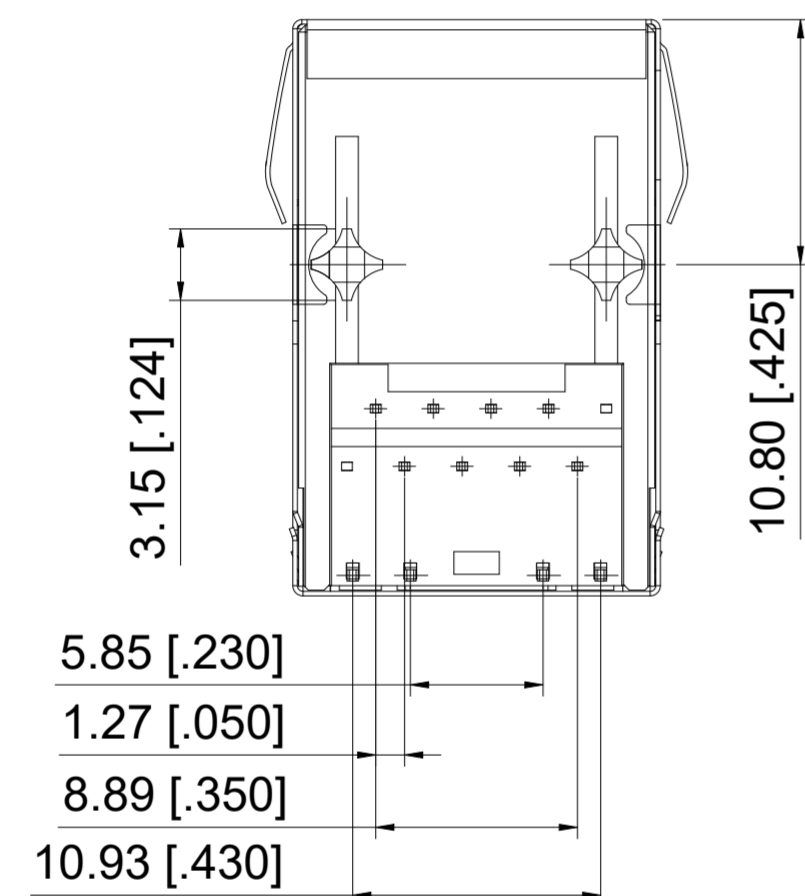
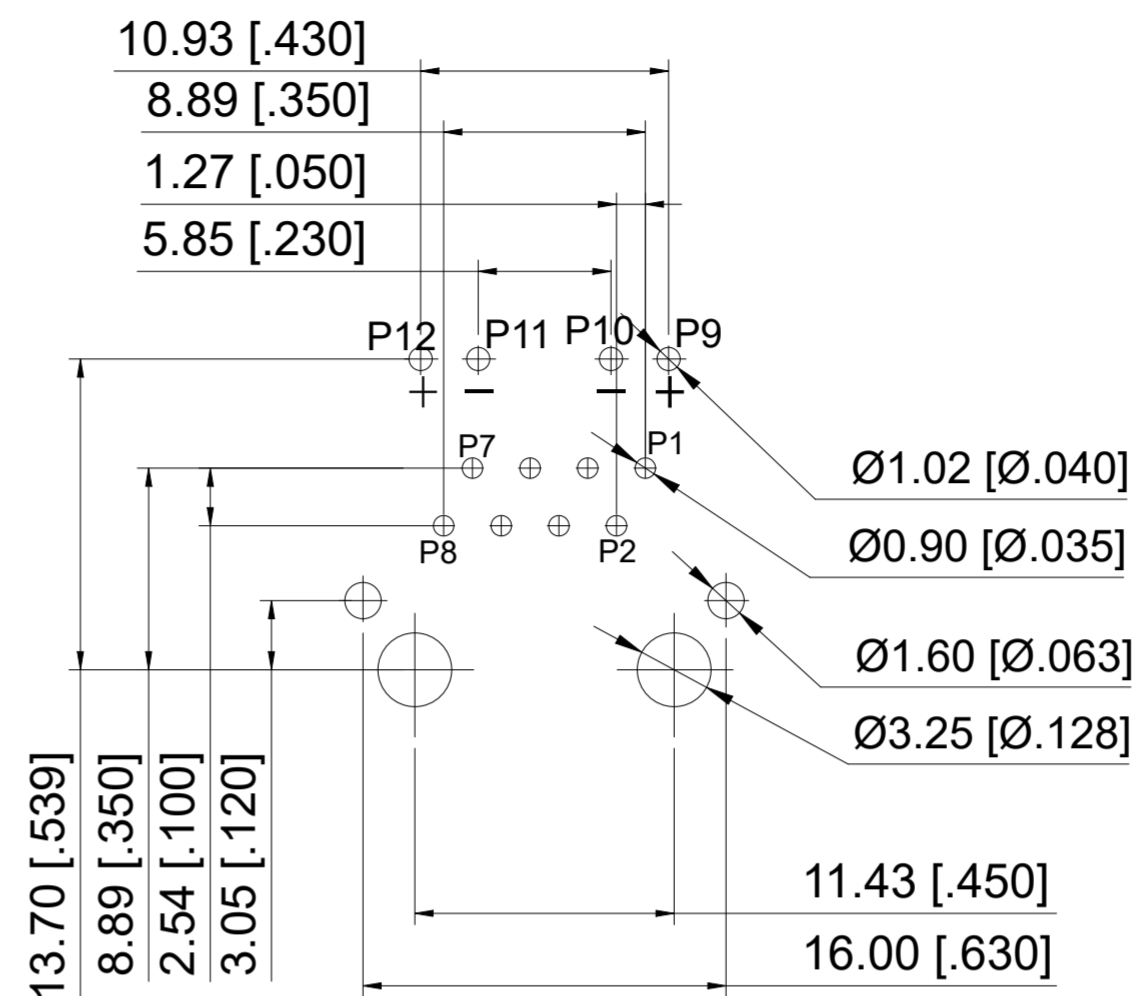
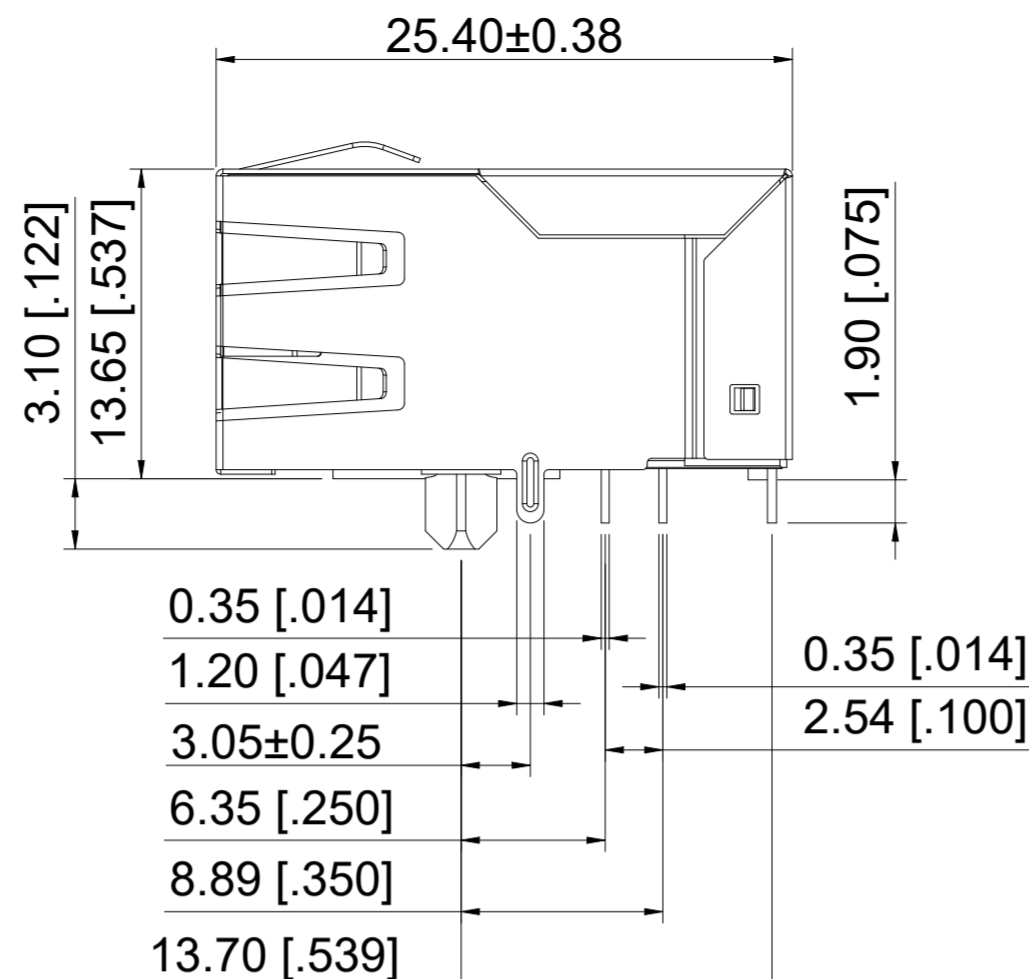
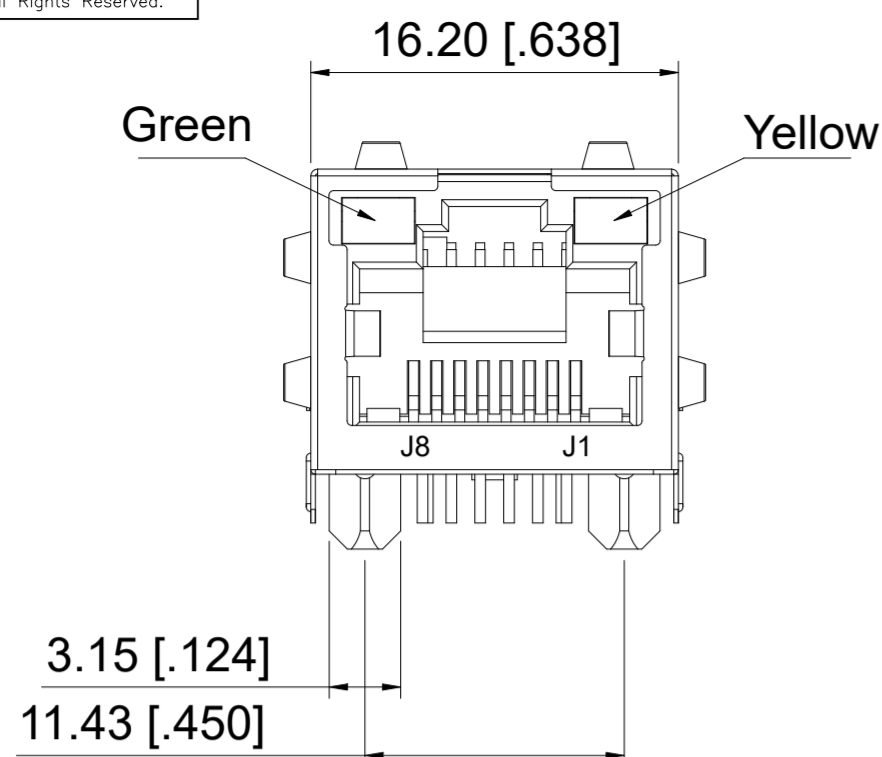


REVISIONS				
P	LTR	DESCRIPTION	DATE	APVD
A1		NEW DRAWING	04APR2025	RS MN



Note:  
 WWYY  
 WW=WEEK  
 YY=YEAR  
 XXXX=Control Code

RECOMMENDED P.C.B LAYOUT  
 TOP VIEW (COMPONENT SIDE)

GoldPlating	Option
1.8µ"	<input type="checkbox"/>
3µ"	<input type="checkbox"/>
6µ"	<input type="checkbox"/>
15µ"	<input type="checkbox"/>
30µ"	<input checked="" type="checkbox"/>
50µ"	<input type="checkbox"/>

Dimensions Tolerance:  
 All PCB LAYOUT  
 Tolerances:±0.05[.002]

**NOTES**

- 1.HOUSING:GLASS FILLED LCP(BLACK) UL94V-0(RoHS)
- 2.CONTACT:PHOSPHOR BRONZE.50 MICROINCHES MIN. OVERALL DUCTILE NICKEL UNDERPLATEWITH SELECTED 30 MICROINCHES GOLD AT MATING INTERFACE
- 3.SHIELD:0.2mm THICKNESS WITH BRASS.
- 4.JACK CAVITY CONFORMS TO FCC RULES AND REGULATIONS PART 68 SUBPART F
- 5.THE PART IS RECOMMENDED FOR WAVE SOLDERING PROCESS PEAK SOLDERING TEMPERATURE IS 265±5°C ,10 SECS.
- 6.OPERATING TEMPERATURE:-40°C TO +85°C.  
STORAGE TEMPERATURE:-40°C TO +85°C.
- 7.PACKAGING: TRAY ACCORDING TO PACKAGING SPECIFICATION 107-18228

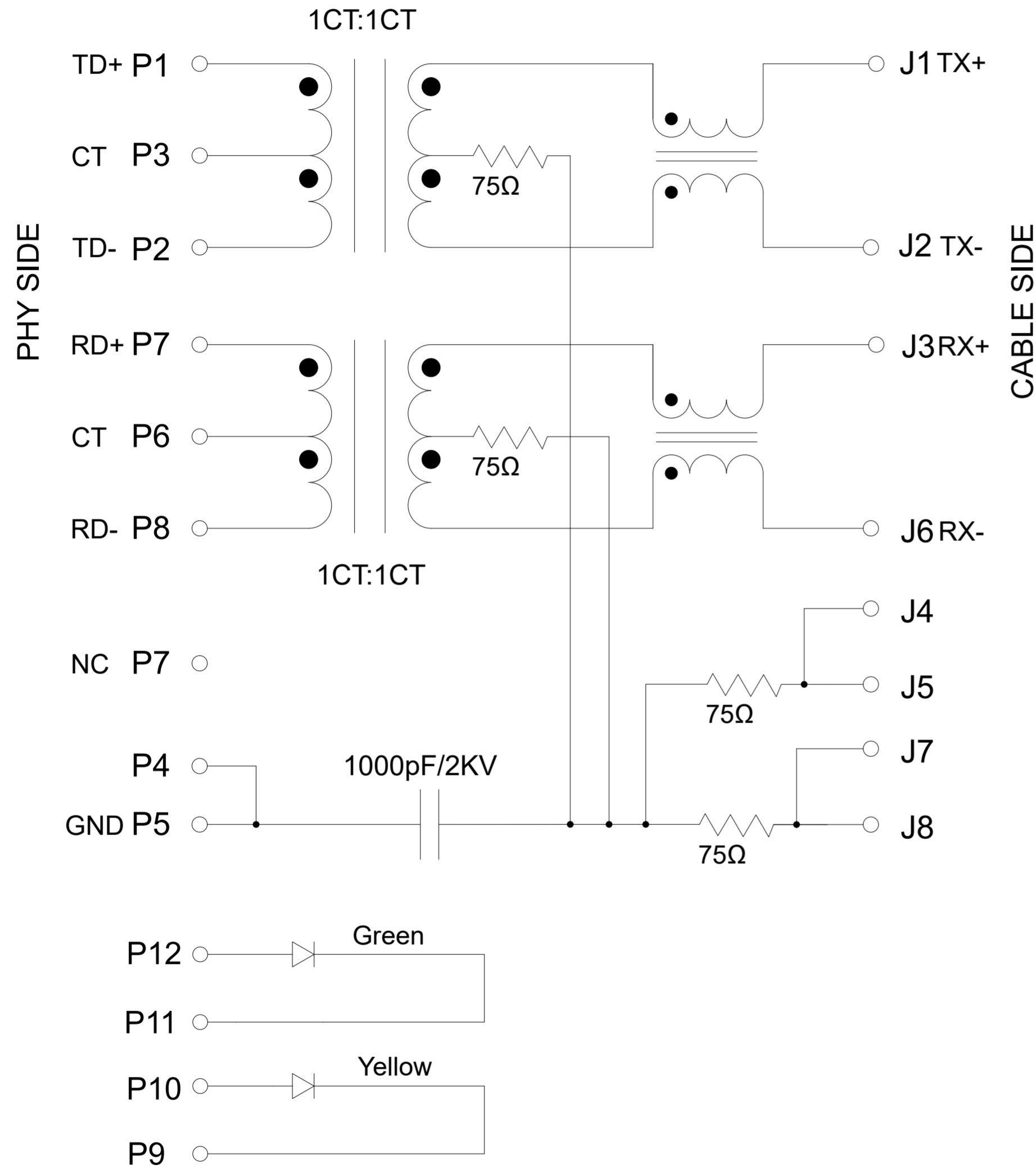
**8 PROP 65 WARNING LABEL:**

- THE WARNING LABEL ON THE PRODUCT OR LOWEST LEVEL PACKAGING
- CHEMICAL NAME: NICKEL (METALLIC)

THIS DRAWING IS A CONTROLLED DOCUMENT.		DWN RAMESHA L S 04APR2025	TE Connectivity	
DIMENSIONS: mm		CHK MANTIKOU, NATALIA 04APR2025	NAME RJ45 1X1 Tab_Up/Through Hole 10/100Base-T W/LED	
TOLERANCES UNLESS OTHERWISE SPECIFIED: 0 PLC ± - 1 PLC ± 0.35 2 PLC ± 0.25 3 PLC ± 0.15 4 PLC ± - ANGLES ± 2°		APVD MANTIKOU, NATALIA 04APR2025	PRODUCT SPEC 108-94552	
MATERIAL		FINISH	APPLICATION SPEC 114-94447	RESTRICTED TO
		WEIGHT	SIZE A2	CAGE CODE 00779
		CUSTOMER DRAWING	SCALE 1:1	DRAWING NO C=5-2601600-3
			SHEET 1 of 2	REV A1

REVISIONS				
P	LTR	DESCRIPTION	DATE	APVD
-	-	SEE SHEET 1	-	-

# Schematic



PARAMETER	SPECIFICATIONS
OPERATING TEMPERATURE	-40°C To +85°C
TURNS RATIO	1:1±2%
INDUCTANCE(OCL)	350uH MIN@100KHz/100mV With 8mA DC Bias
INSERTION LOSS	-1.0dB MAX@1MHz-100MHz;
RETURN LOSS (Z out=100 OHM)	-18dB MIN@1MHz-30MHz; -16dB MIN@30MHz-60MHz; -12dB MIN@60MHz-80MHz;-10dB MIN@80MHz-100MHz;
CROSSTALK (ADJACENT CHANNELS)	-30dB MIN@1MHz-100MHz;
COMMON MODE REJECTION RATIO	-30dB MIN@1MHz-100MHz;
HI-POT	2250 VDC@60 SECONDS

LED SPECIFICATION			
STANDARD LED	WAVELENGTH	Forward V(max)	TYP
GREEN	570nm	2.6V	2.2V
YELLOW	590nm	2.6V	2.0V

\*WITH A FORWARD CURRENT OF 20mA

THIS DRAWING IS A CONTROLLED DOCUMENT.		DWN RAMESHA L S 04APR2025		
DIMENSIONS: mm		CHK MANTIKOU, NATALIA 04APR2025		
TOLERANCES UNLESS OTHERWISE SPECIFIED:		APVD MANTIKOU, NATALIA 04APR2025	NAME RJ45 1X1 Tab_Up/Through Hole 10/100Base-T W/LED	
0 PLC ± -	1 PLC ± 0.35	PRODUCT SPEC 108-94552	SIZE A2	CAGE CODE 00779
2 PLC ± 0.25	3 PLC ± 0.15	APPLICATION SPEC 114-94447	DRAWING NO C=5-2601600-3	RESTRICTED TO -
4 PLC ± -	ANGLES ± 2°	MATERIAL -	WEIGHT -	SCALE 1:1
CUSTOMER DRAWING			SHEET 2 OF 2	REV A1