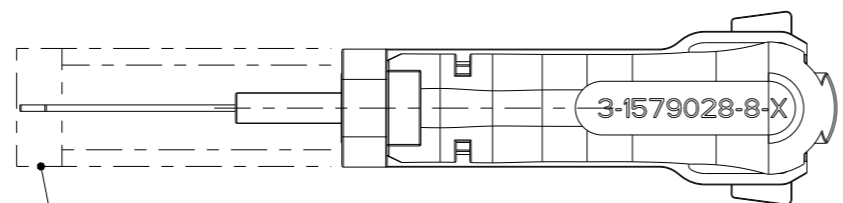
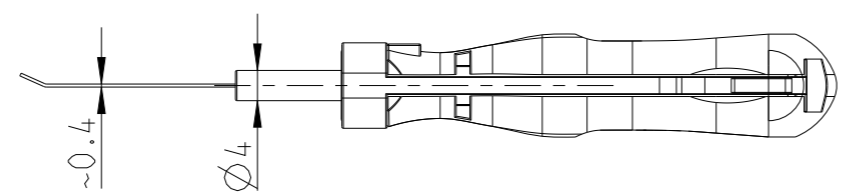
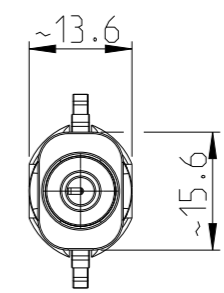
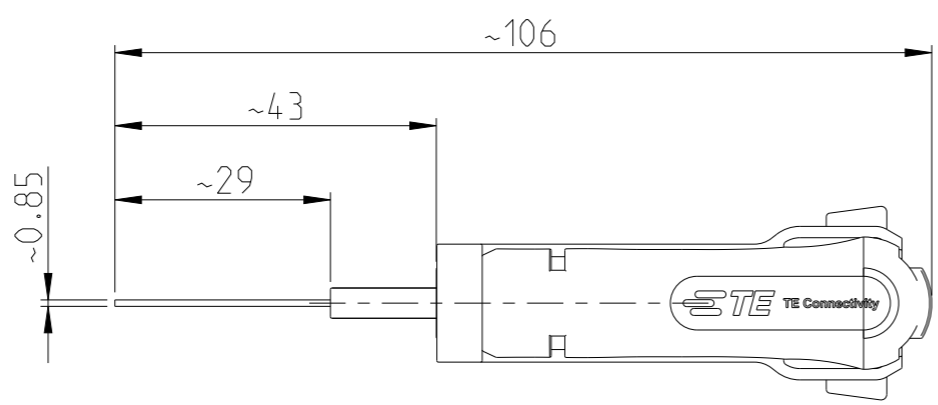


© 2025 TE Connectivity. All Rights Reserved.		
PART NUMBER	REV	FIRST USED
3-1579028-8	B	-

REVISIONS					
P	LTR	DESCRIPTION	DATE	DWN	APVD
	A	Initial release	11FEB2016	RG	GS
	A1	ECR-16-002475	18FEB2016	KH	GR
	B	ECR-25-260108	23OCT2025	PK	MB




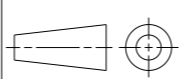
COVER SLIDE  
Schutzschieber

### Anwendungsbereich / APPLICATION RANGE

CONTACT: 2141864, 1718758, 1718760, 1718762,  
2141868 AND 1718756

HOUSING P/N : 1703494, 1564559, 2141520, 2141324,  
1703498 AND 1703506

APPLICATION-SPEC.: 114-18910-1

THIS DRAWING IS A CONTROLLED DOCUMENT.		DWN R GERMANN 11FEB2016	 TE Connectivity						
DIMENSIONS: mm		CHK R GERMANN 11FEB2016							
TOLERANCES UNLESS OTHERWISE SPECIFIED:		APVD G STEGMAYER 11FEB2016	NAME EXTRACTION TOOL Entriegelungswerkzeug						
		PRODUCT SPEC -	RESTRICTED TO -						
MATERIAL -		FINISH -	APPLICATION SPEC -	SIZE A3	CAGE CODE 00779	DRAWING NO C-3-1579028-8	SCALE 1:1	SHEET 1 OF 1	REV B
-		WEIGHT 15g	CUSTOMER DRAWING			RESTRICTED TO -			