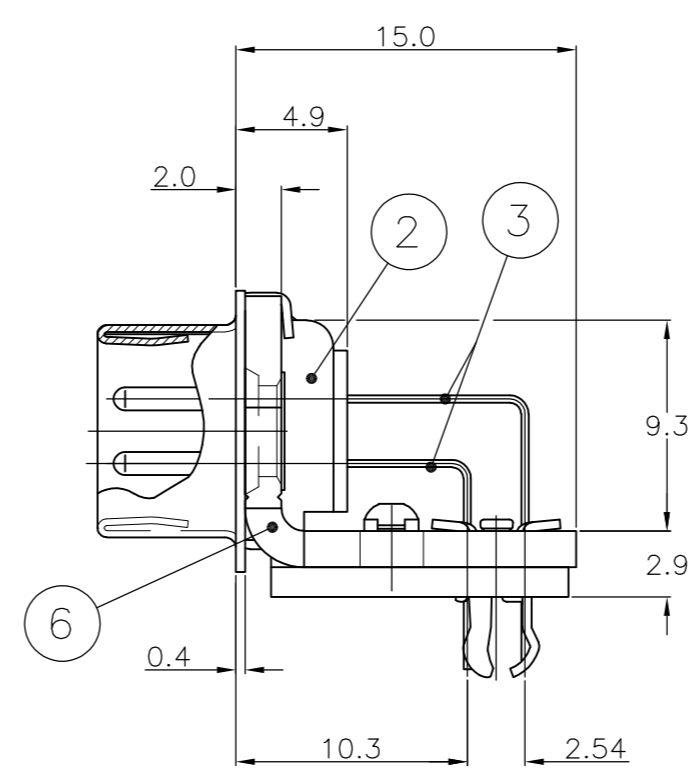
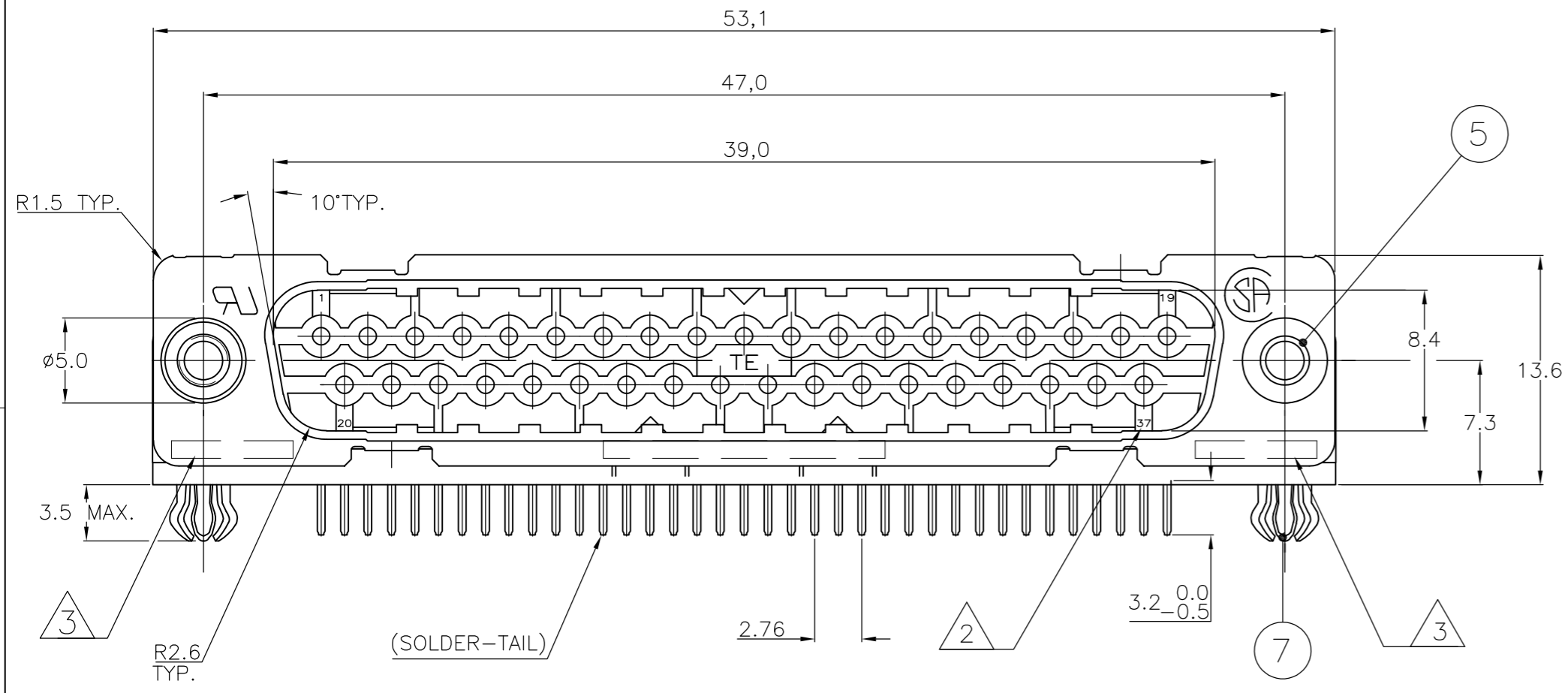
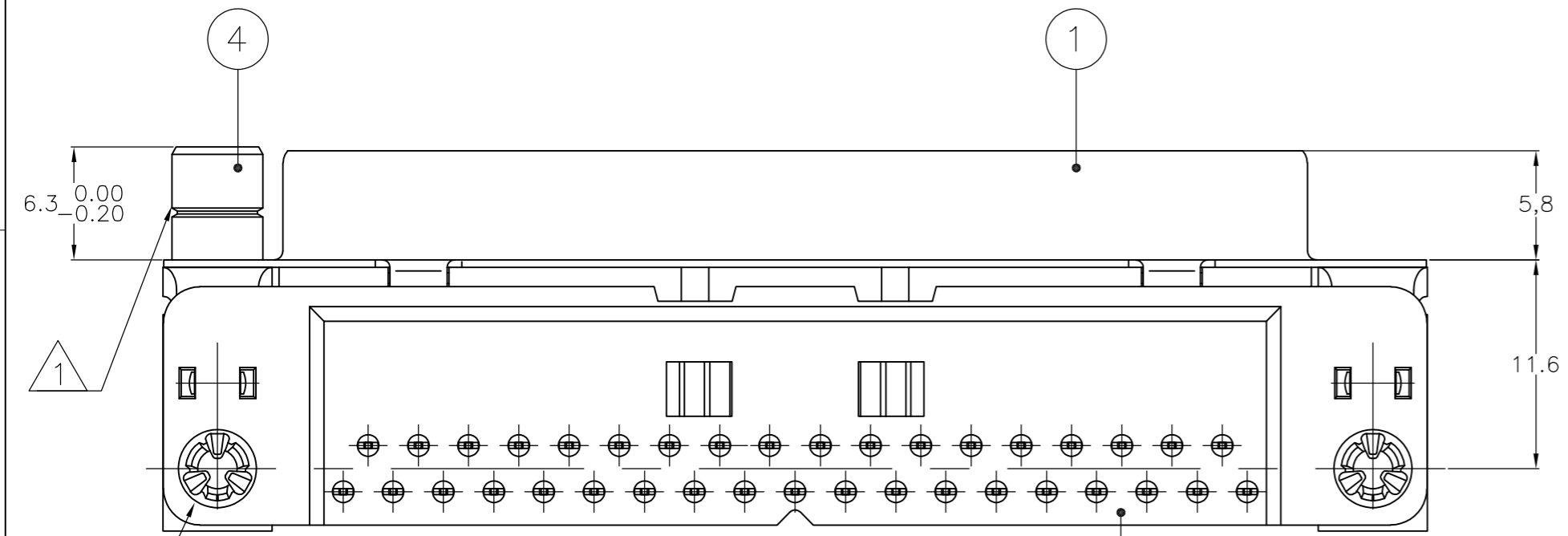


THIS DRAWING IS UNPUBLISHED. RELEASED FOR PUBLICATION  
 © COPYRIGHT - By - ALL RIGHTS RESERVED.

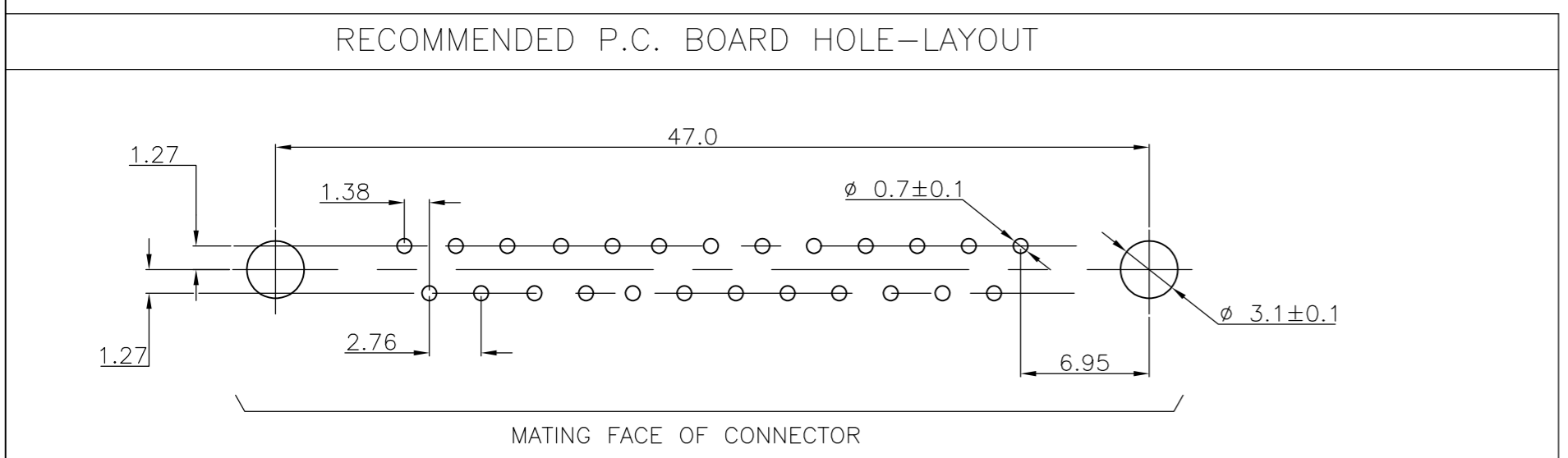
LOC	DIST	REVISIONS					
GP	00	P	LTR	DESCRIPTION	DATE	DWN	APVD
		K		REVISED PER ECO-15-004948	27APR2015	AP	SB



ITEM NO	DESCRIPTION OF ACCESSORY	338170-2	1-338170-2	2-338170-2	3-338170-2	4-338170-2	5-338170-2	6-338170-2	7-338170-2	8-338170-2	9-338170-2
5	Ø3.1 INSERT	2					2				
5	INSERT WITH INNER THREAD 4-40 UNC		2					2			
5	INSERT WITH INNER THREAD M3			2					2		
4	FEMALE SCREWLOCK WITH 4-40 UNC				2					2	
4	FEMALE SCREWLOCK WITH M3					2					2
7	BOARDLOCK	2	2	2	2	2					



- 1 GROOVE INDICATES VERSION WITH 4-40 UNC INNER THREAD; WITHOUT GROOVE INDICATES VERSION WITH M3 INNER THREAD.
- 2 CAVITY IDENTIFICATION AT FRONT SIDE ONLY.
- 3 PART NUMBER AND DATE CODE.
- 4. SHELL HAS 2x8 GROUNDING SPRINGS; PITCH IS 3.6.
- 5. AIR AND CREEPAGE DISTANCES ACCORDING TO DIN 41652.
- 6. CONTACT FINISH: GOLD FLASH OVER PALLADIUM-NICKEL PLATE OR GOLD PLATE ON THE MATING SURFACES, TIN PLATE ON THE SOLDER-TAILS, NICKEL UNDERPLATE ON THE ENTIRE CONTACT. MATING SURFACE FINISH MEETS PERFORMANCE LEVEL 2 PER DIN 41652.



ITEM NO/MATERIAL :

1 SHELL	: BRIGHT TIN PLATED STEEL
2 HOUSING	: GLASS FILLED POLYESTER, COLOR : BLACK
3 CONTACTS	: PHOSPHOR BRONZE (PLATING : SEE NOTES)
4 FEMALE SCREWLOCK	: TIN PLATED STEEL (INNER THREAD 4-40 UNC OR M3)
5 INSERT	: TIN PLATED STEEL (INNER THREAD 4-40 UNC OR M3 OR Ø3.1 THRU-HOLE)
6 BRACKET	: TIN PLATED STEEL
7 BOARDLOCK	: TIN PLATED PHOSPHOR BRONZE
8 SOLDER-TAIL ALIGNMENT PLATE	: GLASS FILLED NYLON. COLOR : BLACK

THIS DRAWING IS A CONTROLLED DOCUMENT. DIMENSIONING AND TOLERANCING PER ASME Y14.5M-2009		DWN D. KESSLER 18JAN99	TE Connectivity	
DIMENSIONS: mm		CHK W. SOOMERS		
TOLERANCES UNLESS OTHERWISE SPECIFIED:		APVD	PRODUCT SPEC	
0 PLC	± -	APPLICATION SPEC		SIZE
1 PLC	± 0.3	WEIGHT		CAGE CODE
2 PLC	± 0.15	CUSTOMER DRAWING		DRAWING NO
3 PLC	± -	SCALE		RESTRICTED TO
4 PLC	± -	SHEET		REV
ANGLES	± -	1 of 1		K