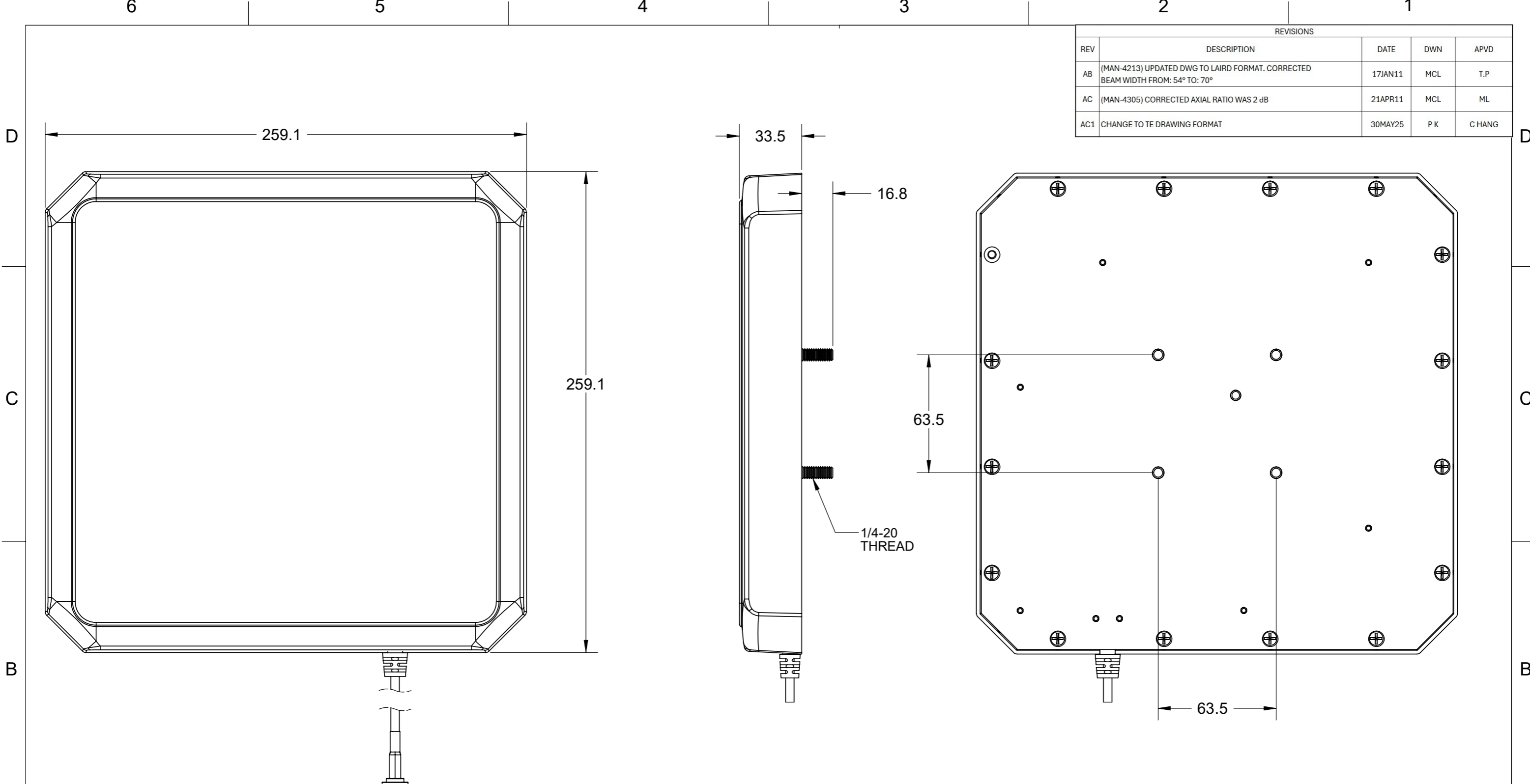


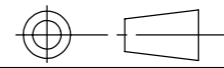
REVISIONS

REV	DESCRIPTION	DATE	DWN	APVD
AB	(MAN-4213) UPDATED DWG TO LAIRD FORMAT. CORRECTED BEAM WIDTH FROM: 54° TO: 70°	17JAN11	MCL	T.P
AC	(MAN-4305) CORRECTED AXIAL RATIO WAS 2 dB	21APR11	MCL	ML
AC1	CHANGE TO TE DRAWING FORMAT	30MAY25	P K	C HANG



Parameter	Performance
Antenna Part Number	S9028PCR96RTN
Frequency	902-928 MHz
Gain	9dBic
Polarization	Right Hand Circular
VSWR	1.3:1
Beamwidth (3dB)	70 Degrees x 70 Degrees
Front to Back Ratio	20 dB
Axial Ratio	1 dB Typical
Pigtail	RG-58, 96"
RF Connector	RTN
Power	10 Watts
Weight	2.3 lbs

MATERIAL:		THIRD ANGLE PROJECTION
FINISH:		DO NOT SCALE DRAWING
APPROVALS		INTERPRET DIMENSIONING AND TOLERANCING IN ACCORDANCE WITH ASME Y14.5M-1994
DRAWN BY	M LABONVILLE	DATE
PROJ. ENG.	T PETROPOULOS	07/15/09
APPL. MECH.	S. JOHNSON	7/15/09
MFG.	I CHICKLIS	7/15/09

  
 DO NOT SCALE DRAWING  
 INTERPRET DIMENSIONING AND TOLERANCING IN ACCORDANCE WITH ASME Y14.5M-1994  
**TOLERANCES UNLESS OTHERWISE SPECIFIED**  
 DIMENSIONS ARE IN MILLIMETERS  
 ANGLE: ±30'  
 0 PLACE DECIMAL: ±0.5  
 1 PLACE DECIMAL: ±0.25  
 2 PLACE DECIMAL: ±0.13  
 SURFACE ROUGHNESS 1.6/√

 **TE Connectivity**  
**TITLE:**  
 S9028PCR96RTN  
 MOUNTING & OUTLINE  
**SIZE** A3 **DWG. NO.** S9028PCR96RTN **REV** AC1  
**SCALE:** 1:2 **PREVIOUS#** **SHEET** 1 OF 1