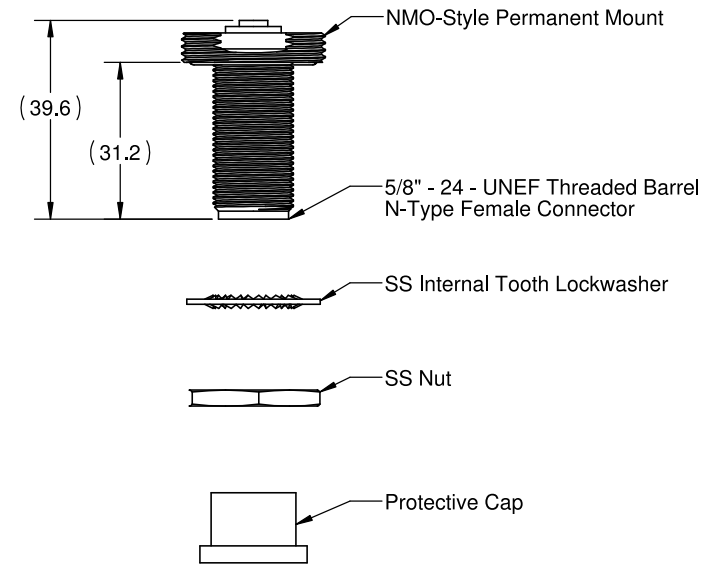
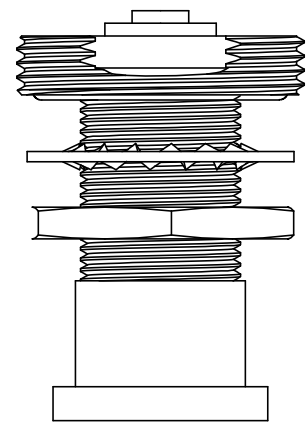
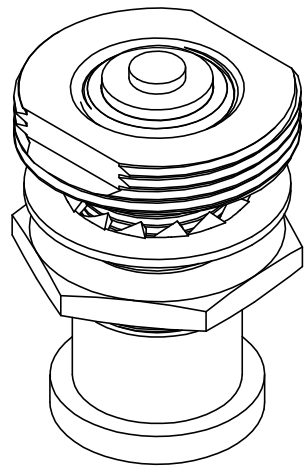


REVISIONS

REV	DESCRIPTION	DATE	DWN	APVD
AA	(ECN#1846) INITIAL RELEASE	20DEC13	B. HOFFMAN	A. MASCORRO
AA1	CHANGE TO TE DRAWING FORMAT	31MAY25	P K	C HANG

Parameter	Performance
Model Number	VTPM800-002
Frequency	0 - 1000 MHz
Impedance	50 ohm
VSWR	<1.2
Power Rating	100 watts
Height	39.6 mm
Weight	approx. 73 g
Operating Temp	-35°C to +80 °C



<b>MATERIAL:</b> Refer to Notes		THIRD ANGLE PROJECTION		
<b>FINISH:</b> Refer to Notes				
APPROVALS		DATE	DO NOT SCALE DRAWING	
DRAWN BY	B. Hoffman	12/20/2013	INTERPRET DIMENSIONING AND TOLERANCING IN ACCORDANCE WITH ASME Y14.5M-2009	
ELEC. ENG.	A. Mascorro	12/20/2013	TOLERANCES UNLESS OTHERWISE SPECIFIED	
MECH. ENG.	S. Safvi	12/20/2013	DIMENSIONS ARE IN MILLIMETERS	
MFG./OPS.	L. Alderton	12/20/2013	ANGLE: ±30° 0 PLACE DECIMAL: ±0.5 1 PLACE DECIMAL: ±0.25 2 PLACE DECIMAL: ±0.13 SURFACE ROUGHNESS: 1.6/√	
TITLE: VTPM800-002 MOUNTING & OUTLINE		SIZE: <b>A3</b>	DWG. NO.: VTPM800-002	REV: AA1
SCALE: 2:1		PREVIOUS#	SHEET 1 OF 1	