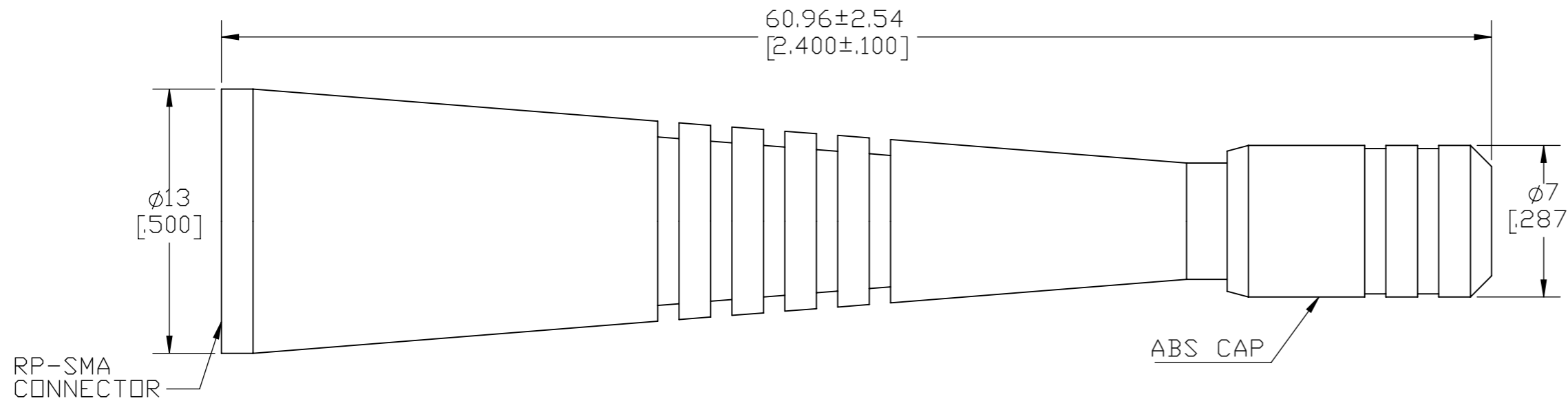


REVISIONS

REV	DESCRIPTION	DATE	DWN	APVD
A	CHANGE TO TE DRAWING FORMAT	19MAR25	KS	C.HANG

PARAMETER	PERFORMANCE
TE CONNECTIVITY PART NUMBER	WXC2400SMRP-NS1
NSN PART NUMBER	P183129
ANTENNA TYPE	MONOPOLE ANTENNA
FREQUENCY	2400~2500 MHZ
GAIN	3.05 (MAX) 2.75 (TYPICAL)
AVERAGE EFFICIENCY	70%
VSWR	<2:1
RADIATION PATTERN	OMNIDIRECTIONAL
POLARIZATION	VERTICAL
NOMINAL IMPEDANCE	50 OHM
CONNECTOR	RP-SMA
ANTENNA DIMENSION	60.96±2.54 (L)
CAP COLOR CODE	ABS 700-314 WH5323, WHITE
BODY COLOR CODE	TPU TEXIN 285, OM03709629, WHITE
TPU TEXIN 285, OM03709629, WHITE	15W
WEIGHT	9.5G
ROHS COMPLIANCE	YES



THIS DRAWING IS A CONTROLLED DOCUMENT.		DWN TL KH00 18NOV2013				
DIMENSIONS: mm[INCH]		CHK YJ TE0H 18NOV2013				
		APVD C.HANG 18NOV2013				
TOLERANCES UNLESS OTHERWISE SPECIFIED:		PRODUCT SPEC REFER TABLE	NAME DUCK,WXC,SMAM			
0 PLC ± 0.5 1 PLC ± 0.25 2 PLC ± 0.130 3 PLC ± 4 PLC ± ANGLES ± 30°		APPLICATION SPEC N/A	SIZE A3	CAGE CODE 00779	DRAWING NO WXC2400SMRP-NS1	RESTRICTED TO
MATERIAL N/A		WEIGHT REFER TABLE	SCALE 2:1		SHEET 1 OF 1	REV A
		CUSTOMER DRAWING				