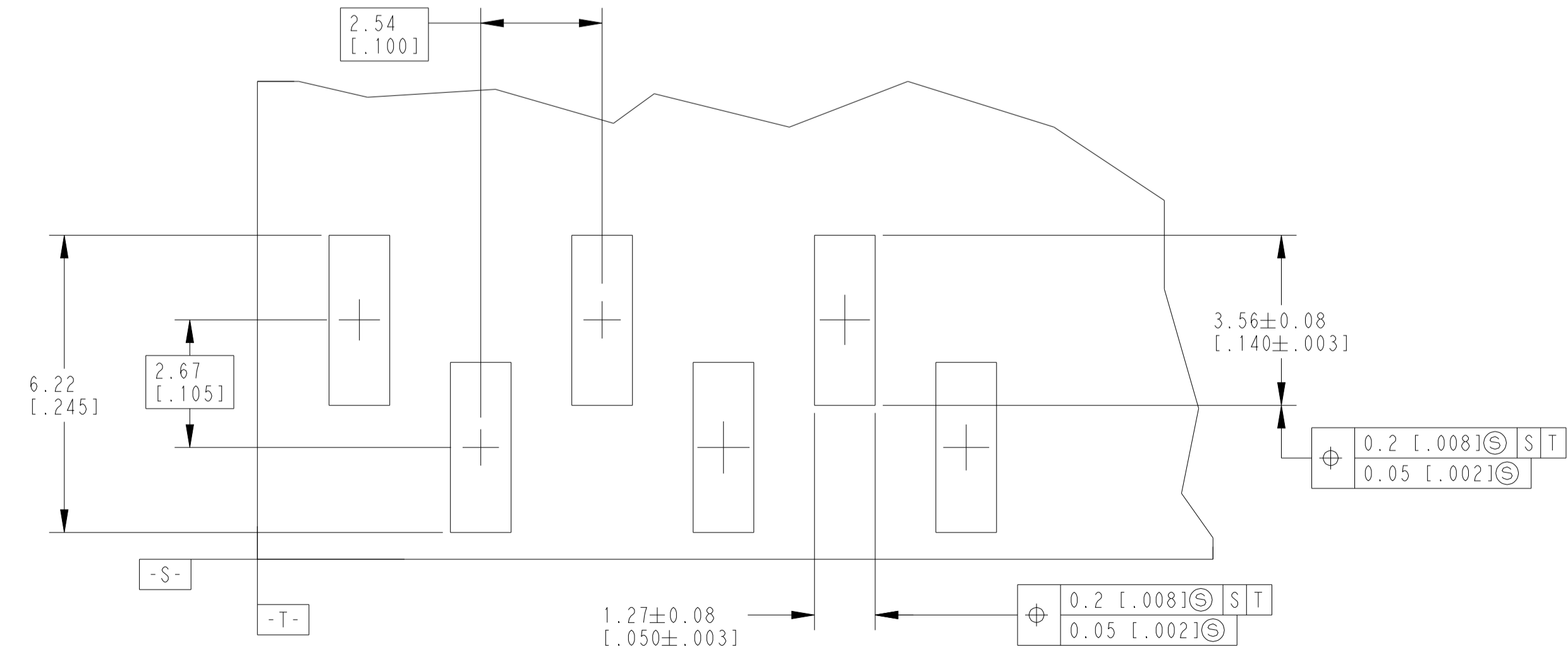
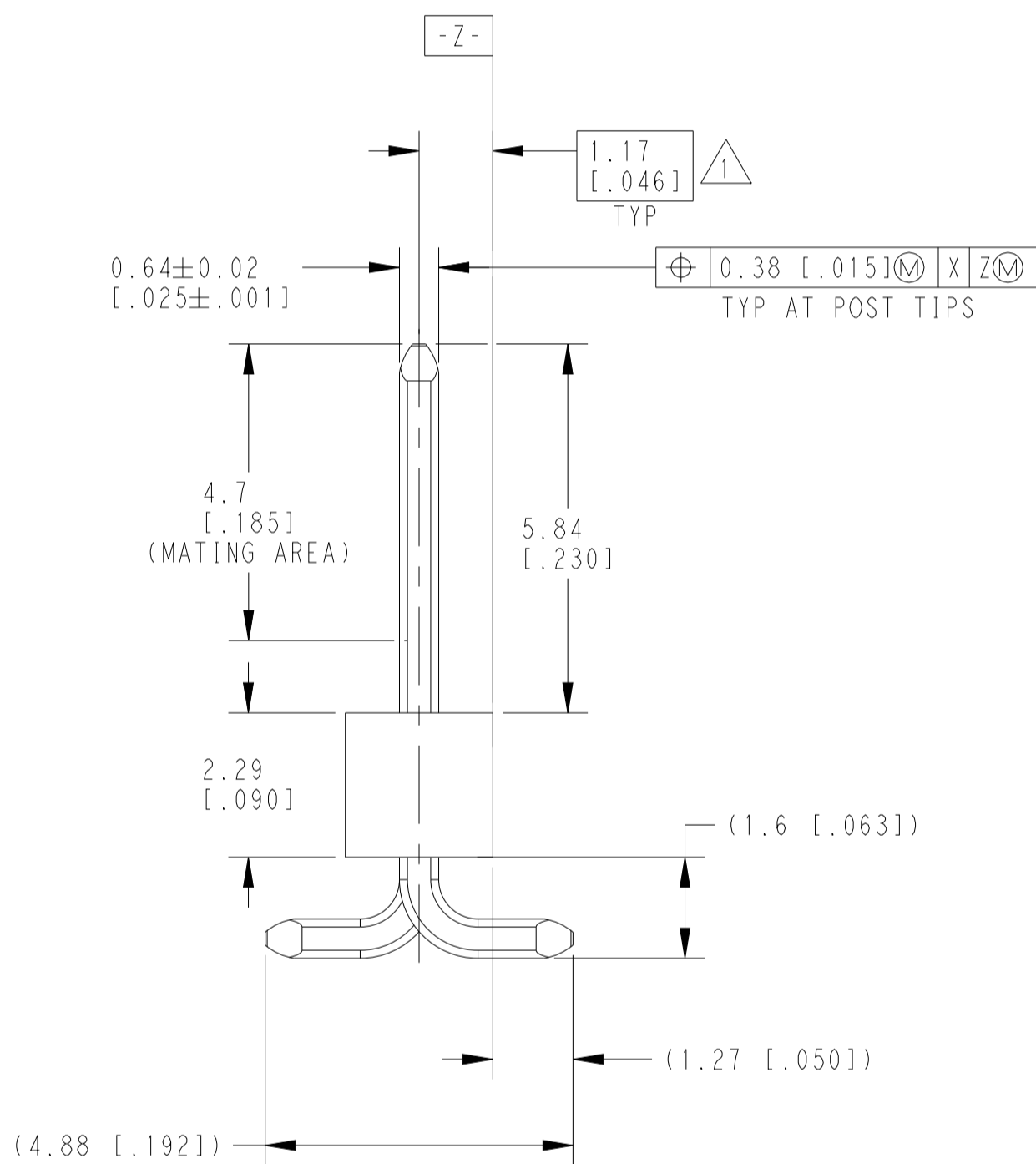
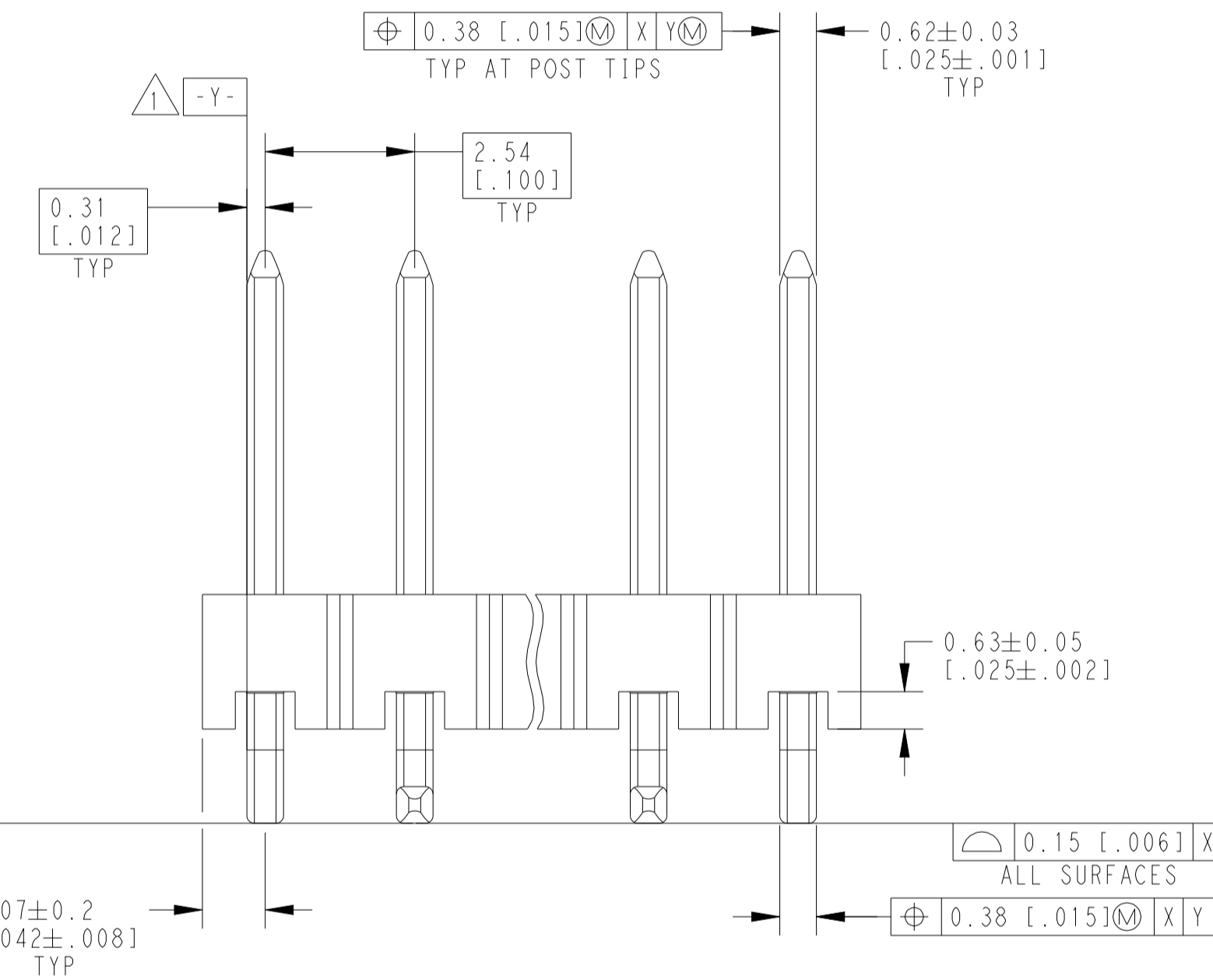
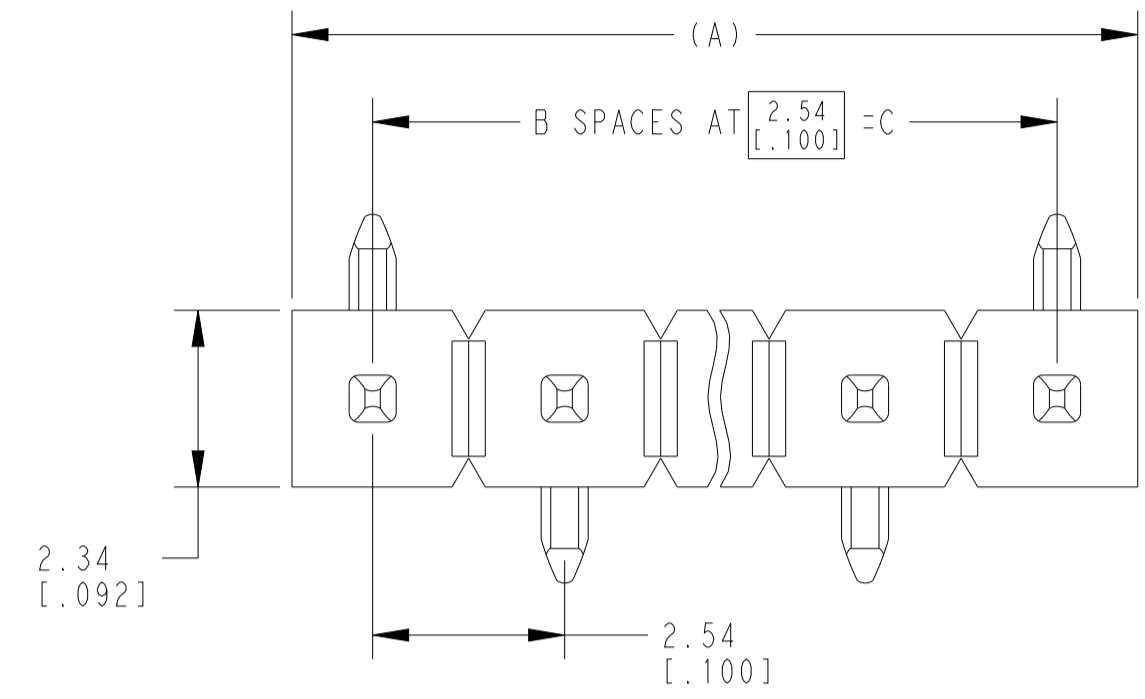


REVISIONS					
#	LTN	DESCRIPTION	DATE	OWN	APVD
L1		REVISED PER ECN-22-164704	15JUL2022	RK	MF
M		PLATING PLATING OPTIMIZATION (Au TO PdNi+Au FLASH)	05AUG2025	RS	GVP

- 1 THE NOTED DIMENSIONS APPLY AT THE INTERSECTION OF THE POST AND THE HOUSING.
- 2 0.000762[.000030] GOLD ON CONTACT AREA, 0.00254[.000100]-0.00508[.000200] MATTE TIN-LEAD ON SOLDER TAIL, ALL OVER 0.00127[.000050] NICKEL.
- 3 HOUSING: LCP, COLOR-BLACK. POSTS: COPPER ALLOY.
- 4 0.00066[.000026] PdNi+0.00010[.000004] Au FLASH ON CONTACT AREA 0.00254-0.00508[.000100-.000200] MATTE TIN ON SOLDER TAIL, ALL OVER 0.00127[.000050] NICKEL.
- 5 OBSOLETE PARTS: OBSOLETE CIS STREAMLINING PER D.RENAUD/D.SINISI



REV	LTN	DESCRIPTION	DATE	OWN	APVD	
4		99.06 [3.900]	39	101.19 [3.984]	40	6-146128-4
4		35.56 [1.400]	14	37.69 [1.484]	15	6-146128-3
OBSOLETE	4	33.02 [1.300]	13	35.15 [1.384]	14	6-146128-2
OBSOLETE	4	30.48 [1.200]	12	32.61 [1.284]	13	6-146128-1
OBSOLETE	4	27.94 [1.100]	11	30.07 [1.184]	12	6-146128-0
OBSOLETE	4	25.40 [1.000]	10	27.53 [1.084]	11	5-146128-9
	4	22.86 [0.900]	9	24.99 [0.984]	10	5-146128-8
	4	20.32 [0.800]	8	22.45 [0.884]	9	5-146128-7
	4	17.78 [0.700]	7	19.91 [0.784]	8	5-146128-6
	4	15.24 [0.600]	6	17.37 [0.684]	7	5-146128-5
	4	12.70 [0.500]	5	14.83 [0.584]	6	5-146128-4
	4	10.16 [0.400]	4	12.29 [0.484]	5	5-146128-3
	4	7.62 [0.300]	3	9.75 [0.384]	4	5-146128-2
	4	5.08 [0.200]	2	7.21 [0.284]	3	5-146128-1
OBSOLETE	2	99.06 [3.900]	39	101.19 [3.984]	40	6-146128-4
OBSOLETE	2	35.56 [1.400]	14	37.69 [1.484]	15	6-146128-3
OBSOLETE	2	33.02 [1.300]	13	35.15 [1.384]	14	6-146128-2
OBSOLETE	2	30.48 [1.200]	12	32.61 [1.284]	13	6-146128-1
OBSOLETE	2	27.94 [1.100]	11	30.07 [1.184]	12	6-146128-0
OBSOLETE	2	25.40 [1.000]	10	27.53 [1.084]	11	5-146128-9
OBSOLETE	2	22.86 [0.900]	9	24.99 [0.984]	10	5-146128-8
OBSOLETE	2	20.32 [0.800]	8	22.45 [0.884]	9	5-146128-7
OBSOLETE	2	17.78 [0.700]	7	19.91 [0.784]	8	5-146128-6
OBSOLETE	2	15.24 [0.600]	6	17.37 [0.684]	7	5-146128-5
OBSOLETE	2	12.70 [0.500]	5	14.83 [0.584]	6	5-146128-4
OBSOLETE	2	10.16 [0.400]	4	12.29 [0.484]	5	5-146128-3
OBSOLETE	2	7.62 [0.300]	3	9.75 [0.384]	4	5-146128-2
OBSOLETE	2	5.08 [0.200]	2	7.21 [0.284]	3	5-146128-1

THIS DRAWING IS A CONTROLLED DOCUMENT.

OWN: J. KNAUB 30-9-94
CHK: G. DUBNICZKI 30-9-94
APVD: G. DUBNICZKI 30-9-94

DIMENSIONS: mm [INCHES]

TOLERANCES UNLESS OTHERWISE SPECIFIED:

0 PLC	±
1 PLC	±
2 PLC	±
3 PLC	±
4 PLC	±
ANGLES	±

MATERIAL: SEE TABLE

WEIGHT: -

CUSTOMER DRAWING

SCALE: 10:1

SHEET 1 OF 1

REV M

PLATING: C

NO OF POSN: B

PART NUMBER: A

NAME: SURFACE MOUNT HEADER ASSY, MOD II, B/A, VERT, SR, .100 X.100 C/L .025 SQ.POST

SIZE: A

CAGE CODE: 00779

DRAWING NO: 146128