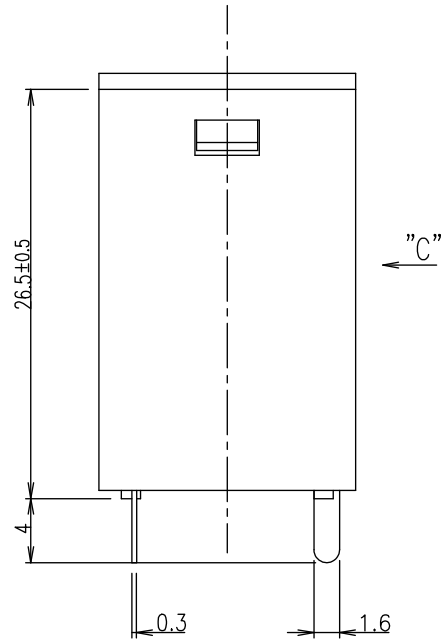
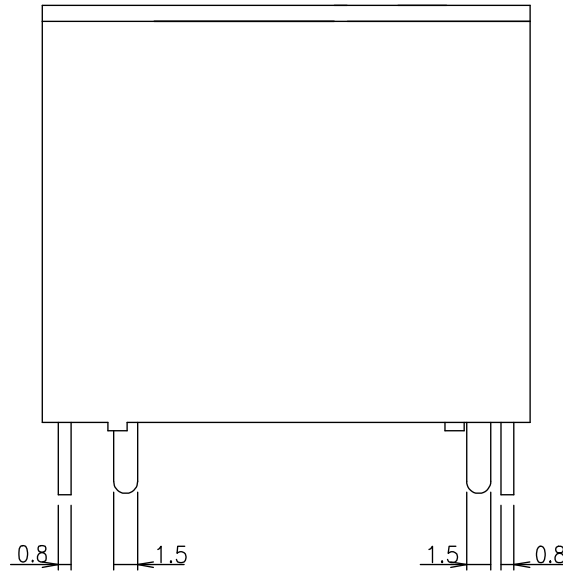
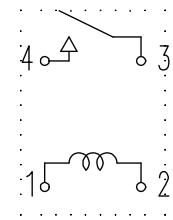


THIS DRAWING IS UNPUBLISHED. RELEASED FOR PUBLICATION
 © COPYRIGHT BY TYCO ELECTRONICS CORPORATION. ALL RIGHTS RESERVED.

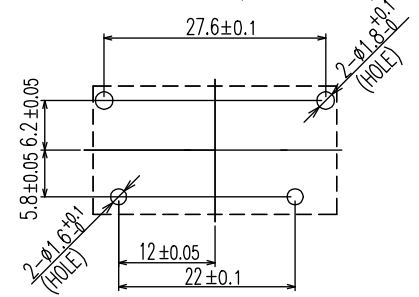
LOC	DIST	REVISIONS						
HB		P	LTR	DESCRIPTION	ECN	DATE	DWN	APVD
			C	TE LOGO CHANGE; TERMINALS TOLERANCE CLARIFICATION	ECO-18-008295	30-MAY-18	TOD	K.T



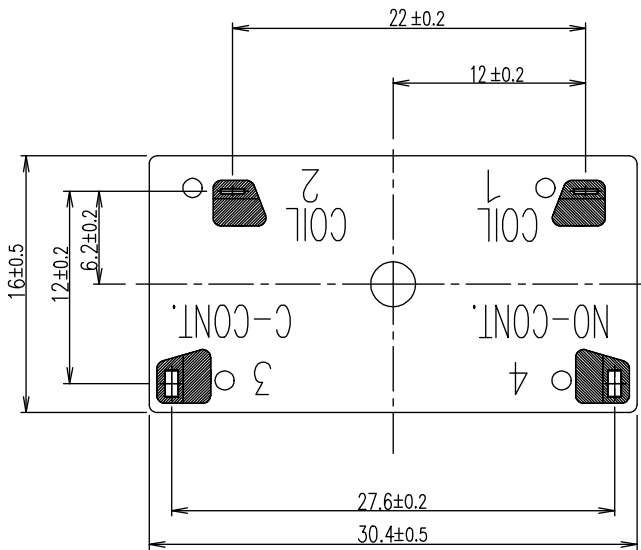
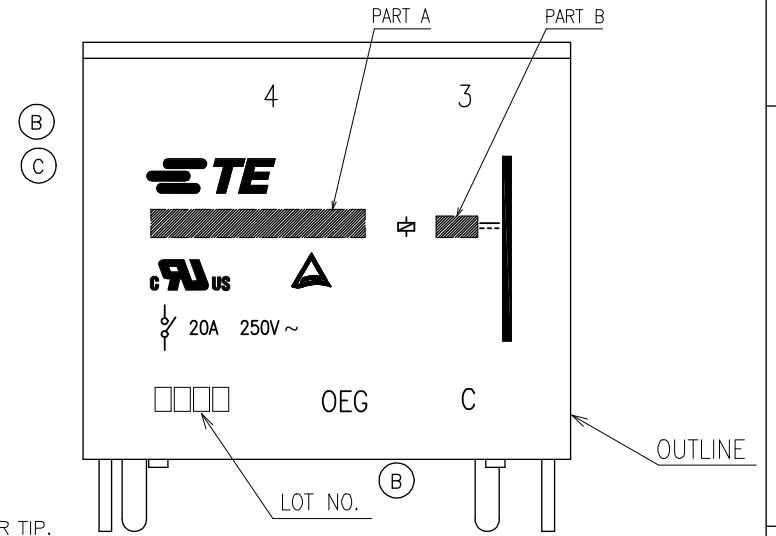
CONNECTION DIAGRAM (BOTTOM VIEW)



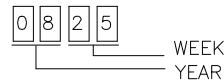
DRILLING DIAGRAM (BOTTOM VIEW)



VIEW C



NOTES:
 1. LOT NO. SYSTEM AS FOLLOWING:



2. GENERAL TOLERANCE AS FOLLOWING:

TOLERANCE	
0~0.99mm	±0.1
1mm~2.99mm	±0.2
3mm MIN.	±0.3

3. TERMINAL DIMENSION IS NOT INCLUDING SOLDER TIP.

THIS DRAWING IS A CONTROLLED DOCUMENT FOR TYCO ELECTRONICS CORPORATION. IT IS SUBJECT TO CHANGE AND THE CONTROLLING ENGINEERING ORGANIZATION SHOULD BE CONTACTED FOR THE LATEST REVISION.

DIMENSIONS: mm		TOLERANCES UNLESS OTHERWISE SPECIFIED:	
	±	0 PLC	±
	±	1 PLC	±
	±	2 PLC	±
	±	3 PLC	±
	±	4 PLC	±
	±	ANGLES	±
MATERIAL	FINISH	-	
SEE MATERIAL TABLE		-	

DWN	JIANJUN, AI	NAME	
CHK	XN, ZHANG	PCFN-D2M-2 CUSTOMER DRAWING	
APVD	C.H.HSU	SIZE	RESTRICTED TO
PRODUCT SPEC	-	A3	--
APPLICATION SPEC	-	CAGE CODE	DRAWING NO
WEIGHT	-	00779	1721717
CUSTOMER DRAWING		SCALE	3:1
		SHEET	1 OF 2
		REV	C

4

3

2

1


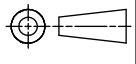
THIS DRAWING IS UNPUBLISHED. | RELEASED FOR PUBLICATION
 © COPYRIGHT | BY TYCO ELECTRONICS CORPORATION. ALL RIGHTS RESERVED.

LOC	DIST	REVISIONS						
		P	LTR	DESCRIPTION	ECN	DATE	DWN	APVD

1721717-7	PCFN-148D2M-2,	48V	PCFN-148D2M-2	g
1721717-6	PCFN-124D2M-2,	24V	PCFN-124D2M-2	f
1721717-5	PCFN-118D2M-2,	18V	PCFN-118D2M-2	e
1721717-4	PCFN-112D2M-2,	12V	PCFN-112D2M-2	d
1721717-3	PCFN-109D2M-2,	9V	PCFN-109D2M-2	c
1721717-2	PCFN-106D2M-2,	6V	PCFN-106D2M-2	b
1721717-1	PCFN-105D2M-2,	5V	PCFN-105D2M-2	a
TE PART NO	DESCRIPTION	PART B	PART A	ITEM

RELAY TYPE

		EPOXY RESIN	SEAL	17	
		POLYURETHANE Cu WIRE	MAGNETIC WIRE	16	
UL 94V-0		PPS	CARD	15	
UL 94V-0		PBT	CASE	14	
UL 94V-0		PBT	BASE	13	
UL 94V-0		PBT	BOBBIN	12	
	SOLDER DIP	Cu ALLOY	COIL TERMINAL R	11	
	SOLDER DIP	Cu ALLOY	COIL TERMINAL L	10	
		STAINLESS	HINGE SPRING	9	
		Ag ALLOY	STATIONARY CONTACT	8	
		Ag ALLOY	MOVABLE CONTACT	7	
	SOLDER DIP	Cu ALLOY	MOVABLE SPRING	6	
	SOLDER DIP	Cu ALLOY	STATIONARY TERMINAL	5	
	SOLDER DIP	Cu ALLOY	MOVABLE TERMINAL	4	
	Ni PLATED	STEEL	CORE	3	
	Ni PLATED	STEEL	ARMATURE	2	
	Ni PLATED	STEEL	YOKE	1	
	INCOMBUSTIBILITY	TREATMENT	MATERIAL	DESCRIPTION	ITEM

THIS DRAWING IS A CONTROLLED DOCUMENT FOR TYCO ELECTRONICS CORPORATION. IT IS SUBJECT TO CHANGE AND THE CONTROLLING ENGINEERING ORGANIZATION SHOULD BE CONTACTED FOR THE LATEST REVISION.		DWN	 TE Connectivity					
DIMENSIONS: mm		CHK				NAME		
		APVD				PCFN-D2M-2 CUSTOMER DRAWING		
TOLERANCES UNLESS OTHERWISE SPECIFIED:		PRODUCT SPEC				SIZE		
0 PLC ±		APPLICATION SPEC	CAGE CODE	DRAWING NO	RESTRICTED TO			
1 PLC ±		WEIGHT	A3	00779	—			
2 PLC ±		CUSTOMER DRAWING	SCALE	3:1	SHEET			
3 PLC ±			OF	2	REV			
4 PLC ±					C			
ANGLES ±								
MATERIAL	FINISH							
SEE MATERIAL TABLE	—							