

4

3

2

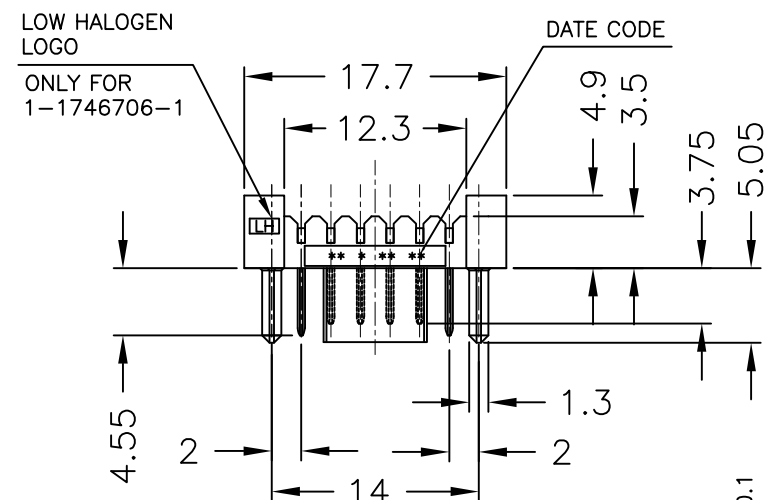
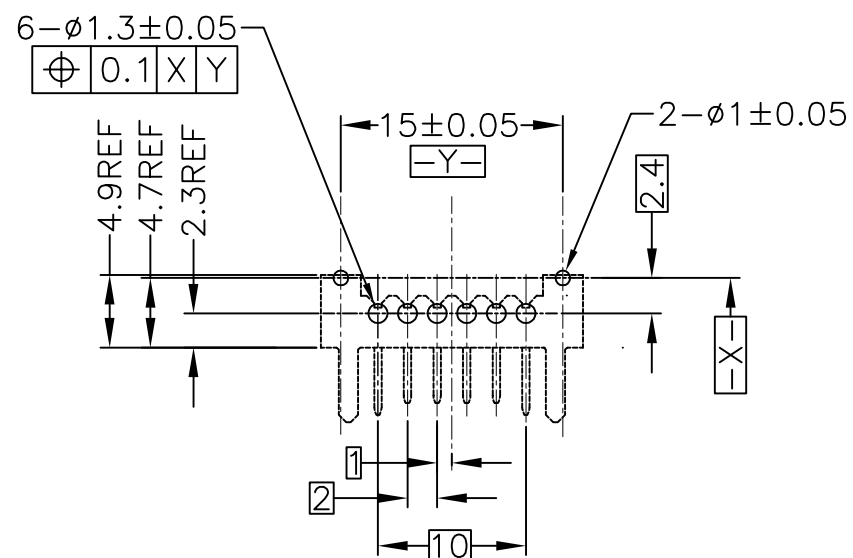
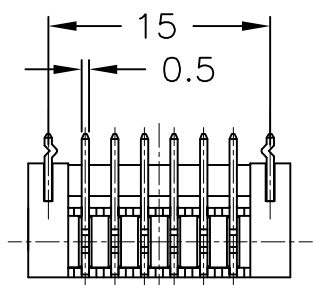
1

THIS DRAWING IS UNPUBLISHED. RELEASED FOR PUBLICATION

© COPYRIGHT BY TYCO ELECTRONICS CORPORATION. ALL RIGHTS RESERVED.

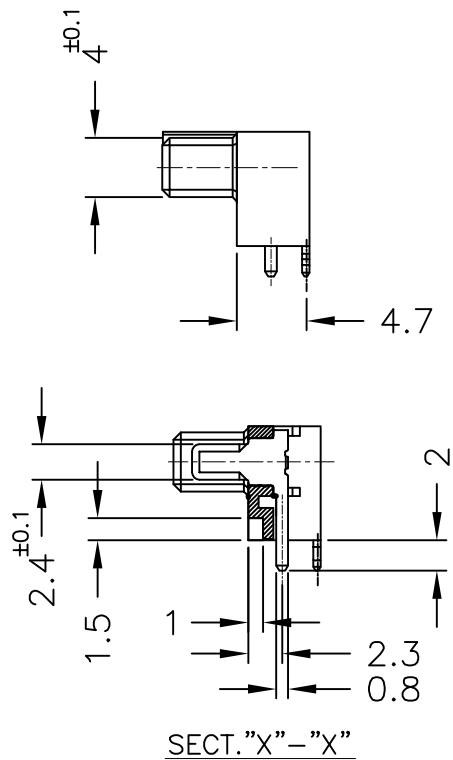
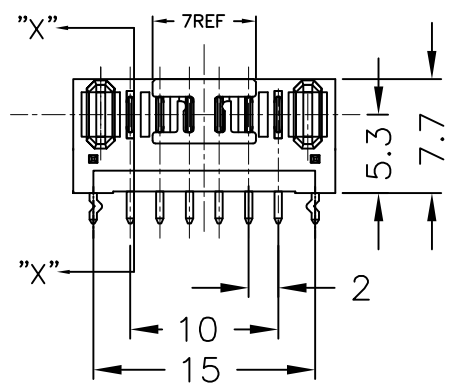
LOC	DIST	REVISIONS					
ES		P	LTR	DESCRIPTION	DATE	DWN	APVD
		B		REVISED PER ECR-10-000015	02DEC2009	S.W	S.Y

1746706-1, 1-1746706-1 : AS SHOWN



REFERENCE P.C. BOARD LAYOUT  
P.C. BOARD THK 0.8~1.2  
(VIEW FROM CONNECTOR MOUNTING SIDE)

- △ MATERIAL HOUSING : THERMOPLASTIC RESIN, UL94V-0  
COLOR ; BLACK  
CONTACT : COPPER ALLOY  
LEG : COPPER ALLOY
- △ FINISH CONTACT : Ni ALL OVER UNDER PL  
GOLD PL. (0.3μm MIN.) AT CONTACT AREA  
Au FLUSH PL. AT LEAD AREA  
LEG : Ni ALL OVER UNDER PL  
TIN PL.



	THERMOPLASTIC RESIN (LOW HALOGEN)	1-1746706-1
OBSOLETE	THERMOPLASTIC RESIN	1746706-1
	HOUSING MATERIAL	P/N

THIS DRAWING IS A CONTROLLED DOCUMENT.		DWN T.KATANO 16MAR04	Tyco Electronics Shanghai, P.R.China, 200233	
DIMENSIONS: MM		CHK T.KIMURA 16MAR04	NAME PLUG ASSEMBLY, 6POS. 2mm PITCH BATTERY CONNECTOR	
TOLERANCES UNLESS OTHERWISE SPECIFIED: Ø-PLG ± 0.3 1-PLG ± 2-PLG ± 3-PLG ± 4-PLG ± ANGLES ± 3'		APVD K.IKEGAMI 16MAR04	PRODUCT SPEC 108-5850	
MATERIAL		FINISH	APPLICATION SPEC	RESTRICTED TO
△		△	SIZE A3	CAGE CODE 00779
CUSTOMER DRAWING		WEIGHT	DRAWING NO C=1746706	SCALE 2:1
			SHEET 1 OF 1	REV B