

© - TE Connectivity. All Rights Reserved.

- NOTES :
- BAG PACKAGING;
 - ALL DIMENSIONS ARE NOMINAL FOR REFERENCE ONLY UNLESS OTHERWISE STATED;
 - ROHS: COMPLIANT

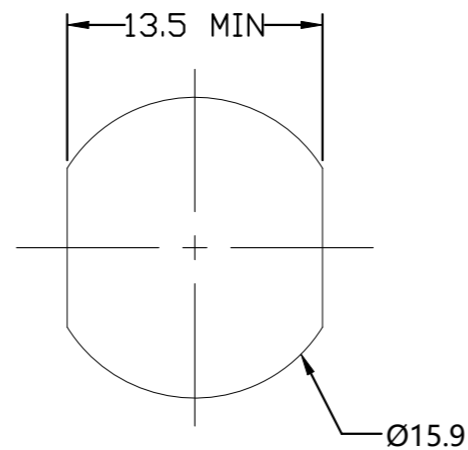
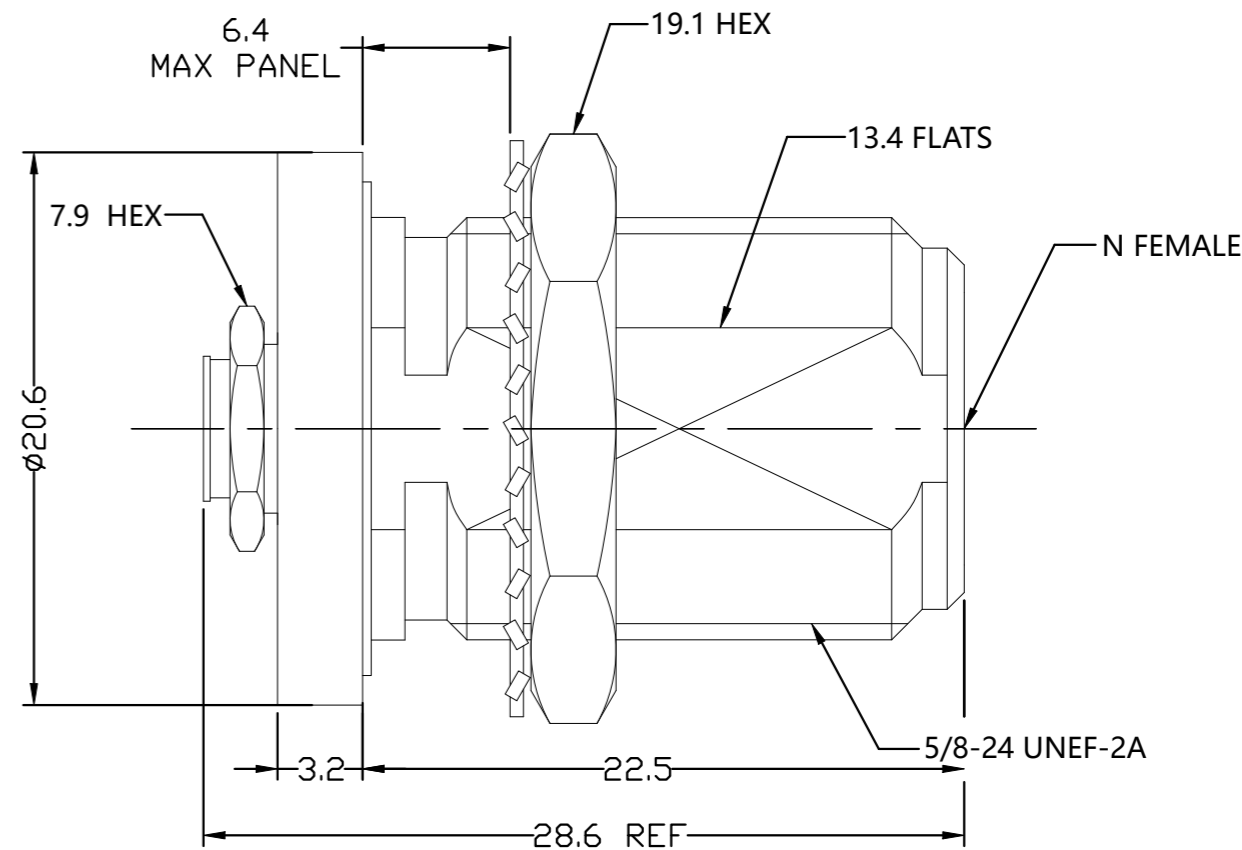
REVISIONS					
P	LTR	DESCRIPTION	DATE	DWN	APVD
	A2	REVISED AS PER ECN-26-368401	10FEB2026	YS	WZ

MATERIALS AND PLATING		UNIT: MICRO-INCHES
PART NAME	MATERIALS	PLATING
BODY	STAINLESS STEEL	PASSIVATION
INSULATOR	PTFE MIL-P-19468	N/A
CONTACT PIN	BeCu	GOLD 50u"/NICKEL 50u"/COPPER 10u"
GSKET	SILICONE	RED
NUT/WASHER	STAINLESS STEEL	PASSIVATION

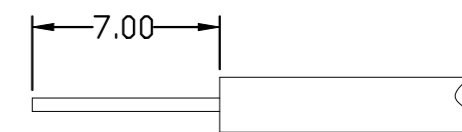
MECHANICAL CHARACTERISTICS	
FORCE TO ENGAGE AND DISENGAGE	N/A
CENTER CONTACT RETENTION FORCE	> 6.0 lbs
RECOMMENDED COUPLING TORQUE	12-15 in.lbs
COUPLING NUT RETENTION FORCE	N/A
DURABILITY	≥500cycles

ELECTRICAL CHARACTERISTICS		
IMPEDANCE	50 Ω	
VOLTAGE RATING	1000 V(rms)	
FREQUENCY RANGE	DC~18 GHz	
DIELECTRIC WITHSTANDING VOLTAGE	>1500 V	
CONTACT RESISTANCE	CENTER CONTACT	<1.0 mΩ
	OUTER CONTACT	<0.2 mΩ
INSULATION RESISTANCE	>5000 MΩ	
INSERTION LOSS	N/A	
VSWR	<1.35 @ DC-18GHz	

ENVIRONMENTAL PARAMETER	
TEMPERATURE RANGE	-65 °C~+125 °C
CORROSION	MIL- STD 202, Meth. 101,Cond. B
THERMAL SHOCK	MIL- STD 202, Meth. 107,Cond. B
VIBRATION	MIL- STD 202, Meth. 204,Cond. B
SHOCK	MIL- STD 202, Meth. 213,Cond.I



RECOMMENDED MOUNTING HOLE



RECOMMENDED CABLE STRIPPING DIM'S

THIS DRAWING IS A CONTROLLED DOCUMENT.		DWN	11-15-91	STE TE Connectivity	
		CHK	3/31/92		
DIMENSIONS: mm		TOLERANCES UNLESS OTHERWISE SPECIFIED:		NAME	
		0 PLC ± -		OSN HIGH FREQ. BULKHEAD FEEDTHRU CABLE JACK	
		1 PLC ± 0.3		SOLDER CLAMP ATTACHMENT	
		2 PLC ± 0.2		-	
		3 PLC ± 0.1		APPLICATION SPEC	
		4 PLC ± -		-	
ANGLES ± -		FINISH		SIZE	CAGE CODE
MATERIAL		-		DRAWING NO	
-		-		A3 00779 C-1058628	
-		-		RESTRICTED TO	
-		-		-	
CUSTOMER DRAWING		SCALE 1:1		SHEET 1 OF 1	
-		-		REV A2	