

NOTES:

ALL DIMENSIONS ARE NOMINAL FOR REFERENCE ONLY UNLESS OTHERWISE STATED.

RoHS: COMPLIANT.

ELECTRICAL SPECIFICATIONS:

IMPEDANCE: 50Ω
FREQUENCY: DC to 6GHz
VOLTAGE RATING: 500 V (rms)
DIELECTRIC WITHSTANDING VOLTAGE: >1500V
INSULATION RESISTANCE: >5000mΩ
PRODUCT WEIGHT: 17.333g

CONTACT RESISTANCE:

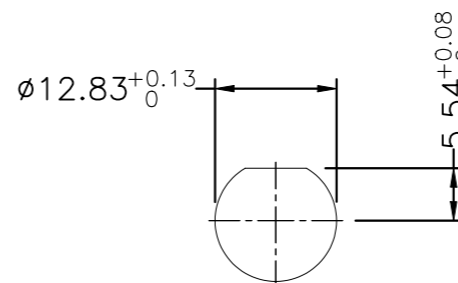
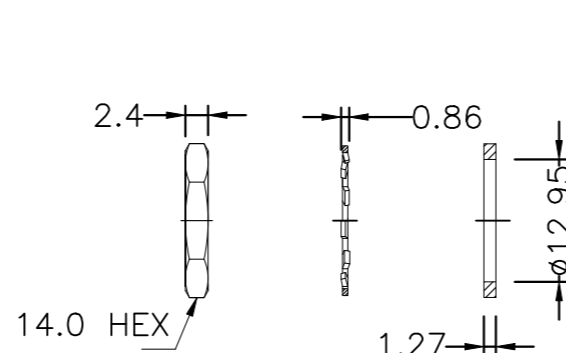
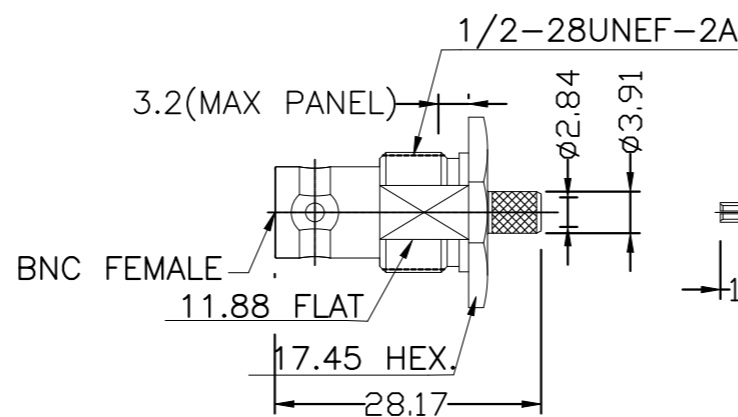
CENTER: <1.5 milliohms.
OUTER: <0.2 milliohms.

MECHANICAL CHARACTERISTICS

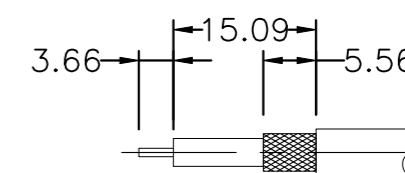
DURABILITY: >500 CYCLES.
CENTER CONTACT RETENTION FORCE : 6lbs

ENVIRONMENTAL PARAMETER

TEMPERATURE RANGE: -40°C TO +165°C
THERMAL SHOCK: MIL-STD 202,METH.107,COND.B
VIBRATION: MIL-STD 202,METH.204,COND.B
SHOCK : MIL-STD 202,METH.213,COND.I



RECOMMENDED PANEL CUTOUT



RECOMMENDED PANEL CUTOUT

REVISIONS					
P	LTR	DESCRIPTION	DATE	DWN	APVD
	A1	RELEASED AS ER ECN-26-368630	11FEB2026	YS	WZ

NOTES:

FINISH (PLATING THICKNESS IN MICRO-INCHES)

- 100 MICROINCHES MIN NICEKL PLATED.
50 MICROINCHES MIN OVER COPPER UNDERPLATED
- 30 MICROINCHES MIN GOLD PLATED,
50 MICROINCHES MIN OVER NICKEL UNDERPLATED.
- 100 MICROINCHES MIN MATTE TIN PLATED.

1	NOTE 3	BRASS	FERRULE	7
1	RED	SILICONE	GASKET	6
1	NOTE 1	PHOSPHOR BRONZE	LOCKWASHER	5
1	NOTE 1	BRASS	NUT	4
1	NOTE 2	Be-Cu C17300	CONTACT PIN	3
1	N/A	PTFE ASTM-D-1710	INSULATOR	2
1	NOTE 1	BRASS	BODY	1
5225398-8	FINISH/PLATING	MATERIAL	DESCRIPTION	ITEM

QUANTITY PER ASSY

PARTS LIST

THIS DRAWING IS A CONTROLLED DOCUMENT.		DWN SARGUNAM, YAZHINI 12SEP2025	TE Connectivity		
		CHK CHEE, TSHUPIN 12SEP2025			
		APVD ZI, WILL 12SEP2025	NAME JACK, BULKHEAD, BNC		
DIMENSIONS: mm		TOLERANCES UNLESS OTHERWISE SPECIFIED:	PRODUCT SPEC		
		0 PLC ± - 1 PLC ± 0.3 2 PLC ± 0.2 3 PLC ± 0.1 4 PLC ± - ANGLES ± -	APPLICATION SPEC		
MATERIAL		FINISH	SIZE A3	CAGE CODE YS	DRAWING NO G-5225398-8
			WEIGHT 0	RESTRICTED TO	
CUSTOMER DRAWING			SCALE 1:1	SHEET 1 OF 1	REV A1