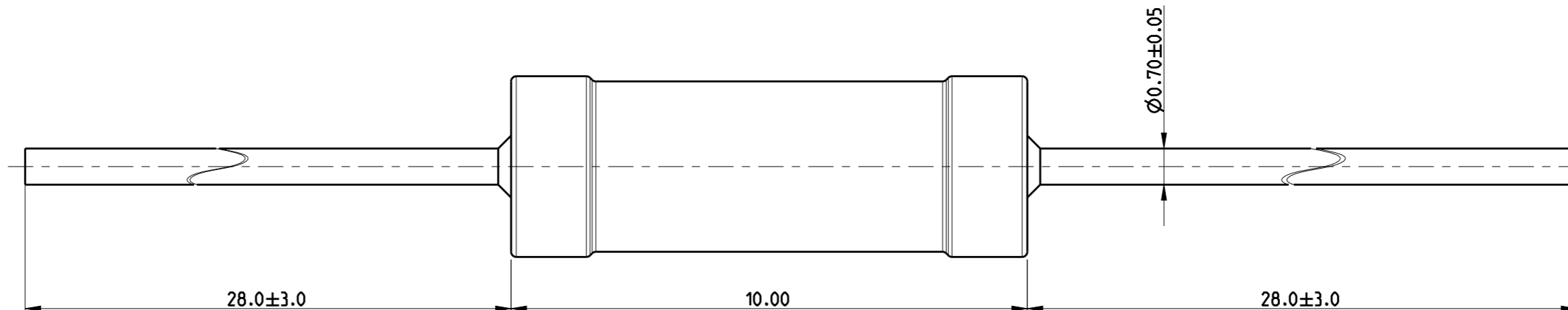
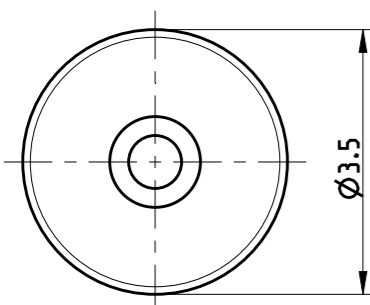


© 2020 TE Connectivity. All Rights Reserved.

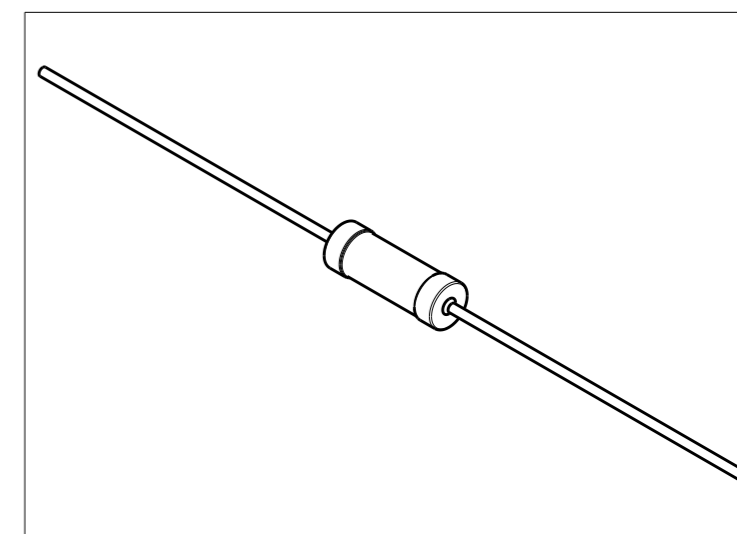
REVISIONS

P	LTR	DESCRIPTION	DATE	DWN	APVD
	BA	NEW RELEASE	04NOV2020	MHS	AP

FOR FURTHER INFORMATION SEE DATA SHEET FOR SERIES ROX. FLAME-PROOF POWER METAL OXIDE FILM RESISTORS



RoHS Compliant



THIS DRAWING IS A CONTROLLED DOCUMENT.		DWN MANOHAR H S 04NOV2020		
		CHK ALLAN PILE 04NOV2020		
		APVD ALLAN PILE 04NOV2020	NAME FLAME-PROOF POWER METAL OXIDE FILM RESISTORS SERIES ROX1S	
DIMENSIONS: mm		PRODUCT SPEC -	RESTRICTED TO	
TOLERANCES UNLESS OTHERWISE SPECIFIED:		APPLICATION SPEC -	SIZE A3	CAGE CODE 00779
0 PLC $\pm 0.2$		WEIGHT -	DRAWING NO C-1625885	
1 PLC $\pm 0.1$		CUSTOMER DRAWING	SCALE 10:1	SHEET 1 OF 1
2 PLC $\pm$				REV BA
3 PLC $\pm$				
4 PLC $\pm$				
ANGLES $5^\circ$				
FINISH				
MATERIAL				