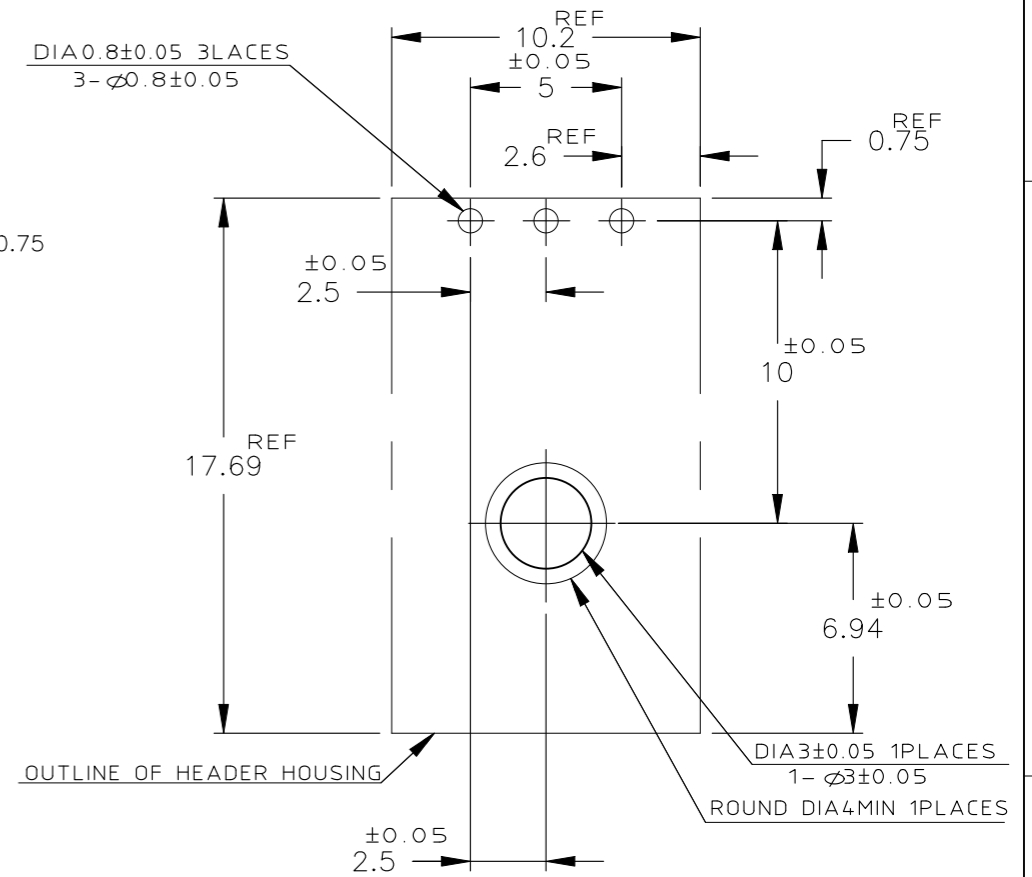
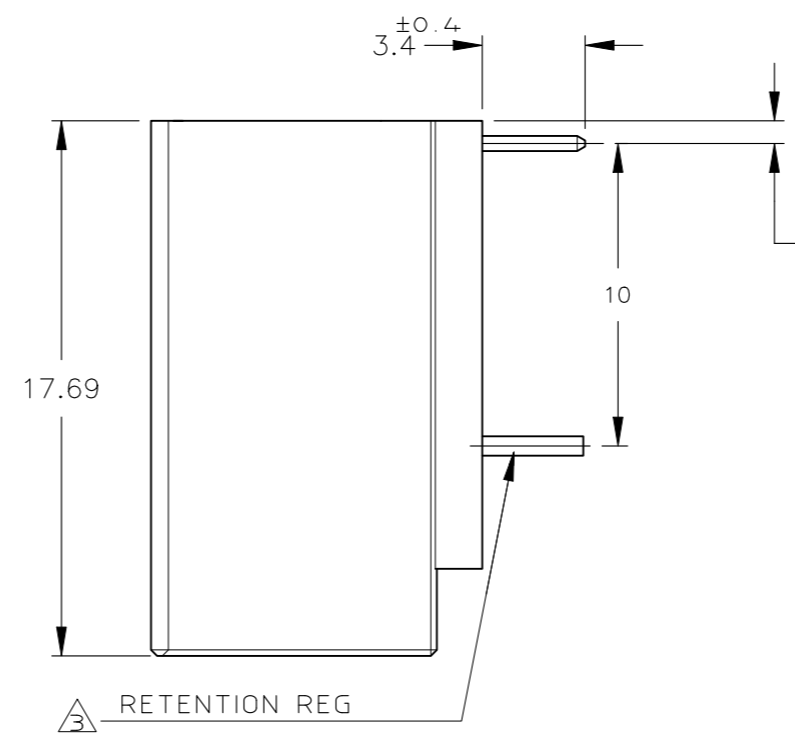
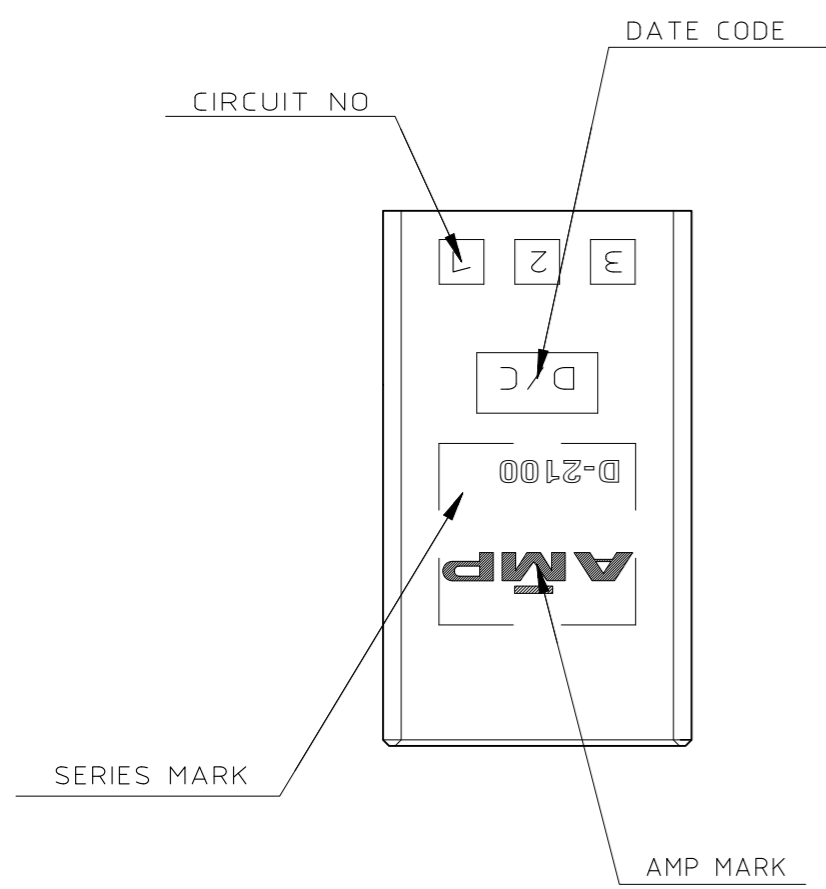
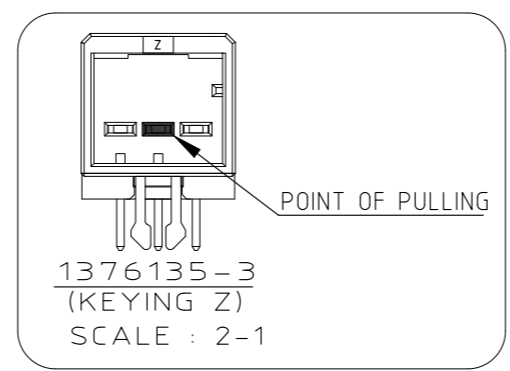
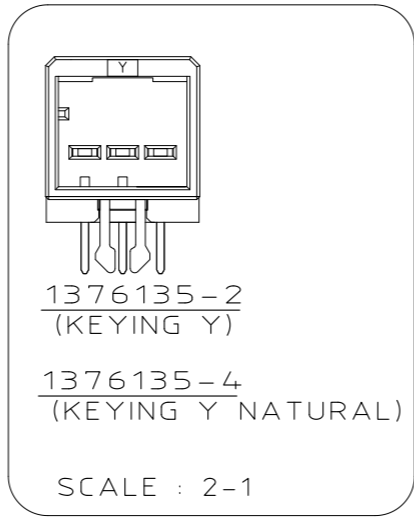
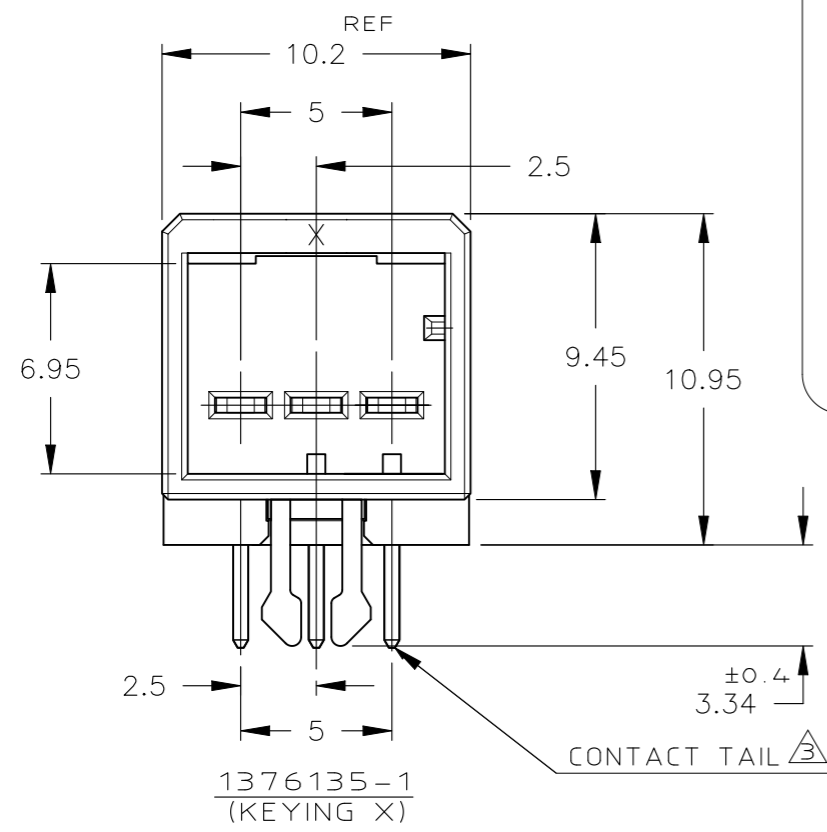


REVISIONS					
P	LTR	DESCRIPTION	DATE	DWN	APVD
E		REVISED PER ECR-26-274607	25MAR2026	A.L.	L.L.



RECOMENDED PC BOARD HOLE PATTERN(TOL:±0.05)
 PC BOARD THICKNESS:1.6±0.3
 (CONNECTOR MOUNT SIDE)



- NOTES
- MATERIAL:HOUSING:GLASS FILED THERMO PLASTIC ,POLYESTER(94V-0),COLOR:BLACK OR NATURAL
 TAB CONTACT:COPPER ALLOY
 RETENTION LEG:BRASS
 - FINISH(CONTACT AREA):0.38μmMIN GOLD PLATING OVER Ni PLATING
 - FINISH(RETENTION LEG): TIN PLATED (CONTACT TAIL) OVER NICKEL

THIS DRAWING IS A CONTROLLED DOCUMENT.		DWN K.IKEDA 24FEB'00	TE Connectivity		
DIMENSIONS: mm		CHK Y.KATO 28FEB'00			
TOLERANCES UNLESS OTHERWISE SPECIFIED:		APVD I.HASEGAWA 28FEB'00	NAME SINGLE ROW HEADER ASS'Y 3P ("H" TYPE) <DYNAMIC D-2100S>		
0 PLC ± 0.4		PRODUCT SPEC 108-5619	RESTRICTED TO		
1 PLC ± 0.4		APPLICATION SPEC 114-5258	SIZE A3	CAGE CODE 00779	DRAWING NO C-1376135
2 PLC ± 0.4		WEIGHT --	SCALE 4:1		
3 PLC ± -		CUSTOMER DRAWING	SHEET 1 OF 1		
4 PLC ± -			REV E		
ANGLES ± 3°					
MATERIAL SEE NOTES					
FINISH SEE NOTES					