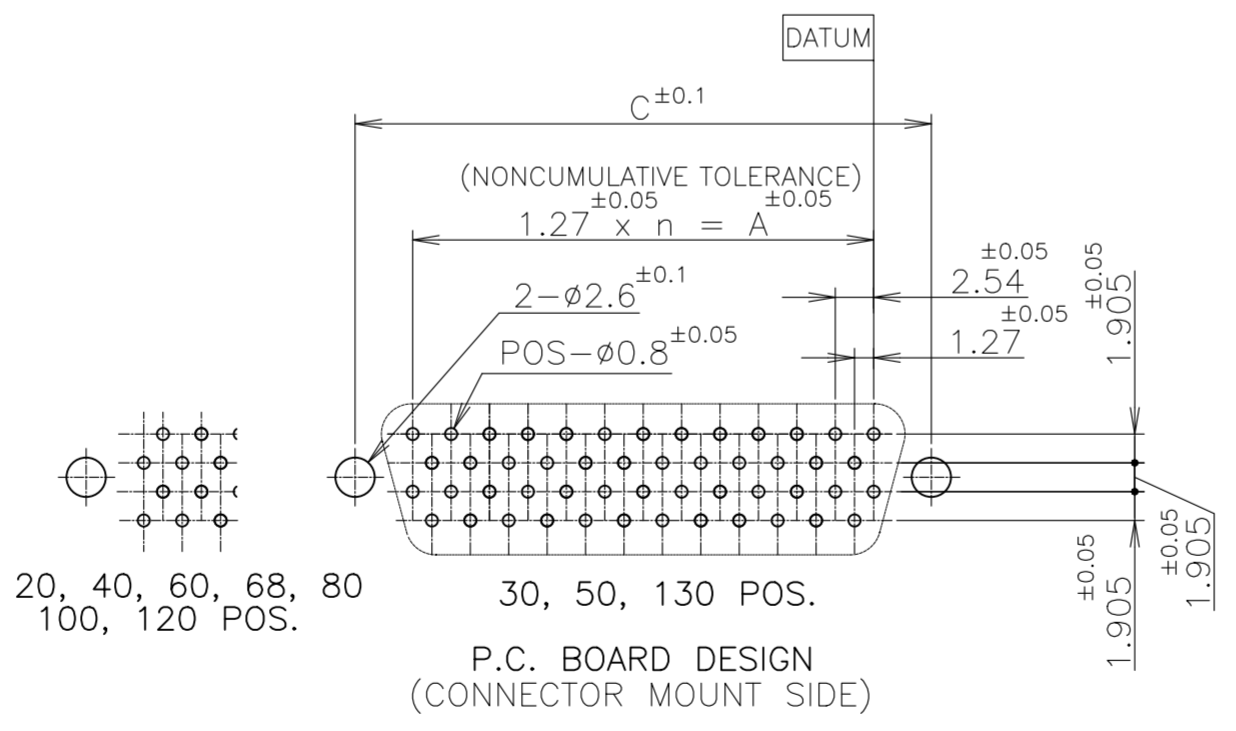
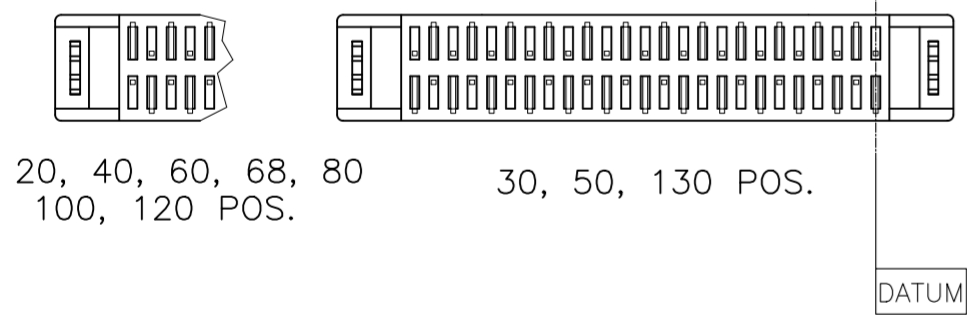
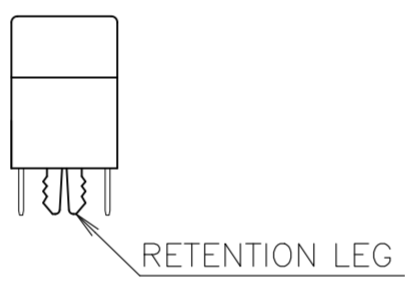
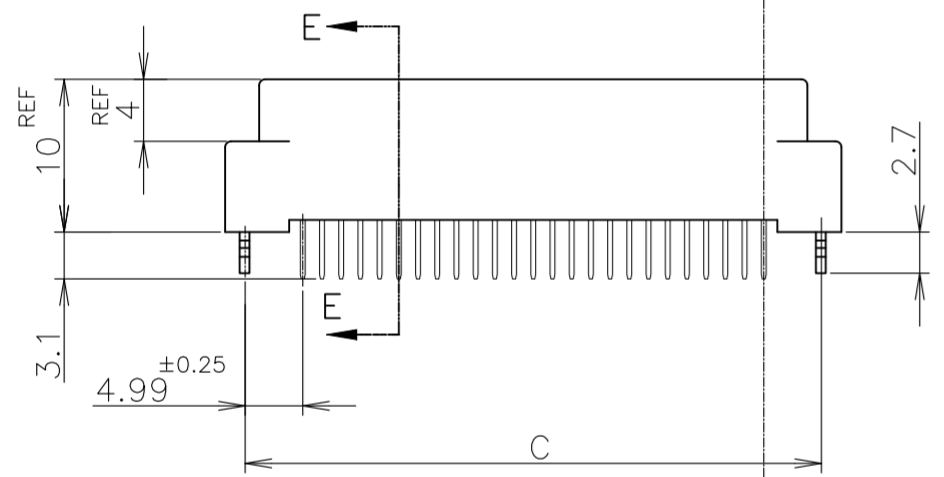
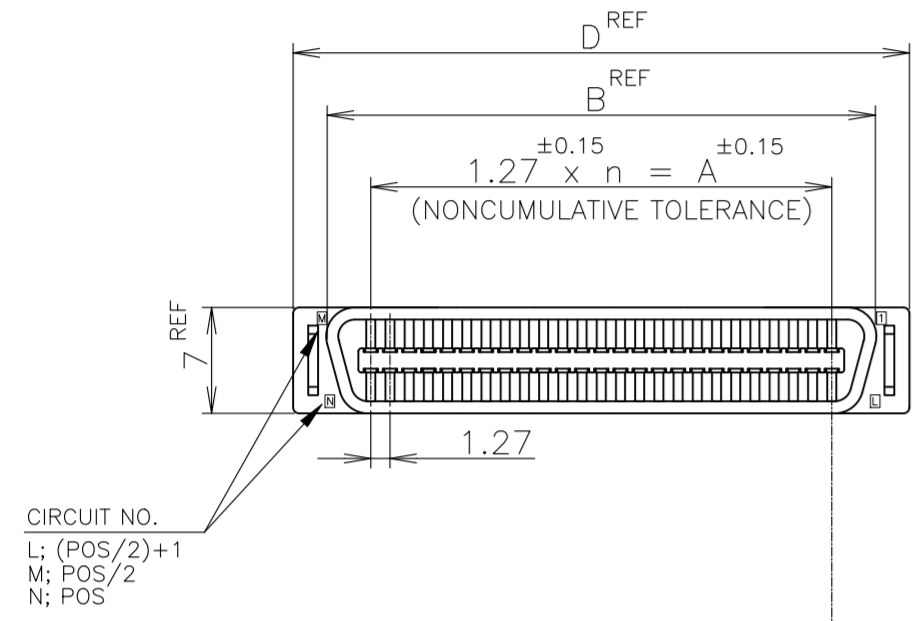
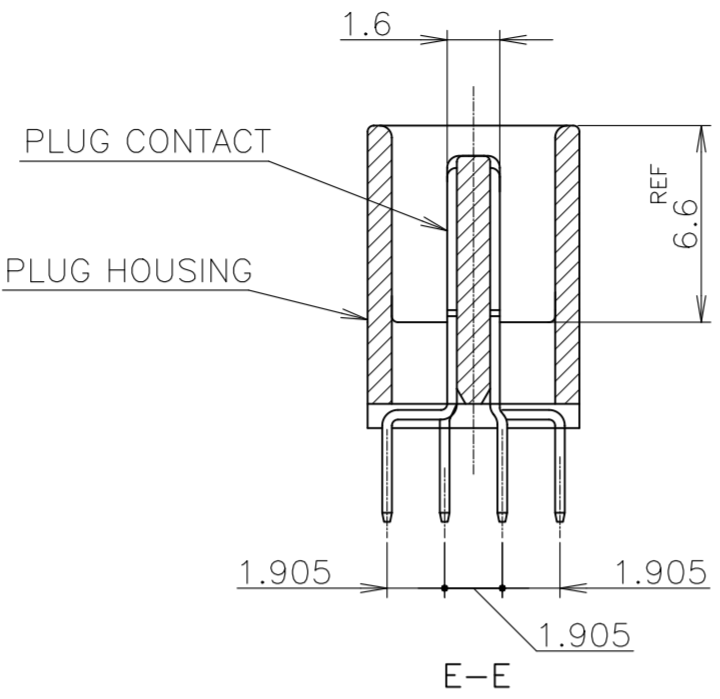
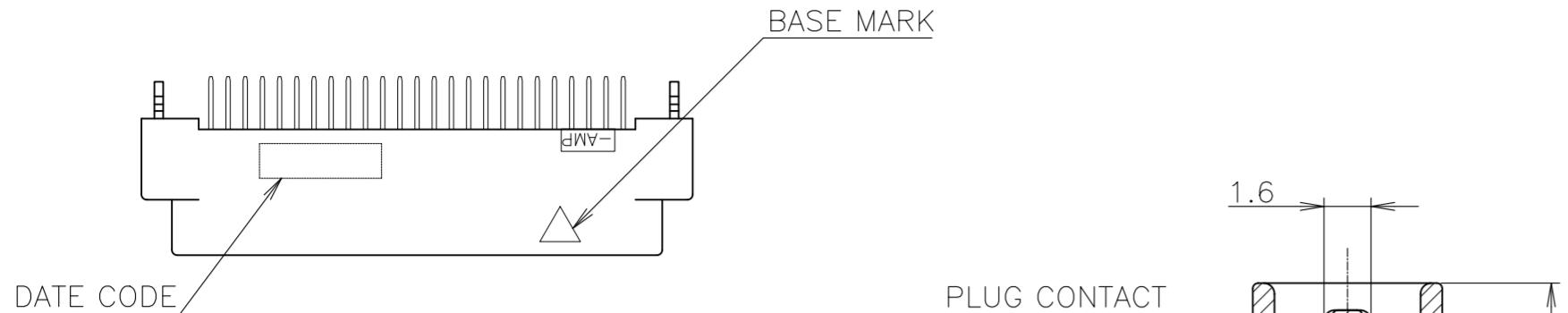


REVISIONS					
P	LTR	DESCRIPTION	DATE	DWN	APVD
C2		REVISED AS PER ECR-26-267870	27JAN2026	TR	NSK



1 NUMBER "n" S COUNTED FROM DATUM
(CIRCUIT NO.1 IS "AMP" MARK SIDE.)
 2 MATERIAL: HOUSING; 66 NYLON (GF) UL 94V-0, BLACK.
 : CONTACT; PHOSPHOR BRONZE.
 : RETENTION LEG; BRASS.
 3 FINISH: CONTACT; Au AT CONTACT AREA (SEE TABLE),
 (A) ALTERNATE PLATING: Au 2u"+30u" PdNi
 TIN AT TINE OVER Ni.
 RETENTION LEG; TIN UNDER Ni.

POS.	n	A	B	C	D		
6-	-2	130	64	81.28	89.62		
6-	-1	120	59	74.93	83.27		
6-	-0	100	49	62.23	70.57		
5-	-9	80	39	49.53	57.87		
5-	-8	68	33	41.91	50.25		
5-	-7	60	29	36.83	45.17		
5-	-6	50	24	30.48	38.82		
5-	-5	40	19	24.13	32.47		
5-	-3	30	14	17.78	26.12		
5-	-1	20	9	11.43	19.77		
4-	-2	130	64	81.28	89.62		
4-	-1	120	59	74.93	83.27		
4-	-0	100	49	62.23	70.57		
3-	-9	80	39	49.53	57.87		
3-	-8	68	33	41.91	50.25		
3-	-7	60	29	36.83	45.17		
3-	-6	50	24	30.48	38.82		
3-	-5	40	19	24.13	32.47		
3-	-3	30	14	17.78	26.12		
3-	-1	20	9	11.43	19.77		
1-	-2	130	64	81.28	89.62		
1-	-1	120	59	74.93	83.27		
1-	-0	100	49	62.23	70.57		
-9		80	39	49.53	57.87		
-8		68	33	41.91	50.25		
-7		60	29	36.83	45.17		
-6		50	24	30.48	38.82		
-5		40	19	24.13	32.47		
-3		30	14	17.78	26.12		
5175473-1	0.0002	20	9	11.43	19.77		
PART NO.	Au PLATE	POS.	n	A	B	C	D

LEAD FREE

GENERAL TOLERANCE	
10 ≥ :	±0.2
30 ≥ > 10:	±0.25
100 ≥ > 30:	±0.3
ANGLES:	±3°

THIS DRAWING IS A CONTROLLED DOCUMENT.

DWN Julyee Zhu 19AUG2004	TE Connectivity Ltd.					
CHK Steven Yao 19AUG2004						
APVD Ikuo Enomoto 19AUG2004						
NAME 108-60038						
MATERIAL	FINISH	WEIGHT 0.000000	SIZE A2	CAGE CODE 00779	DRAWING NO. C=5175473	RESTRICTED TO
CUSTOMER DRAWING			SCALE NTS	SHEET 1 of 1	REV C2	