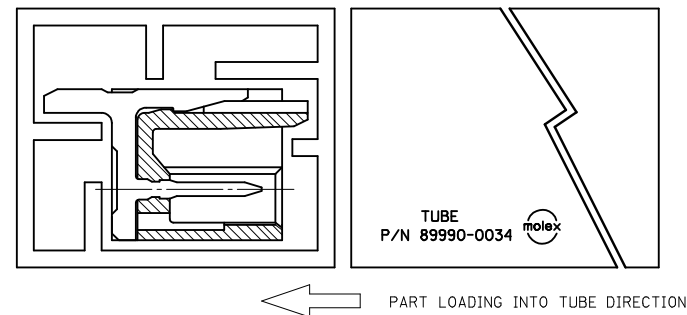


SECTION A-A



NOTES:

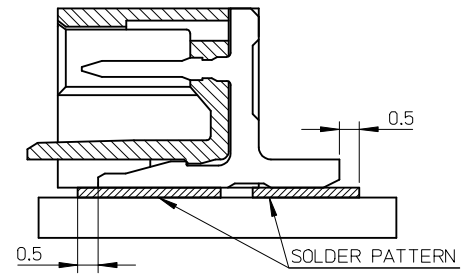
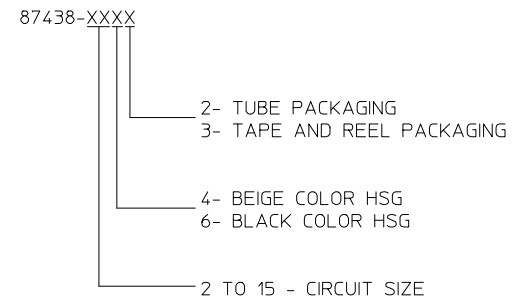
- MATERIALS:
HOUSING: NYLON, GLASS-FILLED, UL94 V-0;
COLOR: SEE TABLE
PINS: BRASS ALLOY, C26000
- PLATING: 2.54µM MIN. TIN OVER 1.27µM MIN. NICKEL.
- DRAWING SHOWS PLUG WITH 5 CIRCUITS.
- HEADER TO BE USED WITH CRIMP HOUSING, P/N 87439 AND CRIMP TERMINAL, P/N 87421
- PARTS SHALL BE PACKED IN MOISTURE BARRIER BAG.
- THIS DRAWING IS RE-DRAWING OF SD-87438-***31.

REVISED EC NO: J2014-0698 DRAWN: RHORI 2013/10/21 CHKD: KASAKAWA 2013/10/22 APPR: NUKITA 2013/10/22	GENERAL TOLERANCES (UNLESS SPECIFIED)		DIMENSION STYLE MM ONLY		SCALE NTS	DESIGN UNITS METRIC	THIRD ANGLE PROJECTION
	10 UNDER	± 0.20	DRAWN BY KCLING	DATE 1994/04/08	TITLE 1.50MM PITCH, W-T-B HEADER, R/A, SMT		
	10 OVER 30 UNDER	± 0.20	CHECKED BY SKTOH	DATE 1994/04/21			
	30 OVER	± 0.20	APPROVED BY NUKITA	DATE 2013/10/22			
ANGULAR	± 3 °	MATERIAL NO. SEE TABLE		DOCUMENT NO. SD-87438-001		SHEET NO. 1 OF 3	
DRAFT WHERE APPLICABLE MUST REMAIN WITHIN DIMENSIONS		THIS DRAWING CONTAINS INFORMATION THAT IS PROPRIETARY TO MOLEX INCORPORATED AND SHOULD NOT BE USED WITHOUT WRITTEN PERMISSION					

10 9 8 7 6 5 4 3 2 1

CKT SIZE	A	B	C	D	E
02	1.50	3.30	3.70	4.30	1.70
03	3.00	4.80	5.20	5.80	3.20
04	4.50	6.30	6.70	7.30	4.70
05	6.00	7.80	8.20	8.80	6.20
06	7.50	9.30	9.70	10.30	7.70
07	9.00	10.80	11.20	11.80	9.20
08	10.50	12.30	12.70	13.30	10.70
09	12.00	13.80	14.20	14.80	12.20
10	13.50	15.30	15.70	16.30	13.70
11	15.00	16.80	17.20	17.80	15.20
12	16.50	18.30	18.70	19.30	16.70
13	18.00	19.80	20.20	20.80	18.20
14	19.50	21.30	21.70	22.30	19.70
15	21.00	22.80	23.20	23.80	21.20

PART NUMBER ASSIGNMENT

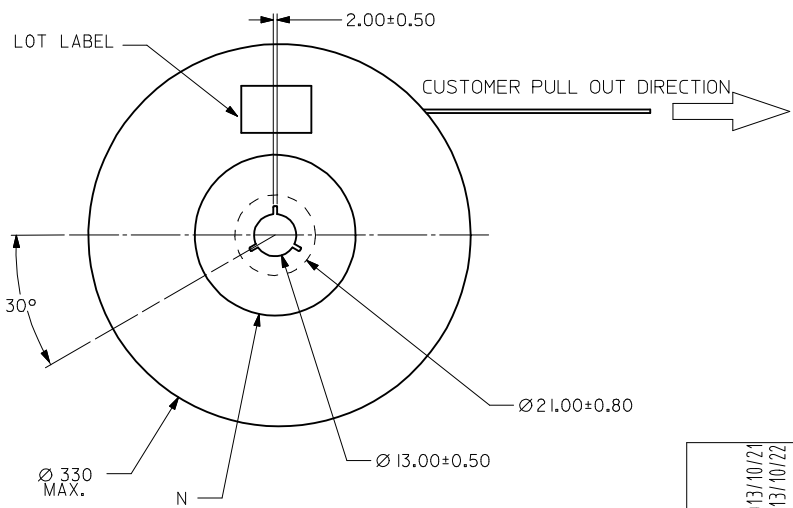
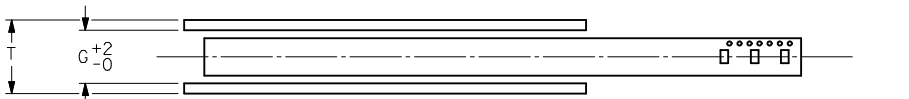
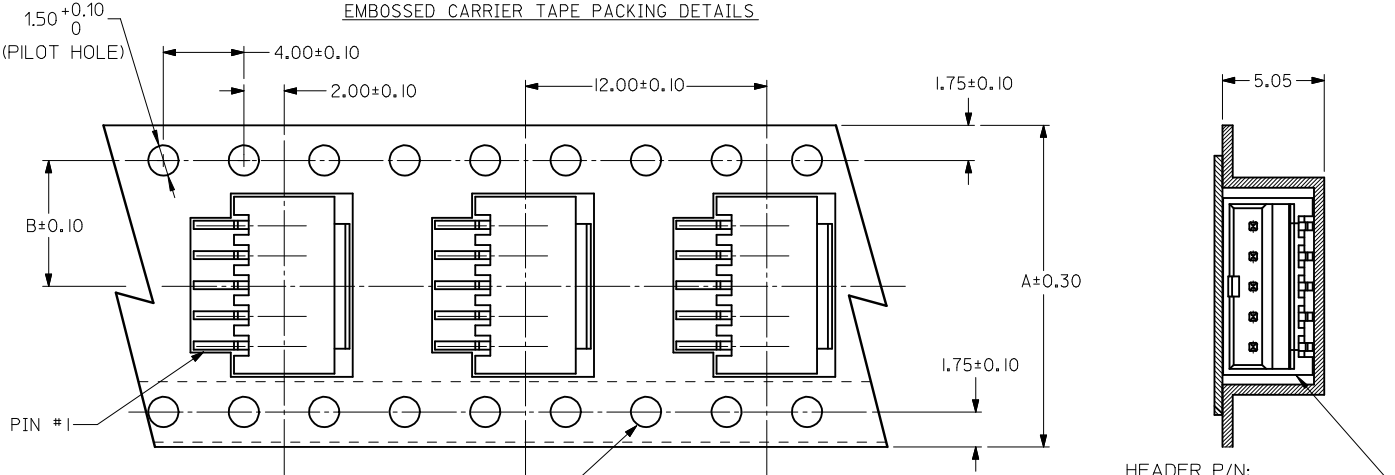


MOUNTING POSITION OF THE CONNECTOR

REVISED EC NO: J2014-0698 DRWNR:HORI 2013/10/24 CHKD:KASAKAWA 2013/10/22 APPR:NUKITA 2013/10/22	GENERAL TOLERANCES (UNLESS SPECIFIED)		DIMENSION STYLE MM ONLY	SCALE NTS	DESIGN UNITS METRIC	THIRD ANGLE PROJECTION
	10 UNDER	± 0.20	DRAWN BY KCLING	DATE 1994/04/08	1.50MM PITCH, W-T-B HEADER, R/A, SMT	
	10 OVER 30 UNDER	± 0.20	CHECKED BY SKTOH	DATE 1994/04/21		
	30 OVER	± 0.20	APPROVED BY NUKITA	DATE 2013/10/22	molex SD-87438-001	
ANGULAR ±3 °		MATERIAL NO. SEE TABLE	DOCUMENT NO. SD-87438-001	SHEET NO. 2 OF 3		
DRAFT WHERE APPLICABLE MUST REMAIN WITHIN DIMENSIONS		THIS DRAWING CONTAINS INFORMATION THAT IS PROPRIETARY TO MOLEX INCORPORATED AND SHOULD NOT BE USED WITHOUT WRITTEN PERMISSION				

9 8 7 6 5 4 3 2

10	9	8	7	6	5	4	3	2	1
15	44	20.20	100	44.40	50.40				
11, 12, 13, 14	32	14.20	100	32.40	38.40				
7, 8, 9, 10	24	11.50	100	24.40	30.40				
2, 3, 4, 5, 6	16	7.50	100	16.40	22.40				
CIRCUIT SIZE	A	B	N	G	T MAX				



- NOTES:
- LEADER AND TRAILER TAPE
 - PEELING OFF FORCE OF THE TOP TAPE: 20-80gf.
(PEELING DIRECTION AS SHOWN IN FOLLOWING FIGURE)
 - PACKAGING STANDARD IS AS PER EIA-481.
 - TAPE & REEL QUANTITY = 1000PCS/REEL
 - THE TAPE IS TREATED FOR ANTI-STATIC

REVISED	EC NO: J2014-0698	2013/10/21	GENERAL TOLERANCES (UNLESS SPECIFIED)	DIMENSION STYLE	SCALE	DESIGN UNITS	THIRD ANGLE PROJECTION
	DRWR:RHORI	2013/10/21	10 UNDER	MM ONLY	NTS	METRIC	
	CHKD:KASAKAWA	2013/10/22	10 OVER 30 UNDER	DRAWN BY	DATE	TITLE	
	APPR:NUKITA	2013/10/22	30 OVER	KCLING	1994/04/08	150MM PITCH, W-T-B HEADER, R/A, SMT	
			ANGULAR $\pm 3^\circ$	CHECKED BY	DATE		
			DRAFT WHERE APPLICABLE MUST REMAIN WITHIN DIMENSIONS	SKTOH	1994/04/21		
				APPROVED BY	DATE		
				NUKITA	2013/10/22		
				MATERIAL NO.	DOCUMENT NO.		
				SEE TABLE	SD-87438-001		
				SIZE			
				A3	THIS DRAWING CONTAINS INFORMATION THAT IS PROPRIETARY TO MOLEX INCORPORATED AND SHOULD NOT BE USED WITHOUT WRITTEN PERMISSION		