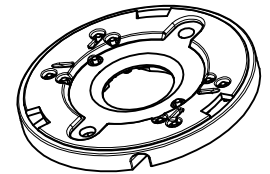
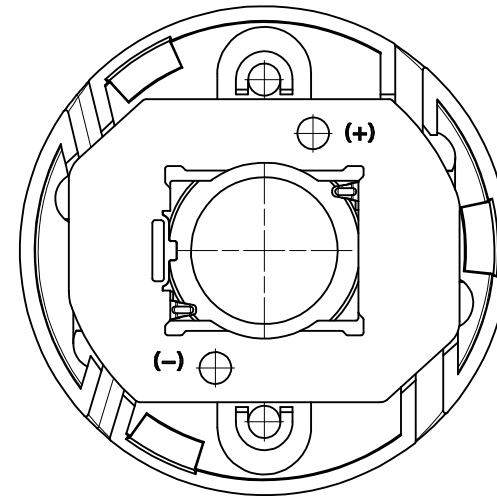
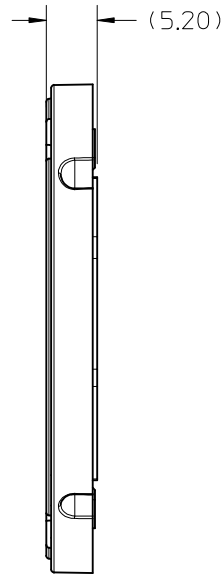
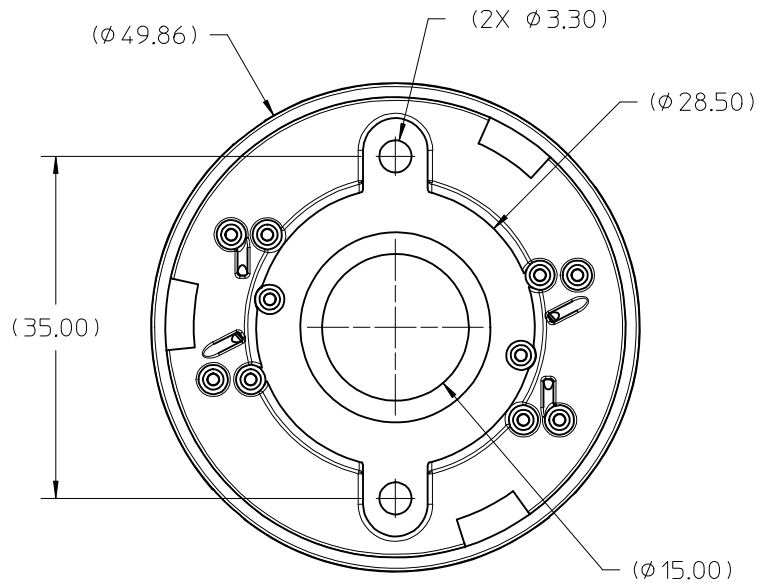


P/N 180580-0004 HOLDER WITHOUT LENS ATTACH FEATURES



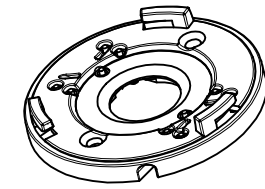
ISO TOP VIEW  
SCALE 1:1



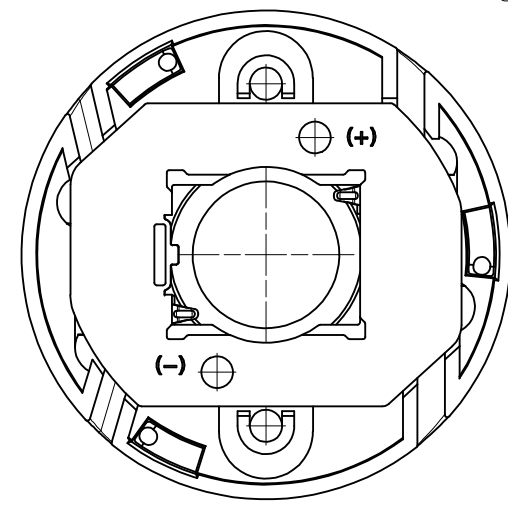
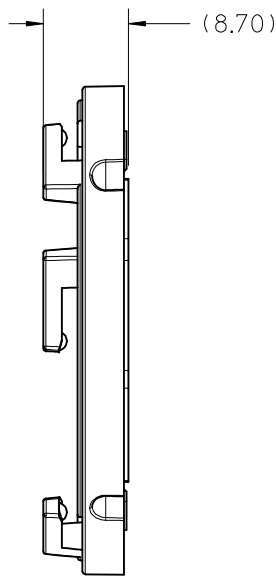
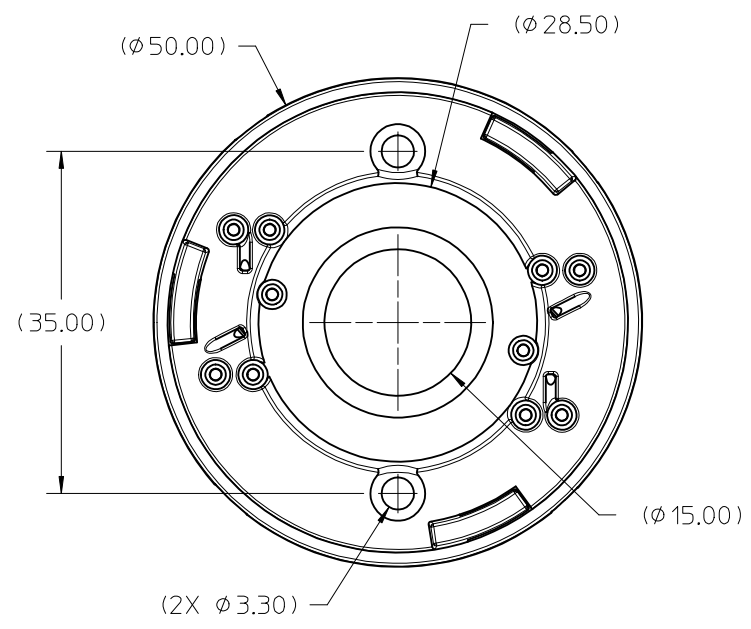
- 1) MATERIALS: COVER: PBT 30% GF, COLOR: WHITE, UL94V-0  
HOUSING: PBT 30% GF, COLOR: WHITE, UL94V-0
- 2) WIRE TRAP TERMINALS: COPPER ALLOY  
FINISH: LED CONTACT: GOLD OVER NICKEL,  
WIRE TRAP: TIN OVER NICKEL.
- 3) APPLICABLE WIRE GAUGE - 18, 20, OR 22 AWG
  - a. SOLID WIRE IS PREFERRED
  - b. PRE-TINNED STRANDED WIRE IS ACCEPTABLE
  - c. 1 cm STRIP LENGTH IS RECOMMENDED
- 4) MOUNT HOLDER USING M3 OR 4-40 SCREWS (2),  
0.4 NEWTON METER MIN 0.8 NEWTON METER MAX TORQUE

ENTER DESCRIPTION EC NO: SSL2014-0052 DRAWN BY: MCOLE CHKD: MCOLE APPR: DMCGOWAN DATE: 2013/08/21 DATE: 2013/11/21	DESCRIPTION REV	QUALITY SYMBOLS	GENERAL TOLERANCES (UNLESS SPECIFIED)	DIMENSION STYLE	SCALE	DESIGN UNITS	THIRD ANGLE PROJECTION		
		$\nabla = 0$ $\nabla = 0$ $\nabla = 0$	mm      INCH 4 PLACES ± --- ± --- 3 PLACES ± --- ± --- 2 PLACES ± 0.13 ± --- 1 PLACE ± 0.25 ± --- 0 PLACE ± --- ± ---	MM ONLY	2:1	METRIC	DRAWN BY: MCOLE      DATE: 2013/05/29 CHECKED BY:      DATE:	TITLE NICHIA LTYPE HOLDER ZHAGA STYLE COVER ASSY	
			ANGULAR ± 1/2° DRAFT WHERE APPLICABLE MUST REMAIN WITHIN DIMENSIONS	APPROVED BY: DMCGOWAN      DATE: 2013/11/21 MATERIAL NO. 1805800004 SIZE B	DOCUMENT NO. SD-180580-004	SHEET NO. 1 OF 3			
		THIS DRAWING CONTAINS INFORMATION THAT IS PROPRIETARY TO MOLEX INCORPORATED AND SHOULD NOT BE USED WITHOUT WRITTEN PERMISSION							

P/N 180580-0005 HOLDER WITH LENS ATTACH FEATURES



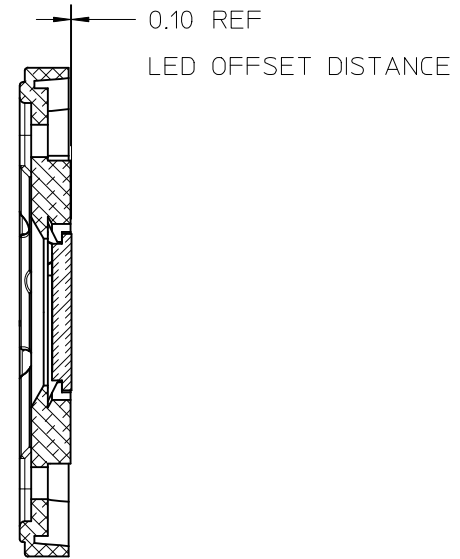
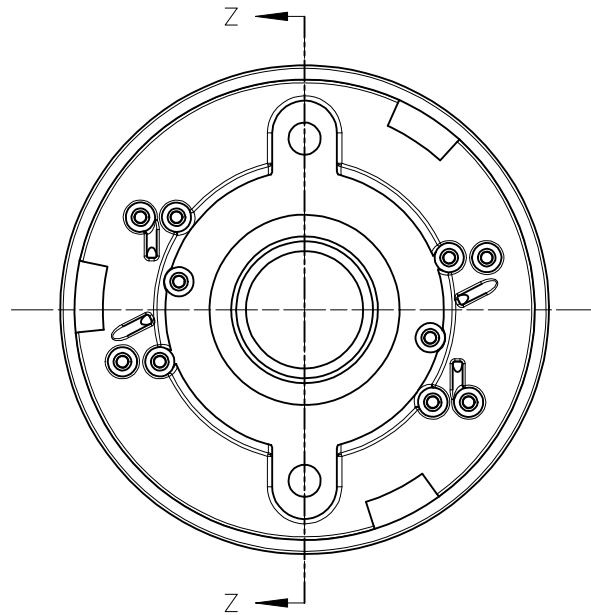
ISO VIEW TOP  
SCALE 1:1



ENTER DESCRIPTION EC NO: SSL2014-0052 DRAWN BY: MCOLE 2013/08/21 CHKD: DMCGOWAN APPR: DMCGOWAN 2013/11/21	QUALITY SYMBOLS	GENERAL TOLERANCES (UNLESS SPECIFIED)	DIMENSION STYLE	SCALE	DESIGN UNITS	THIRD ANGLE PROJECTION
	$\nabla F=0$ $\nabla E=0$ $\nabla D=0$	mm	MM ONLY	2:1	METRIC	NICHIA LTYPE HOLDER ZHAGA STYLE COVER ASSY  <b>molex</b>
		INCH				
		4 PLACES	DRAWN BY: MCOLE	DATE: 2013/05/29	TITLE	
		3 PLACES	CHECKED BY:	DATE:		
2 PLACES	APPROVED BY: DMCGOWAN	DATE: 2013/11/21				
1 PLACE	MATERIAL NO.	1805800005	DOCUMENT NO.	SD-180580-004	SHEET NO.	2 OF 3
0 PLACE	SIZE	B	THIS DRAWING CONTAINS INFORMATION THAT IS PROPRIETARY TO MOLEX INCORPORATED AND SHOULD NOT BE USED WITHOUT WRITTEN PERMISSION			

10 9 8 7 6 5 4 3 2 1

# ILLUSTRATION OF HOLDER WITH LED ATTACHED



SECTION Z-Z

<b>ENTER DESCRIPTION</b> EC NO: SSL2014-0052 DRAWN: MCOLE 2013/08/21 CHKD: APPR: DMCGOWAN 2013/11/21	<b>QUALITY SYMBOLS</b> ∇/0 ∇/0 ∇/0	<b>GENERAL TOLERANCES (UNLESS SPECIFIED)</b>		<b>DIMENSION STYLE</b> MM ONLY		SCALE 2:1	DESIGN UNITS METRIC	THIRD ANGLE PROJECTION		
		4 PLACES ± --- ± ---	DRAWN BY MCOLE	DATE 2013/05/29	TITLE NICHIA LTYPE HOLDER ZHAGA STYLE COVER ASSY					
		3 PLACES ± --- ± ---	CHECKED BY	DATE						
		2 PLACES ± 0.13 ± ---	APPROVED BY DMCGOWAN		DATE 2013/11/21	<b>molex</b>				
1 PLACE ± 0.25 ± ---	MATERIAL NO. 1805800004		DOCUMENT NO. SD-180580-004	SHEET NO. 3 OF 3						
0 PLACE ± --- ± ---	ANGULAR ± 1/2° DRAFT WHERE APPLICABLE MUST REMAIN WITHIN DIMENSIONS									
SIZE B		THIS DRAWING CONTAINS INFORMATION THAT IS PROPRIETARY TO MOLEX INCORPORATED AND SHOULD NOT BE USED WITHOUT WRITTEN PERMISSION								

9 8 7 6 5 4 3 2 1