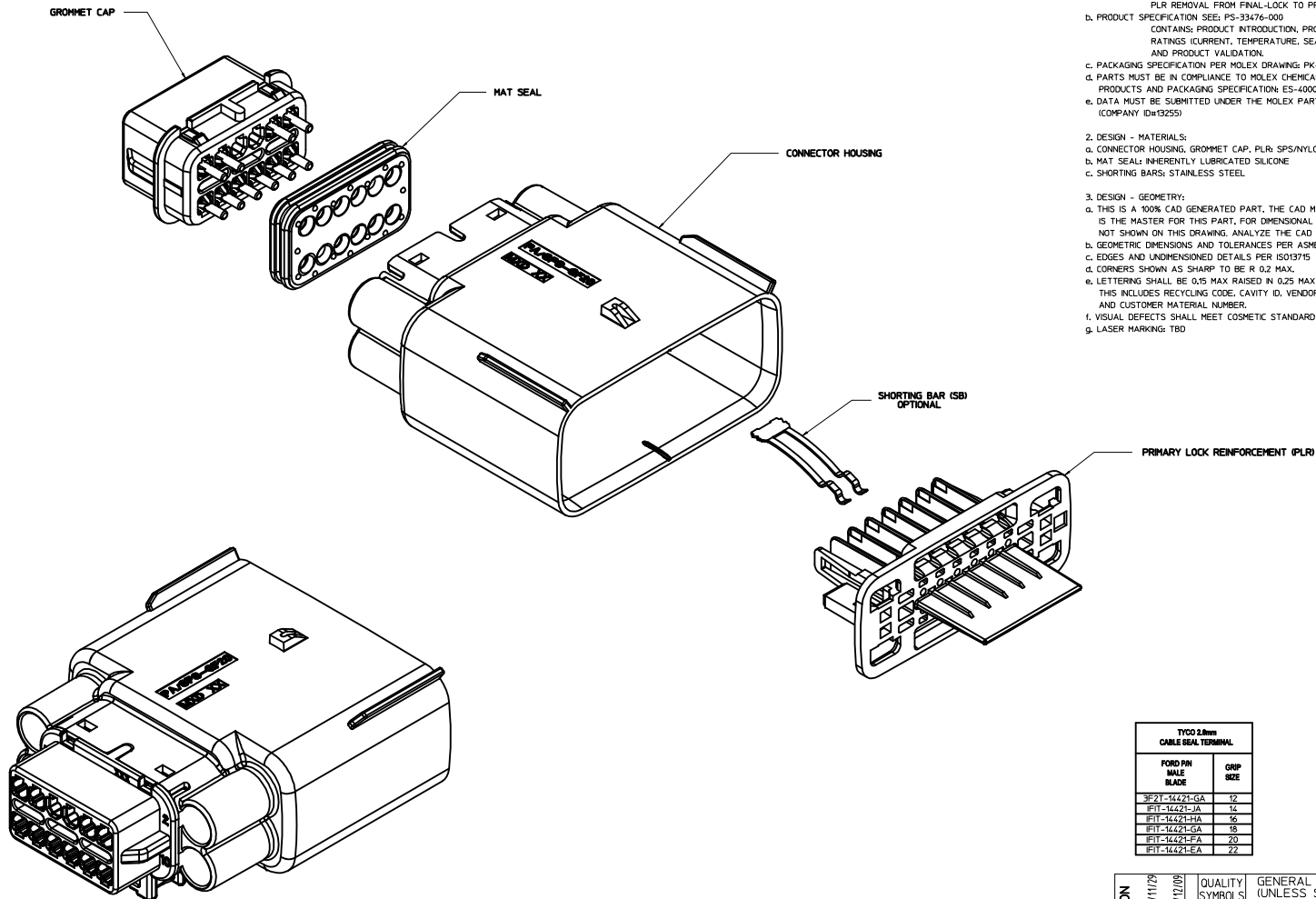


TABLE OF CONTENTS

SHEET NO.	SHEET DESCRIPTION
1	NOTES
2	KEY CONFIGURATIONS
3	BLADE SEALED ASSEMBLY
4	SYSTEM PACKAGING
5-9	BOM

NOTES: VALID UNLESS OTHERWISE SPECIFIED

1. GENERAL:
- a. APPLICATION SPECIFICATION SEE: AS-33472-100
 CONTAINS: PRODUCT INTRODUCTION, PRODUCT SUMMARY, CONNECTOR ASSEMBLY, PACKAGING INFORMATION, CONNECTOR MATING, SERVICE INSTRUCTIONS, ELECTRICAL CONTINUITY CHECKING, CRIMPING, AND TROUBLESHOOTING.
 -DESIGNED TO MATE WITH RECEPTACLE SEALED ASSEMBLY SPECIFIED IN MOLEX DRAWING SD-33476-161 AND SD-33476-161 FOR SHORTING BAR APPLICATIONS RECEPTACLE SEALED ASSEMBLY CONFIGURATION MUST CONTAIN A PLR WITH SHORTING BAR LIFTER.
 -FOR 1.5mm BLADE TERMINALS TO BE USED WITH THE SHORTING BAR CIRCUIT LOCATIONS SEE MOLEX DRAWING SD-31296-001.
 -SHORTING BAR TERMINALS TO BE USED WITH WIRE WITHIN DIAMETER RANGE OF 1.7mm TO 2.06mm.
 -SHORTING BAR TERMINAL CRIMP ANGLE MUST BE BETWEEN -14 DEG. AND +3.5 DEG. AFTER INSTALLATION INTO THE CONNECTOR ASSEMBLY, REFER TO MOLEX DRAWING SD-31296-001 FOR DETAILS.
 -FOR 1.5mm BLADE TERMINALS TO BE USED WITH THE NON-SHORTING BAR CIRCUIT LOCATIONS SEE MOLEX DRAWING SD-33000-004.
 -NON-SHORTING BAR TERMINALS TO BE USED WITH WIRE WITHIN DIAMETER RANGE OF 1.2mm TO 2.69mm.
 -FOR 2.8mm BLADE TERMINALS TO BE USED WITH THIS ASSEMBLY SEE TABLE.
 -2.8mm TERMINALS TO BE USED WITH WIRE WITHIN DIAMETER RANGE OF 1.50mm TO 3.30mm.
 -ASSEMBLY SHIPPED WITH PLR IN PRE-LOCK POSITION
 -IN THE EVENT THAT THE PLR IS FOUND IN THE SEATED (FINAL LOCK) POSITION, REFER TO MOLEX SPECIFICATION PS-34666-001, AVAILABLE AT www.molex.com <<http://www.molex.com>>
 -ASSEMBLY CONFORMS TO SAE/USCAR-2 REV.4 WITH THE FOLLOWING EXCEPTIONS:
 TERMINAL INSERTION FORCE FOR WIRE DIAMETER ABOVE 2.5mm NOT EXCEEDING 2.69mm SHALL NOT EXCEED 45 NEWTONS.
 PLR REMOVAL FROM FINAL-LOCK TO PRE-LOCK SHALL NOT EXCEED 75 NEWTONS.
- b. PRODUCT SPECIFICATION SEE: PS-33476-000
 CONTAINS: PRODUCT INTRODUCTION, PRODUCT SUMMARY, RATINGS (CURRENT, TEMPERATURE, SEALING, AND FLAMMABILITY), AND PRODUCT VALIDATION.
- c. PACKAGING SPECIFICATION PER MOLEX DRAWING: PK-33000-514
- d. PARTS MUST BE IN COMPLIANCE TO MOLEX CHEMICAL SUBSTANCES FOR PRODUCTS AND PACKAGING SPECIFICATION: ES-40000-5016
- e. DATA MUST BE SUBMITTED UNDER THE MOLEX PART NUMBER TO IMDS (COMPANY ID#19255)
2. DESIGN - MATERIALS:
- a. CONNECTOR HOUSING, GROMMET CAP, PLR: SPS/NYLON BLEND 20% GLASS FILLED
 b. MAT SEAL: INHERENTLY LUBRICATED SILICONE
 c. SHORTING BARS: STAINLESS STEEL
3. DESIGN - GEOMETRY:
- a. THIS IS A 100% CAD GENERATED PART, THE CAD MATHEMATICAL DATA IS THE MASTER FOR THIS PART, FOR DIMENSIONAL OR ANY INFORMATION NOT SHOWN ON THIS DRAWING, ANALYZE THE CAD MODEL.
 b. GEOMETRIC DIMENSIONS AND TOLERANCES PER ASME Y14.5M - 1994
 c. EDGES AND UNDIMENSIONED DETAILS PER ISO15715
 d. CORNERS SHOWN AS SHARP TO BE R 0.2 MAX.
 e. LETTERING SHALL BE 0.15 MAX RAISED IN 0.25 MAX RECESS PAD. THIS INCLUDES RECYCLING CODE, CAVITY ID, VENDOR IDENTIFICATION, AND CUSTOMER MATERIAL NUMBER.
 f. VISUAL DEFECTS SHALL MEET COSMETIC STANDARD PS-45499-002 (Class B)
 g. LASER MARKING: TBD



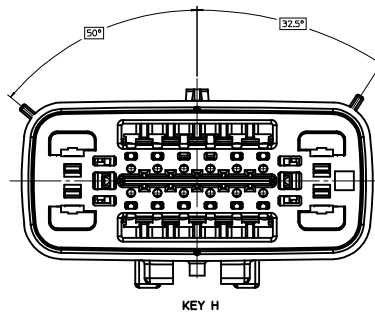
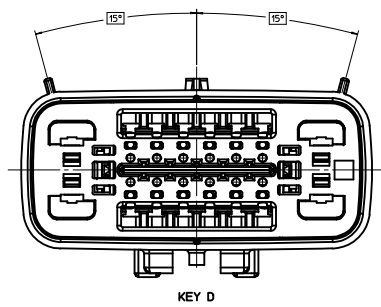
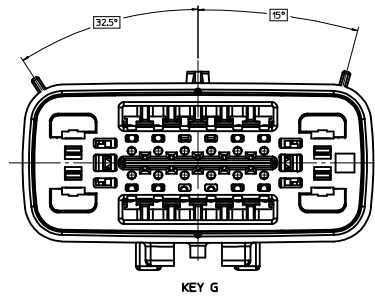
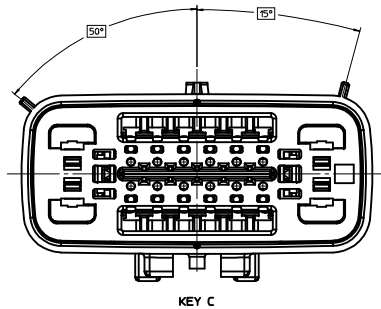
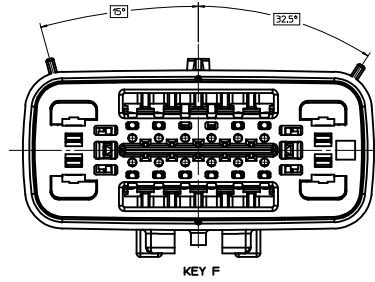
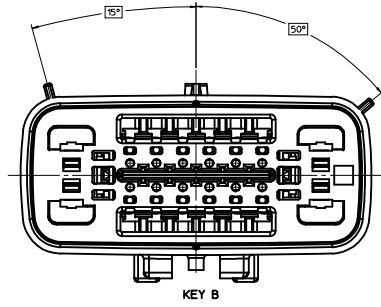
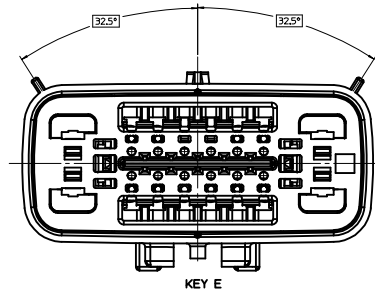
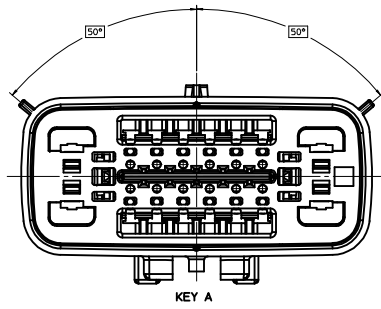
TYCO 2.8mm CABLE SEAL TERMINAL	
FORD PIN MALE BLADE	GRP SIZE
3P21-1421-GA	12
3P11-1421-GA	14
3P11-1421-HA	16
3P11-1421-GA	18
3P11-1421-FA	20
3P11-1421-EA	22

INSPECTION NUMBER LOG
 LAST NUMBER USED:
 REMOVED:
 REV:

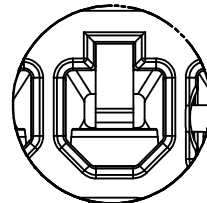
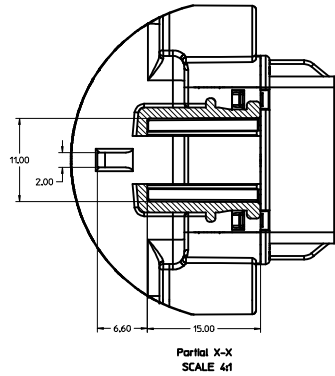
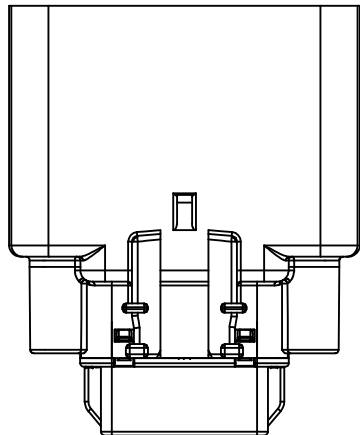
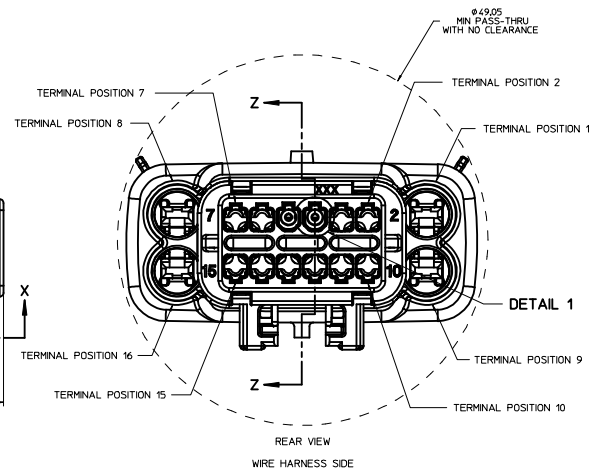
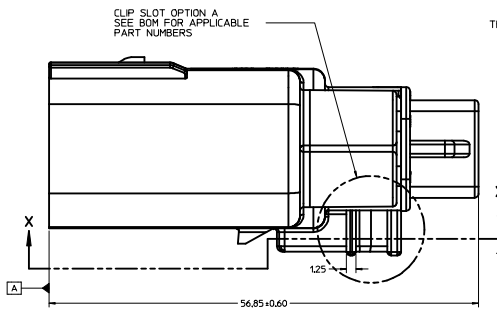
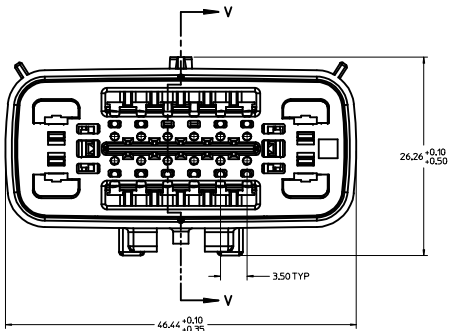
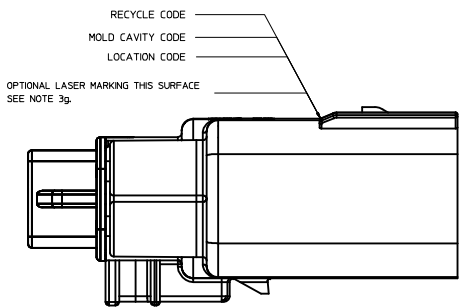
A7	ADDED NEW P/N 34986-2056 34986-2057 34986-2058 34986-2059
A6	ADDED NEW P/N 34986-2054 34986-2055
A5	UPDATED STATUS COLUMN
A4	CHANGE PART NUMBER STATUS
A4	ADDED NEW P/N 34986-2053
A3	ADDED NEW P/N 34986-2047 34986-2048 34986-2049 34986-2050 34986-2051 34986-2052
A2	ADDED NEW P/N 34986-2036 34986-2037 34986-2039 34986-2040 34986-2041 34986-2042 34986-2043 34986-2044 34986-2045 34986-2046
A1	CORRECTED TYPES IN BOM
A	INITIAL RELEASE - REFER TO SD-33486-161 FOR OBSOLETE ASSEMBLIES
REV	DESCRIPTION
SCALE	DESIGN UNITS
4:1	METRIC

ENTER DESCRIPTION EC NO: JAU2014-0882 DRAWN BY: WHITE DATE: 2013/11/29 APPROV: WOSHY DATE: 2013/12/08	QUALITY SYMBOLS	GENERAL TOLERANCES (UNLESS SPECIFIED)	DIMENSION STYLE	
			MM ONLY	DATE
A7	▽=0	4 PLACES ± --- ± ---	DRAWN BY	JWESLEY
	▽=0	3 PLACES ± --- ± ---	CHECKED BY	DGRIFITHS
	▽=0	2 PLACES ± 0.10 ± ---	APPROVED BY	DATE
	▽=0	1 PLACE ± 0.3 ± ---	DATE	2013/05/16
	▽=0	0 PLACE ± ±	MATERIAL NO.	
DRAFT WHERE APPLICABLE MUST REMAIN WITHIN DIMENSIONS			SEE BOM	SD-34986-8001

MX150 16 WAY HYBRID BLADE SEALED ASSEMBLY	
molex	
DOCUMENT NO.	SHEET NO.
SD-34986-8001	1 OF 9
THIS DRAWING CONTAINS INFORMATION THAT IS PROPRIETARY TO MOLEX, INCORPORATED AND SHOULD NOT BE USED WITHOUT WRITTEN PERMISSION	

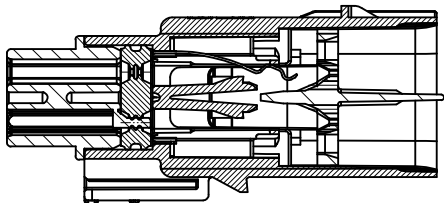


ENTER DESCRIPTION EC NO: UAU2014-0882 DRAWN DATE: 2013/11/29 APPR: WOSHY 2013/12/08 REV:	QUALITY SYMBOLS ▽=0 ▽=0 ▽=0	GENERAL TOLERANCES (UNLESS SPECIFIED) <table border="1"> <thead> <tr> <th></th> <th>mm</th> <th>INCH</th> </tr> </thead> <tbody> <tr> <td>4 PLACES ±</td> <td>---</td> <td>---</td> </tr> <tr> <td>3 PLACES ±</td> <td>---</td> <td>---</td> </tr> <tr> <td>2 PLACES ±</td> <td>0.10</td> <td>---</td> </tr> <tr> <td>1 PLACE ±</td> <td>0.3</td> <td>---</td> </tr> <tr> <td>0 PLACE ±</td> <td>---</td> <td>---</td> </tr> </tbody> </table>		mm	INCH	4 PLACES ±	---	---	3 PLACES ±	---	---	2 PLACES ±	0.10	---	1 PLACE ±	0.3	---	0 PLACE ±	---	---	DIMENSION STYLE MM ONLY	SCALE 4:1	DESIGN UNITS METRIC	THIRD ANGLE PROJECTION
		mm	INCH																					
	4 PLACES ±	---	---																					
	3 PLACES ±	---	---																					
2 PLACES ±	0.10	---																						
1 PLACE ±	0.3	---																						
0 PLACE ±	---	---																						
		DRAWN BY: JWESLEY DATE: 06-16-02	CHECKED BY: DGRIFITHS DATE: 07-09-02	TITLE MX150 16 WAY HYBRID BLADE SEALED ASSEMBLY																				
		APPROVED BY: WKOSHY DATE: 2013/05/16	MATERIAL NO.: SEE BOM	DOCUMENT NO.: SD-34986-8001	SHEET NO.: 2 OF 9																			
DRAFT WHERE APPLICABLE MUST REMAIN WITHIN DIMENSIONS THIS DRAWING CONTAINS INFORMATION THAT IS PROPRIETARY TO MOLEX INCORPORATED AND SHOULD NOT BE USED WITHOUT WRITTEN PERMISSION																								

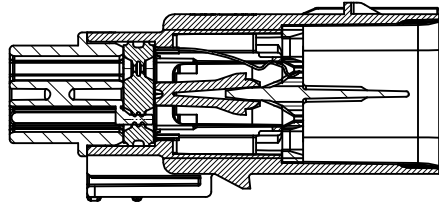


SHORTING BAR (SB) CIRCUITS ARE IDENTIFIED BY THE GROMMET CAP OPENING FEATURE SHOWN ABOVE.

DETAIL 1
SCALE 20:1

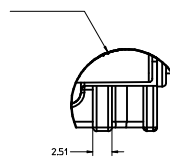


PRIMARY LOCK REINFORCEMENT (PLR) SHOWN IN PRE-STAGED POSITION
SECTION Z-Z



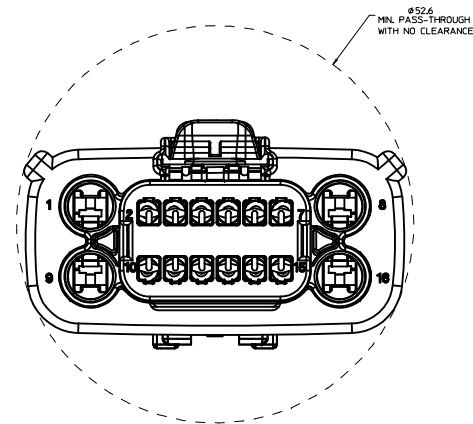
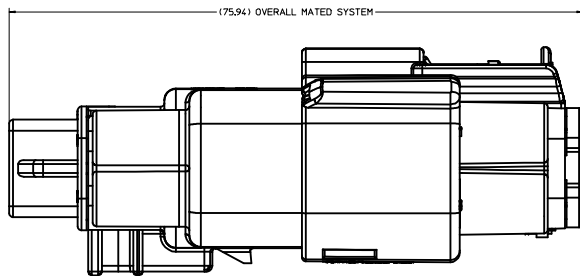
PRIMARY LOCK REINFORCEMENT (PLR) SHOWN IN FINAL-LOCK POSITION
SECTION V-V

CLIP SLOT OPTION B
SEE BOM FOR APPLICABLE PART NUMBERS



Partial 4:1
SCALE 4:1

ENTER DESCRIPTION EC NO. UAU2014-0882 DRAWN BY 2015/11/25 APPROVED BY APPR. WOSNY REV. 2013/02/08	QUALITY SYMBOLS	GENERAL TOLERANCES (UNLESS SPECIFIED)	DIMENSION STYLE	SCALE	DESIGN UNITS	THIRD ANGLE PROJECTION
	▽=0	mm INCH	MM ONLY	4:1	METRIC	⊙
	▽=0	4 PLACES ± --- ± ---	DRAWN BY DATE	JWESLEY 06-16-02	TITLE	MX150 16 WAY HYBRID
	▽=0	3 PLACES ± --- ± ---	CHECKED BY DATE	DGRIFFI THS 07-09-02	BLADE SEALED ASSEMBLY	molex
	2 PLACES ± 0.10 ± ---	APPROVED BY DATE	WKOSHY 2013/05/16	MATERIAL NO.	DOCUMENT NO.	SHEET NO.
	1 PLACE ± 0.3 ± ---			SEE BOM	SD-34986-8001	3 OF 9
	0 PLACE ± ±			DRAFT WHERE APPLICABLE MUST REMAIN WITHIN DIMENSIONS	THIS DRAWING CONTAINS INFORMATION THAT IS PROPRIETARY TO MOLEX INCORPORATED AND SHOULD NOT BE USED WITHOUT WRITTEN PERMISSION	



ENTER DESCRIPTION EC NO: UAU2014-0882 DRAWN DATE: 2013/11/29 DRAWN BY: APPER/WOSHY APPR: WOSHY 2013/12/08 REV:	QUALITY SYMBOLS ∇=0 ∇=0 ∇=0	GENERAL TOLERANCES (UNLESS SPECIFIED) <table border="1"> <thead> <tr> <th></th> <th>mm</th> <th>INCH</th> </tr> </thead> <tbody> <tr> <td>4 PLACES</td> <td>± ---</td> <td>± ---</td> </tr> <tr> <td>3 PLACES</td> <td>± ---</td> <td>± ---</td> </tr> <tr> <td>2 PLACES</td> <td>± 0.10</td> <td>± ---</td> </tr> <tr> <td>1 PLACE</td> <td>± 0.3</td> <td>± ---</td> </tr> <tr> <td>0 PLACE</td> <td>±</td> <td>±</td> </tr> </tbody> </table>		mm	INCH	4 PLACES	± ---	± ---	3 PLACES	± ---	± ---	2 PLACES	± 0.10	± ---	1 PLACE	± 0.3	± ---	0 PLACE	±	±	DIMENSION STYLE MM ONLY	SCALE 4:1	DESIGN UNITS METRIC	THIRD ANGLE PROJECTION
		mm	INCH																					
	4 PLACES	± ---	± ---																					
	3 PLACES	± ---	± ---																					
2 PLACES	± 0.10	± ---																						
1 PLACE	± 0.3	± ---																						
0 PLACE	±	±																						
DRAFT WHERE APPLICABLE MUST REMAIN WITHIN DIMENSIONS	MATERIAL NO. SEE BOM	DRAWN BY JWESLEY DATE 06-16-02	CHECKED BY DGRIFITHS DATE 07-09-02	APPROVED BY WKOSHY DATE 2013/05/16	TITLE MX150 16 WAY HYBRID BLADE SEALED ASSEMBLY	DOCUMENT NO. SD-34986-8001																		
ANGLUAR ± 3 °	THIS DRAWING CONTAINS INFORMATION THAT IS PROPRIETARY TO MOLEX INCORPORATED AND SHOULD NOT BE USED WITHOUT WRITTEN PERMISSION	SHEET NO. 4 OF 9	molex																					
Ib_frame_E_P_AM_T Rev. G 2012/01/11						SHEET NO. 4 OF 9																		

KEY	DESCRIPTION	QTY	1	2	3	4	5	6	7	10	11	12	13	14	15	STATUS	COMMENTS
KEY F, W/ SB, LIGHT GRAY	34986-1764															SALEABLE	
KEY H, W/ SB, YELLOW	34986-1763															SALEABLE	
KEY H, W/ SB, YELLOW	34986-1762															SALEABLE	SAME AS P/N 34986-1704
KEY F, W/ SB, LIGHT GRAY	34986-1761															SALEABLE	
KEY F, W/ SB, BLACK	34986-1760															SALEABLE	
KEY E, W/ SB, BLACK	34986-1759															SALEABLE	
KEY A, BLACK	34986-1758	A														SALEABLE	
KEY A, BLACK	34986-1757	A														SALEABLE	
KEY A, BLACK	34986-1756	A														SALEABLE	
KEY A, BLACK	34986-1755	A														SALEABLE	
KEY A, BLACK	34986-1754	A														SALEABLE	
KEY E, W/ SB, BLACK	34986-1753															SALEABLE	
KEY B, LIGHT GRAY	34986-1752	B														SALEABLE	
KEY B, LIGHT GRAY	34986-1751	B														SALEABLE	
KEY A, BLACK	34986-1750	A														SALEABLE	
KEY A, BLACK	34986-1749	A														SALEABLE	
KEY A, BLACK	34986-1748	A														SALEABLE	
KEY A, BLACK	34986-1747	A														SALEABLE	
KEY A, BLACK	34986-1746	A														SALEABLE	
KEY A, BLACK	34986-1745	A														SALEABLE	
KEY A, BLACK	34986-1744	A														SALEABLE	
KEY A, BLACK	34986-1743	A														SALEABLE	
KEY E, W/ SB, BLACK	34986-1742															SALEABLE	
KEY E, W/ SB, BLACK	34986-1741															SALEABLE	
KEY E, W/ SB, BLACK	34986-1740															SALEABLE	
KEY E, W/ SB, BLACK	34986-1739															SALEABLE	
KEY E, W/ SB, BLACK	34986-1738															SALEABLE	
KEY E, W/ SB, BLACK	34986-1737															SALEABLE	
KEY A, BLACK	34986-1736	A														SALEABLE	
KEY F, W/ SB, LIGHT GRAY	34986-1735															SALEABLE	
KEY F, LIGHT GRAY	34986-1729															SALEABLE	
KEY F, W/ SB, LIGHT GRAY	34986-1728															SALEABLE	
KEY F, W/ SB, LIGHT GRAY	34986-1727															SALEABLE	
KEY F, W/ SB, LIGHT GRAY	34986-1726															SALEABLE	
KEY F, W/ SB, LIGHT GRAY	34986-1725															SALEABLE	
KEY F, W/ SB, LIGHT GRAY	34986-1724															SALEABLE	
KEY F, W/ SB, LIGHT GRAY	34986-1723															SALEABLE	
KEY F, W/ SB, LIGHT GRAY	34986-1722															SALEABLE	
KEY F, W/ SB, LIGHT GRAY	34986-1721															SALEABLE	
KEY A, BLACK	34986-1720	A														SALEABLE	
KEY A, BLACK	34986-1719	A														SALEABLE	
KEY A, BLACK	34986-1718	A														SALEABLE	
KEY A, BLACK	34986-1717	A														SALEABLE	
KEY A, BLACK	34986-1716	A														SALEABLE	
KEY B, LIGHT GRAY	34986-1715	B														SALEABLE	
KEY E, W/ SB, BLACK	34986-1714															SALEABLE	
KEY H, W/ SB, YELLOW	34986-1712															SALEABLE	
KEY H, W/ SB, YELLOW	34986-1710															SALEABLE	
KEY H, W/ SB, YELLOW	34986-1708															SALEABLE	
KEY H, W/ SB, YELLOW	34986-1704															SALEABLE	
KEY G, W/ SB, BROWN	34986-1703															SALEABLE	
KEY F, W/ SB, LIGHT GRAY	34986-1702															SALEABLE	
KEY E, W/ SB, BLACK	34986-1701															SALEABLE	
KEY A, BLACK	34986-1672	A														SALEABLE	
KEY A, BLACK	34986-1671	A														SALEABLE	
KEY A, BLACK	34986-1666	A														SALEABLE	
KEY A, BLACK	34986-1661	A														SALEABLE	
KEY A, BLACK	34986-1656	A														SALEABLE	
KEY A, BLACK	34986-1651	A														SALEABLE	
KEY A, BLACK	34986-1646	A														SALEABLE	
KEY A, BLACK	34986-1641	A														SALEABLE	
KEY A, BLACK	34986-1636	A														SALEABLE	
KEY A, BLACK	34986-1631	A														SALEABLE	
KEY A, BLACK	34986-1626	A														SALEABLE	
KEY A, BLACK	34986-1621	A														SALEABLE	
KEY A, YELLOW	34986-1615	A														SALEABLE	
KEY D, GREEN	34986-1614															NOT RECOMMENDED	
KEY C, BROWN	34986-1613															NOT RECOMMENDED	
KEY B, LIGHT GRAY	34986-1612	B														SALEABLE	
KEY A, BLACK	34986-1611	A														SALEABLE	
KEY A, YELLOW	34986-1610	A														SALEABLE	
KEY D, GREEN	34986-1609															NOT RECOMMENDED	
KEY C, BROWN	34986-1608															NOT RECOMMENDED	
KEY B, LIGHT GRAY	34986-1607	B														SALEABLE	
KEY A, BLACK	34986-1606	A														SALEABLE	
KEY A, YELLOW	34986-1605	A														SALEABLE	
KEY D, GREEN	34986-1604															NOT RECOMMENDED	SEE P/N 34986-1960
KEY C, BROWN	34986-1603															NOT RECOMMENDED	SEE P/N 34986-1959
KEY B, LIGHT GRAY	34986-1602	B														SALEABLE	
KEY A, BLACK	34986-1601	A														SALEABLE	

ABBREVIATION	COMPONENT
A	HOUSING KEY A
B	HOUSING KEY B
C	HOUSING KEY C
D	HOUSING KEY D
E	HOUSING KEY E
F	HOUSING KEY F
G	HOUSING KEY G
H	HOUSING KEY H
GCS	STANDARD GROMMET CAP
SB	SHORTING BAR

BLOCKED TERMINAL
 CAVITY WITH AN 'X' INDICATES BLOCKED TERMINAL POSITION
 CAVITY WITHOUT AN 'X' INDICATES OPEN TERMINAL POSITION
 CAVITY WITH AN 'SB' INDICATES SHORTING BAR CAVITY

PLR	NATURAL	SPS/NYLON GF20
MAT SEAL	RUST RED	INHERENTLY LUBRICATED SILICONE
SHORTING BAR	GOLD PL	30100 STAINLESS STEEL
SHORTING BAR GROMMET CAP 5	BLACK	SPS/NYLON GF20
SHORTING BAR GROMMET CAP 4	BLACK	SPS/NYLON GF20
SHORTING BAR GROMMET CAP 3	BLACK	SPS/NYLON GF20
SHORTING BAR GROMMET CAP 2	BLACK	SPS/NYLON GF20
SHORTING BAR GROMMET CAP 1	BLACK	SPS/NYLON GF20
STANDARD GROMMET CAP	BLACK	SPS/NYLON GF20
HOUSING KEYING OPTION D	ST GRAY	SPS/NYLON GF20
HOUSING KEYING OPTION C	DARK GRAY	SPS/NYLON GF20
HOUSING KEYING OPTION A	YELLOW	SPS/NYLON GF20
HOUSING KEYING OPTION H	YELLOW	SPS/NYLON GF20
HOUSING KEYING OPTION G	BROWN	SPS/NYLON GF20
HOUSING KEYING OPTION F	LIGHT GRAY	SPS/NYLON GF20
HOUSING KEYING OPTION E	BLACK	SPS/NYLON GF20
HOUSING KEYING OPTION D	GREEN	SPS/NYLON GF20
HOUSING KEYING OPTION C	BROWN	SPS/NYLON GF20
HOUSING KEYING OPTION B	LIGHT GRAY	SPS/NYLON GF20
HOUSING KEYING OPTION A	BLACK	SPS/NYLON GF20

ENTER DESCRIPTION EC NO: 0A0204-0882 DRAWN BY: JMWESLEY DATE: 2013/11/29 APPROVED BY: DGRIFITHS DATE: 2013/12/08 REV: A7	QUALITY SYMBOLS 0 1 2	GENERAL TOLERANCES (UNLESS SPECIFIED) mm INCH 4 PLACES +--- ±--- 3 PLACES +--- ±--- 2 PLACES +0.10 ±--- 1 PLACE ±0.3 ±--- 0 PLACE ± ±	DIMENSION STYLE MM ONLY DRAWN BY: JMWESLEY DATE: 06-16-02 CHECKED BY: DATE DGRIFITHS 07-09-02 APPROVED BY: DATE VKOSHY 2013/05/16	SCALE 2:1 DESIGN UNITS METRIC THIRD ANGLE PROJECTION	DOCUMENT NO. SD-34986-8001 SHEET NO. 5 OF 9
	THIS DRAWING CONTAINS INFORMATION THAT IS PROPRIETARY TO MOLEX INCORPORATED AND SHOULD NOT BE USED WITHOUT WRITTEN PERMISSION				
	DRAFT WHERE APPLICABLE MUST REMAIN WITHIN DIMENSIONS				
	ANGLUAR ± 3°				

ASSEMBLY DESCRIPTION	ASSEMBLY PART NUMBER	A	B	C	D	E	F	G	H	A	C	D	GCS	SB1	SB2	SB3	SB4	SB5	SB	1	2	3	4	5	6	7	8	9	10	11	12	13	14	15	STATUS	COMMENTS
KEY A, BLACK	34986-1845	A											GCS																					SALEABLE		
KEY A, BLACK	34986-1844	A											GCS																						SALEABLE	
KEY A, BLACK	34986-1843	A											GCS																						SALEABLE	
KEY A, BLACK	34986-1842	A											GCS																						SALEABLE	
KEY A, BLACK	34986-1841	A											GCS																						SALEABLE	
KEY H, W/ SB, YELLOW	34986-1840	A											GCS																						SALEABLE	
KEY E, BLACK	34986-1839	A											GCS																						SALEABLE	
KEY E, BLACK	34986-1838	A											GCS																						SALEABLE	
KEY A, BLACK	34986-1837	A											GCS																						SALEABLE	
KEY B, LIGHT GRAY	34986-1836	A											GCS																						SALEABLE	
KEY B, LIGHT GRAY	34986-1835	A											GCS																						SALEABLE	
KEY B, LIGHT GRAY	34986-1834	A											GCS																						SALEABLE	
KEY A, BLACK	34986-1833	A											GCS																						SALEABLE	
KEY A, BLACK	34986-1832	A											GCS																						SALEABLE	
KEY E, W/ SB, BLACK	34986-1831	A											GCS																						SALEABLE	
KEY A, BLACK	34986-1830	A											GCS																						SALEABLE	
KEY A, BLACK	34986-1829	A											GCS																						SALEABLE	
KEY A, BLACK	34986-1828	A											GCS																						SALEABLE	
KEY A, BLACK	34986-1827	A											GCS																						SALEABLE	
KEY A, BLACK	34986-1826	A											GCS																						SALEABLE	
KEY A, BLACK	34986-1825	A											GCS																						SALEABLE	
KEY E, W/ SB, BLACK	34986-1824	A											GCS																						SALEABLE	
KEY A, BLACK	34986-1823	A											GCS																						SALEABLE	
KEY A, BLACK	34986-1822	A											GCS																						SALEABLE	
KEY A, BLACK	34986-1821	A											GCS																						SALEABLE	
KEY A, BLACK	34986-1820	A											GCS																						SALEABLE	
KEY A, BLACK	34986-1819	A											GCS																						SALEABLE	
KEY A, BLACK	34986-1818	A											GCS																						SALEABLE	
KEY A, BLACK	34986-1817	A											GCS																						SALEABLE	
KEY A, BLACK	34986-1816	A											GCS																						SALEABLE	
KEY A, BLACK	34986-1815	A											GCS																						SALEABLE	
KEY A, BLACK	34986-1814	A											GCS																						SALEABLE	
KEY A, BLACK	34986-1813	A											GCS																						SALEABLE	
KEY A, BLACK	34986-1812	A											GCS																						SALEABLE	
KEY B, LIGHT GRAY	34986-1811	A											GCS																						SALEABLE	
KEY B, LIGHT GRAY	34986-1810	A											GCS																						SALEABLE	
KEY B, LIGHT GRAY	34986-1809	A											GCS																						SALEABLE	
KEY A, YELLOW	34986-1808	A											GCS																						SALEABLE	
KEY A, BLACK	34986-1807	A											GCS																						SALEABLE	
KEY A, BLACK	34986-1806	A											GCS																						SALEABLE	
KEY A, BLACK	34986-1805	A											GCS																						SALEABLE	
KEY A, BLACK	34986-1804	A											GCS																						SALEABLE	
KEY A, BLACK	34986-1803	A											GCS																						SALEABLE	
KEY A, BLACK	34986-1802	A											GCS																						SALEABLE	
KEY A, BLACK	34986-1801	A											GCS																						SALEABLE	
KEY A, BLACK	34986-1799	A											GCS																						SALEABLE	
KEY A, BLACK	34986-1798	A											GCS																						SALEABLE	
KEY A, BLACK	34986-1797	A											GCS																						SALEABLE	
KEY A, BLACK	34986-1796	A											GCS																						SALEABLE	
KEY A, BLACK	34986-1795	A											GCS																						SALEABLE	
KEY A, BLACK	34986-1794	A											GCS																						SALEABLE	
KEY A, BLACK	34986-1793	A											GCS																						SALEABLE	
KEY A, BLACK	34986-1792	A											GCS																						SALEABLE	
KEY A, BLACK	34986-1791	A											GCS																						SALEABLE	
KEY A, BLACK	34986-1790	A											GCS																						SALEABLE	
KEY A, BLACK	34986-1789	A											GCS																						SALEABLE	
KEY A, BLACK	34986-1788	A											GCS																						SALEABLE	
KEY A, BLACK	34986-1787	A											GCS																						SALEABLE	
KEY A, BLACK	34986-1786	A											GCS																						SALEABLE	
KEY A, BLACK	34986-1785	A											GCS																						SALEABLE	
KEY A, BLACK	34986-1784	A											GCS																						SALEABLE	
KEY A, BLACK	34986-1783	A											GCS																						SALEABLE	
KEY E, W/ SB, BLACK	34986-1782	A											GCS																						SALEABLE	
KEY A, BLACK	34986-1781	A											GCS																						SALEABLE	
KEY A, BLACK	34986-1780	A											GCS																						SALEABLE	
KEY A, BLACK	34986-1779	A											GCS																						SALEABLE	
KEY A, BLACK	34986-1778	A											GCS																						SALEABLE	
KEY A, BLACK	34986-1777	A											GCS																						SALEABLE	
KEY A, BLACK	34986-1776	A																																		

ASSEMBLY DESCRIPTION	ASSEMBLY PART NUMBER	A	B	C	D	E	F	G	H	A	C	D	GCS	SB1	SB2	SB3	SB4	SB5	SB	QTY	STATUS	COMMENTS		
KEY B, LIGHT GRAY	34986-1929		B										GCS									SALEABLE		
KEY B, LIGHT GRAY	34986-1928		B										GCS			X	X	X	X	X	X	X	SALEABLE	
KEY A, BLACK	34986-1927		A										GCS			X							SALEABLE	
KEY A, BLACK	34986-1926		A										GCS			X	X	X	X	X	X	X	SALEABLE	
KEY A, BLACK	34986-1925		A										GCS			X	X	X	X	X	X	X	SALEABLE	
KEY A, BLACK	34986-1924		A										GCS			X	X	X	X	X	X	X	SALEABLE	
KEY A, BLACK	34986-1923		A										GCS			X	X	X	X	X	X	X	SALEABLE	
KEY A, BLACK	34986-1922		A										GCS			X							SALEABLE	
KEY A, BLACK	34986-1921		A										GCS			X	X	X	X	X	X	X	SALEABLE	
KEY A, BLACK	34986-1920		A										GCS			X	X	X	X	X	X	X	SALEABLE	
KEY A, BLACK	34986-1919		A										GCS			X	X	X	X	X	X	X	SALEABLE	
KEY A, BLACK	34986-1918		A										GCS			X	X	X	X	X	X	X	SALEABLE	
KEY A, BLACK	34986-1917		A										GCS			X	X	X	X	X	X	X	SALEABLE	
KEY A, BLACK	34986-1916		A										GCS			X							SALEABLE	
KEY A, BLACK	34986-1915		A										GCS			X	X	X	X	X	X	X	SALEABLE	
KEY A, BLACK	34986-1914		A										GCS			X	X	X	X	X	X	X	SALEABLE	
KEY A, BLACK	34986-1913		A										GCS			X	X	X	X	X	X	X	SALEABLE	
KEY A, BLACK	34986-1912		A										GCS			X	X	X	X	X	X	X	SALEABLE	
KEY B, LIGHT GRAY	34986-1911		B										GCS			X	X	X	X	X	X	X	SALEABLE	
KEY A, BLACK	34986-1910		A										GCS			X	X	X	X	X	X	X	SALEABLE	
KEY A, BLACK	34986-1909		A										GCS			X	X	X	X	X	X	X	SALEABLE	
KEY A, BLACK	34986-1908		A										GCS			X	X	X	X	X	X	X	SALEABLE	
KEY A, YELLOW	34986-1907		A										GCS			X	X						SALEABLE	
KEY A, BLACK	34986-1906		A										GCS			X							SALEABLE	
KEY A, BLACK	34986-1905		A										GCS			X	X						SALEABLE	
KEY A, BLACK	34986-1904		A										GCS			X	X						SALEABLE	
KEY A, BLACK	34986-1903		A										GCS			X	X	X	X	X	X	X	SALEABLE	
KEY A, BLACK	34986-1902		A										GCS			X	X						SALEABLE	
KEY A, BLACK	34986-1901		A										GCS			X							SALEABLE	
KEY A, BLACK	34986-1900		A										GCS			X	X						SALEABLE	
KEY A, BLACK	34986-1895		A										GCS			X	X	X	X	X	X	X	SALEABLE	
KEY A, BLACK	34986-1894		A										GCS			X	X	X	X	X	X	X	SALEABLE	
KEY A, BLACK	34986-1893		A										GCS			X	X	X	X	X	X	X	SALEABLE	
KEY A, BLACK	34986-1892		A										GCS			X	X	X	X	X	X	X	SALEABLE	
KEY A, BLACK	34986-1891		A										GCS			X							SALEABLE	
KEY A, BLACK	34986-1890		A										GCS			X	X	X	X	X	X	X	SALEABLE	
KEY A, BLACK	34986-1889		A										GCS			X	X	X	X	X	X	X	SALEABLE	
KEY A, BLACK	34986-1888		A										GCS			X	X	X	X	X	X	X	SALEABLE	
KEY A, BLACK	34986-1887		A										GCS			X	X	X	X	X	X	X	SALEABLE	
KEY A, BLACK	34986-1886		A										GCS			X	X	X	X	X	X	X	SALEABLE	
KEY H, W/ S.B. YELLOW	34986-1885		H										SB2		1	X	X	SB	X	X	X	X	SALEABLE	
KEY H, W/ S.B. YELLOW	34986-1884		H										SB2		1	X	X	SB	SB				SALEABLE	
KEY A, BLACK	34986-1883		A										GCS			X							SALEABLE	
KEY B, LIGHT GRAY	34986-1882		B										GCS			X	X	X	X	X	X	X	SALEABLE	
KEY H, W/ S.B. YELLOW	34986-1881		H										SB2		1	X	X	SB	SB				SALEABLE	
KEY H, W/ S.B. YELLOW	34986-1880		H										SB2		1	X	X	SB	SB				SALEABLE	
KEY H, W/ S.B. YELLOW	34986-1879		H										SB2		1	X	X	SB	SB				SALEABLE	
KEY H, W/ S.B. YELLOW	34986-1878		H										SB2		1	X	X	SB	SB				SALEABLE	
KEY H, W/ S.B. YELLOW	34986-1877		H										SB2		1	X	X	SB	SB				SALEABLE	
KEY H, W/ S.B. YELLOW	34986-1876		H										SB2		1	X	X	SB	SB				SALEABLE	
KEY H, W/ S.B. YELLOW	34986-1875		H										SB2		1	X	X	SB	SB				SALEABLE	
KEY H, W/ S.B. YELLOW	34986-1874		H										SB2		1	X	X	SB	SB				SALEABLE	
KEY H, W/ S.B. YELLOW	34986-1873		H										SB2		1	X	X	SB	SB				SALEABLE	
KEY A, BLACK	34986-1872		A										GCS			X	X	X	X	X	X	X	SALEABLE	
KEY E, W/ S.B. BLACK	34986-1871		E										SB1		2	X	X	SB	SB	X	X	X	SALEABLE	
KEY A, BLACK	34986-1870		A										GCS			X	X	X	X	X	X	X	SALEABLE	
KEY A, BLACK	34986-1869		A										GCS			X	X	X	X	X	X	X	SALEABLE	
KEY A, BLACK	34986-1868		A										GCS			X	X	X	X	X	X	X	SALEABLE	
KEY A, BLACK	34986-1867		A										GCS			X	X	X	X	X	X	X	SALEABLE	
KEY A, BLACK	34986-1866		A										GCS			X	X	X	X	X	X	X	SALEABLE	
KEY A, BLACK	34986-1865		A										GCS			X	X	X	X	X	X	X	SALEABLE	
KEY A, BLACK	34986-1864		A										GCS			X	X	X	X	X	X	X	SALEABLE	
KEY A, BLACK	34986-1863		A										GCS			X	X	X	X	X	X	X	SALEABLE	
KEY A, BLACK	34986-1862		A										GCS			X	X	X	X	X	X	X	SALEABLE	
KEY A, BLACK	34986-1861		A										GCS			X	X	X	X	X	X	X	SALEABLE	
KEY A, BLACK	34986-1860		A										GCS			X	X	X	X	X	X	X	SALEABLE	
KEY A, BLACK	34986-1859		A										GCS			X	X	X	X	X	X	X	SALEABLE	
KEY A, BLACK	34986-1858		A										GCS			X	X	X	X	X	X	X	SALEABLE	
KEY A, BLACK	34986-1857		A										GCS			X	X	X	X	X	X	X	SALEABLE	
KEY A, BLACK	34986-1856		A										GCS			X	X	X	X	X	X	X	SALEABLE	
KEY A, BLACK	34986-1855		A										GCS			X	X	X	X	X	X	X	SALEABLE	
KEY A, BLACK	34986-1854		A										GCS			X	X	X	X	X	X	X	SALEABLE	
KEY A, BLACK	34986-1853		A										GCS			X	X	X	X	X	X	X	SALEABLE	
KEY A, BLACK	34986-1852		A										GCS			X	X	X	X	X	X	X	SALEABLE	
KEY A, BLACK	34986-1851		A										GCS			X	X	X	X	X	X	X	SALEABLE	
KEY A, BLACK	34986-1850		A										GCS			X	X	X	X	X	X	X	SALEABLE	
KEY A, BLACK	34986-1849		A										GCS			X	X	X	X	X	X	X	SALEABLE	
KEY A, BLACK	34986-1848		A										GCS			X	X	X	X	X	X	X	SALEABLE	
KEY A, BLACK	34986-1847		A										GCS			X	X	X	X	X	X	X	SALEABLE	
KEY A, BLACK	34986-1846		A										GCS			X	X	X	X	X	X	X	SALEABLE	

BLOCKED TERMINAL
 CAVITY WITH AN 'X' INDICATES BLOCKED TERMINAL POSITION
 CAVITY WITHOUT AN 'X' INDICATES OPEN TERMINAL POSITION
 CAVITY WITH AN 'SB' INDICATES SHORTING BAR CAVITY

PLR	NATURAL	SPS/NYLON GF20
MAT SEAL	RUST RED	INHERENTLY LUBRICATED SILICONE
SHORTING BAR	GOLD PL	30100 STAINLESS STEEL
SHORTING BAR GROMMET CAP 5	BLACK	SPS/NYLON GF20
SHORTING BAR GROMMET CAP 4	BLACK	SPS/NYLON GF20
SHORTING BAR GROMMET CAP 3	BLACK	SPS/NYLON GF20
SHORTING BAR GROMMET CAP 2	BLACK	SPS/NYLON GF20
SHORTING BAR GROMMET CAP 1	BLACK	SPS/NYLON GF20
STANDARD GROMMET CAP	BLACK	SPS/NYLON GF20
HOUSING KEYING OPTION D	ST GRAY	SPS/NYLON GF20
HOUSING KEYING OPTION C	DARK GRAY	SPS/NYLON GF20
HOUSING KEYING OPTION A	YELLOW	SPS/NYLON GF20
HOUSING KEYING OPTION H	YELLOW	SPS/NYLON GF20
HOUSING KEYING OPTION G	BROWN	SPS/NYLON GF20
HOUSING KEYING OPTION F	LIGHT GRAY	SPS/NYLON GF20
HOUSING KEYING OPTION E	BLACK	SPS/NYLON GF20
HOUSING KEYING OPTION D	GREEN	SPS/NYLON GF20
HOUSING KEYING OPTION C	BROWN	SPS/NYLON GF20
HOUSING KEYING OPTION B	LIGHT GRAY	SPS/NYLON GF20
HOUSING KEYING OPTION A	BLACK	SPS/NYLON GF20
DESCRIPTION	COLOR	MATERIAL

BOB/APPLICABLE COMPONENTS TABLE

ABBREVIATION	COMPONENT
A	HOUSING KEY A
B	HOUSING KEY B
C	HOUSING KEY C
D	HOUSING KEY D
E	HOUSING KEY E
F	HOUSING KEY F
G	HOUSING KEY G
H	HOUSING KEY H
GCS	STANDARD GROMMET CAP
SB	SHORTING BAR

ENTER DESCRIPTION EC NO: UAU20
--

ASSEMBLY DESCRIPTION	ASSEMBLY PART NUMBER	A	B	C	D	E	F	G	H	A	C	D	GCS	SB1	SB2	SB3	SB4	SB5	SB	QTY	STATUS	COMMENTS				
KEY A, BLACK	34986-2009	A											GCS									SALEABLE				
KEY A, BLACK	34986-2008	A											GCS										SALEABLE			
KEY A, BLACK	34986-2007	A											GCS										SALEABLE			
KEY A, BLACK	34986-2006	A											GCS										SALEABLE			
KEY A, BLACK	34986-2005	A											GCS										SALEABLE			
KEY A, BLACK	34986-2004	A											GCS										SALEABLE			
KEY A, BLACK	34986-2003	A											GCS										SALEABLE			
KEY A, BLACK	34986-2002	A											GCS										SALEABLE			
KEY A, BLACK	34986-2001	A											GCS										SALEABLE			
KEY A, BLACK	34986-2000	A											GCS										SALEABLE			
KEY A, BLACK	34986-1999	A											GCS										SALEABLE			
KEY A, BLACK	34986-1998	A											GCS										SALEABLE			
KEY A, BLACK	34986-1997	A											GCS										SALEABLE			
KEY A, BLACK	34986-1996	A											GCS										SALEABLE			
KEY A, BLACK	34986-1995	A											GCS										SALEABLE			
KEY A, BLACK	34986-1994	A											GCS										SALEABLE			
KEY A, BLACK	34986-1993	A											GCS										SALEABLE			
KEY A, BLACK	34986-1992	A											GCS										SALEABLE			
KEY A, BLACK	34986-1991	A											GCS										SALEABLE			
KEY A, BLACK	34986-1990	A											GCS										SALEABLE			
KEY A, BLACK	34986-1989	A											GCS										SALEABLE			
KEY A, BLACK	34986-1988	A											GCS										SALEABLE			
KEY A, BLACK	34986-1987	A											GCS										SALEABLE			
KEY A, BLACK	34986-1986	A											GCS										SALEABLE			
KEY A, BLACK	34986-1985	A											GCS										SALEABLE			
KEY A, BLACK	34986-1984	A											GCS										SALEABLE			
KEY A, BLACK	34986-1983	A											GCS										SALEABLE			
KEY A, BLACK	34986-1982	A											GCS										SALEABLE			
KEY A, BLACK	34986-1981	A											GCS										SALEABLE			
KEY A, BLACK	34986-1980	A											GCS										SALEABLE			
KEY A, BLACK	34986-1979	A											GCS										SALEABLE			
KEY A, BLACK	34986-1978	A											GCS										SALEABLE			
KEY A, BLACK	34986-1977	A											GCS										SALEABLE			
KEY A, BLACK	34986-1976	A											GCS										SALEABLE			
KEY E, BLACK	34986-1975	A				E							GCS										SALEABLE			
KEY A, BLACK	34986-1974	A											GCS										SALEABLE			
KEY A, BLACK	34986-1973	A											GCS										SALEABLE			
KEY A, BLACK	34986-1972	A											GCS										SALEABLE			
KEY A, BLACK	34986-1971	A											GCS										SALEABLE			
KEY A, BLACK	34986-1970	A											GCS										SALEABLE			
KEY A, BLACK	34986-1969	A											GCS										SALEABLE			
KEY B, LIGHT GRAY	34986-1968	A				B							GCS										SALEABLE			
KEY A, BLACK	34986-1967	A											GCS										SALEABLE			
KEY A, BLACK	34986-1966	A											GCS										SALEABLE			
KEY A, BLACK	34986-1965	A											GCS										SALEABLE			
KEY F, W/ SB, LIGHT GRAY	34986-1964	A				F							SB1	2						SB	SB	X	X	SALEABLE		
KEY F, W/ SB, LIGHT GRAY	34986-1963	A				F							SB1	2	X	X	SB	SB	X	X	SB	SB	X	X	SALEABLE	
KEY F, LIGHT GRAY	34986-1962	A				F							GCS												SALEABLE	
KEY A, YELLOW	34986-1961	A											GCS												SALEABLE	
KEY D, STONE GRAY	34986-1960	A											D	GCS											SALEABLE	
KEY C, DARK GRAY	34986-1959	A											C	GCS											SALEABLE	
KEY A, BLACK	34986-1958	A											GCS												SALEABLE	
KEY A, BLACK	34986-1957	A											GCS												SALEABLE	
KEY A, BLACK	34986-1956	A											GCS												SALEABLE	
KEY A, BLACK	34986-1955	A											GCS												SALEABLE	
KEY H, W/ SB, YELLOW	34986-1954	A											SB1	2	X	X	SB	SB			SB	SB	X	X	SALEABLE	
KEY A, BLACK	34986-1953	A											GCS												SALEABLE	
KEY A, BLACK	34986-1952	A											GCS												SALEABLE	
KEY A, BLACK	34986-1951	A											GCS												SALEABLE	
KEY A, BLACK	34986-1950	A											GCS												SALEABLE	
KEY B, LIGHT GRAY	34986-1949	A				B							GCS												SALEABLE	
KEY A, BLACK	34986-1948	A											GCS												SALEABLE	
KEY A, BLACK	34986-1947	A											GCS												SALEABLE	
KEY A, BLACK	34986-1946	A											GCS												SALEABLE	
KEY A, BLACK	34986-1945	A											GCS												SALEABLE	
KEY B, LIGHT GRAY	34986-1944	A				B							GCS												SALEABLE	
KEY A, BLACK	34986-1943	A											GCS												SALEABLE	
KEY A, BLACK	34986-1942	A											GCS												SALEABLE	
KEY A, BLACK	34986-1941	A											GCS												SALEABLE	
KEY A, BLACK	34986-1940	A											GCS												SALEABLE	
KEY A, BLACK	34986-1939	A											GCS												SALEABLE	
KEY A, BLACK	34986-1938	A											GCS												SALEABLE	
KEY A, BLACK	34986-1937	A											GCS												SALEABLE	
KEY A, BLACK	34986-1936	A											GCS												SALEABLE	
KEY A, BLACK	34986-1935	A											GCS												SALEABLE	
KEY A, BLACK	34986-1934	A											GCS												SALEABLE	
KEY A, BLACK	34986-1933	A											GCS												SALEABLE	
KEY A, BLACK	34986-1932	A											GCS												SALEABLE	
KEY A, BLACK	34986-1931	A											GCS												SALEABLE	
KEY A, BLACK	34986-1930	A											GCS												SALEABLE	

BLOCKED TERMINAL
 CAVITY WITH AN 'X' INDICATES BLOCKED TERMINAL POSITION
 CAVITY WITHOUT AN 'X' INDICATES OPEN TERMINAL POSITION
 CAVITY WITH AN 'SB' INDICATES SHORTING BAR CAVITY

PLR	NATURAL	SPS/NYLON GF20
MAT SEAL	RUST RED	INHERENTLY LUBRICATED SILICONE
SHORTING BAR	GOLD PL	30100 STAINLESS STEEL
SHORTING BAR GROMMET CAP 5	BLACK	SPS/NYLON GF20
SHORTING BAR GROMMET CAP 4	BLACK	SPS/NYLON GF20
SHORTING BAR GROMMET CAP 3	BLACK	SPS/NYLON GF20
SHORTING BAR GROMMET CAP 2	BLACK	SPS/NYLON GF20
SHORTING BAR GROMMET CAP 1	BLACK	SPS/NYLON GF20
STANDARD GROMMET CAP	BLACK	SPS/NYLON GF20
HOUSING KEYING OPTION D	ST GRAY	SPS/NYLON GF20
HOUSING KEYING OPTION C	DARK GRAY	SPS/NYLON GF20
HOUSING KEYING OPTION A	YELLOW	SPS/NYLON GF20
HOUSING KEYING OPTION H	YELLOW	SPS/NYLON GF20
HOUSING KEYING OPTION G	BROWN	SPS/NYLON GF20
HOUSING KEYING OPTION F	LIGHT GRAY	SPS/NYLON GF20
HOUSING KEYING OPTION E	BLACK	SPS/NYLON GF20
HOUSING KEYING OPTION D	GREEN	SPS/NYLON GF20
HOUSING KEYING OPTION C	BROWN	SPS/NYLON GF20
HOUSING KEYING OPTION B	LIGHT GRAY	SPS/NYLON GF20
HOUSING KEYING OPTION A	BLACK	SPS/NYLON GF20
DESCRIPTION	COLOR	MATERIAL

ABBREVIATION	COMPONENT
A	HOUSING KEY A
B	HOUSING KEY B
C	HOUSING KEY C
D	HOUSING KEY D
E	HOUSING KEY E
F	HOUSING KEY F
G	HOUSING KEY G
H	HOUSING KEY H
GCS	STANDARD GROMMET CAP
SB	SHORTING BAR

ENTER DESCRIPTION EC NO: UAU2016-0882 DRAWN BY: 2015/11/25 APPR: WJWSHY 2018/12/08 REV:	QUALITY SYMBOLS 0 1 2	GENERAL TOLERANCES (UNLESS SPECIFIED) mm INCH 4 PLACES +--- ±--- 3 PLACES +--- ±--- 2 PLACES ±0.10 ±--- 1 PLACE ±0.3 ±---<
---	--------------------------------	---

