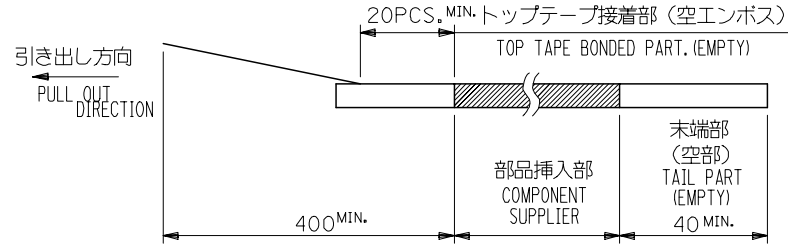
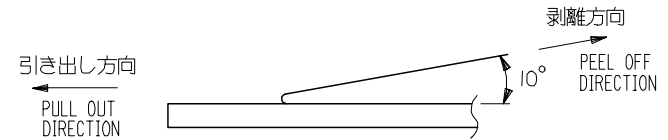


注記 NOTES

- 製品詳細寸法については図面 SD-52892-040 を参照下さい。
RE DETAILED DIMENSION, SEE SD-52892-040
- 梱包数量：1000個/リール
NUMBER OF CONNECTORS：1000PCS/REEL
- リードテープ長さ LEAD TAPE LENGTH



- トップテープの剥離強度： 0.1N ~ 1.3N(10 ~ 130gf)
(剥離方向は下図参照)
尚、本規格値は出荷時に適用。(但し、輸送時に剥離が発生しないこと。)
PEELING OFF FORCE OF TOP TAPE：0.1N ~ 1.3N(10 ~ 130gf)
(PEELING DIRECTION AS SHOWN IN FOLLOWING FIG.)
THIS REQUIREMENT SHOULD BE APPLIED AT SHIPMENT.
PEEL OFF SHOULD NOT BE ALLOWED, DURING TRANSPORTATION.

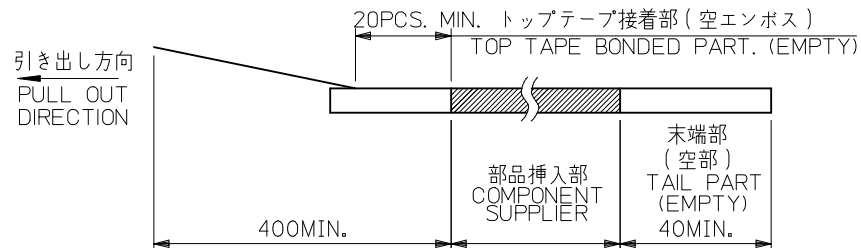
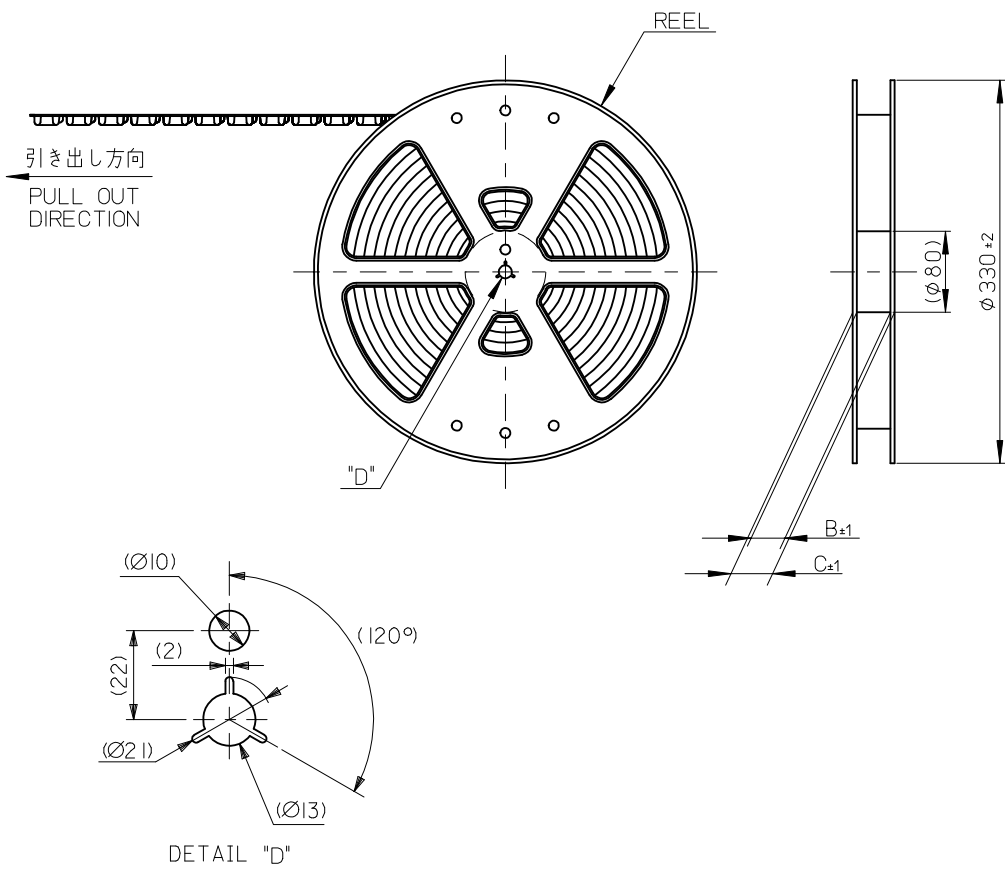


- 材料(MATERIAL)
キャリアテープ(CARRIER TAPE)：ポリプロピレン(POLYPROPYLENE)
トップテープ(TOPTAPE)：PET, PE, PEF
リール(REEL)：ポリスチレン(PS) <リサイクル材を含む>
POLYSTYRENE(PS) <RECYCLE MATERIAL CONTAINED>
- 本製品は52892-**-90の鉛フリー品である。
THIS PRODUCT IS LEAD FREE OF 52892-**-90

REVISED EC NO: J2005-1026 DRWN: SASAMOR 2004/10/06 CHKD: TOJO 2004/10/07 APPR: NUKITA 2004/10/12	GENERAL TOLERANCES (UNLESS SPECIFIED)		DIMENSION STYLE MM ONLY		SCALE ---	DESIGN UNITS METRIC	THIRD ANGLE PROJECTION
	10 UNDER	±0.2	DRAWN BY M. NABEI	DATE 2004/01/09	TITLE EMBOSSD TAPE PACKAGE FOR 0.5 FPC CONN. -LEAD FREE-		
	10 OVER 30 UNDER	±0.25	CHECKED BY M. SASAO	DATE 2004/01/09	MOLEX INCORPORATED		
	30 OVER	±0.3	APPROVED BY M. SASAO	DATE 2004/01/09	DOCUMENT NO. SD-52892-041	SHEET NO. 1 OF 2	
A	ANGULAR	±3	MATERIAL NO. 52892-**-95		THIS DRAWING CONTAINS INFORMATION THAT IS PROPRIETARY TO MOLEX INCORPORATED AND SHOULD NOT BE USED WITHOUT WRITTEN PERMISSION		
DRAFT WHERE APPLICABLE MUST REMAIN WITHIN DIMENSIONS							

注記 NOTES

- 製品詳細寸法については製品単体図面を参照下さい。
RE DETAILED DIMENSION, SEE PRODUCT DRAWING.
- 梱包数量: 3000 個/リール
NUMBER OF CONNECTORS : 3000PCS/REEL
- リードテープ長さ LEAD TAPE LENGTH



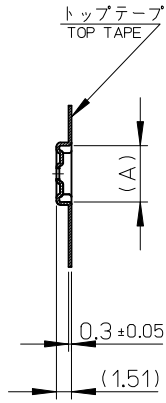
- トップテープの剥離強度: 0.1N~1.3N(10gf~130gf)
(剥離方向は下図参照)
尚、本規格値は出荷時に適用。(但し、輸送時に剥離が発生しないこと。)
PEELING OFF FORCE OF TOP TAPE : 0.1N~1.3N(10gf~130gf)
(PEELING DIRECTION AS SHOWN IN FOLLOWING FIG.)
THIS REQUIREMENT SHOULD BE APPLIED AT SHIPMENT.
PEEL OFF SHOULD NOT BE ALLOWED, DURING TRANSPORTION.



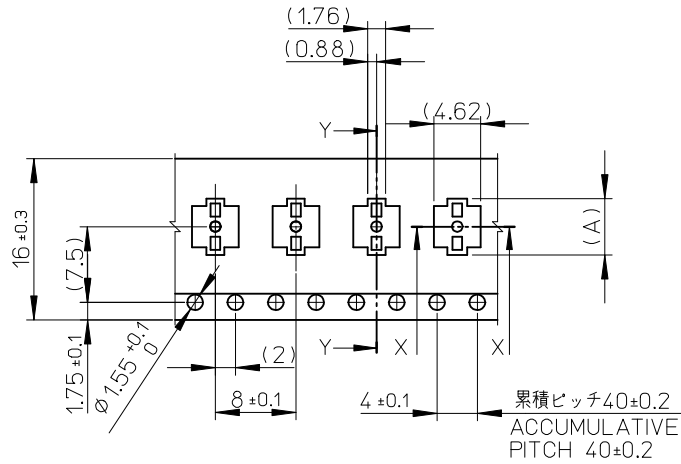
- 材料 MATERIAL
キャリアテープ (CARRIER TAPE): ポリスチレン (POLYSTYRENE)
トップテープ (TOP TAPE): PET, OTHER
リール (REEL): ポリスチレン (PS) <リサイクル材を含む>
POLYSTYRENE (PS) <RECYCLE MATERIAL CONTAINED>
- ELV 及び RoHS適合品
ELV AND RoHS COMPLIANT

REVISED EC NO: J2013-1026 DRWN: TARA01 2013/03/19 CHKD: TASAKAWA 2013/03/19 APPR: MSASAO 2013/03/19	DESCRIPTION REV	GENERAL TOLERANCES (UNLESS SPECIFIED)		DIMENSION STYLE MM ONLY		SCALE ---:---	DESIGN UNITS METRIC	MODEL NO. 503776-***0	
		10 UNDER	±0.2	DRAWN BY KSASAKI	DATE 2011/06/09	TITLE 0.4 BB CONN. HGT=0.8 PLUG ASSY EMBSTP PKG			
		10 OVER 30 UNDER	±0.25	CHECKED BY RTAKEUCHI	DATE 2011/06/09				
		30 OVER	±0.3	APPROVED BY MSASAO	DATE 2011/06/13				
ANGULAR ±1 °		DRAFT WHERE APPLICABLE MUST REMAIN WITHIN DIMENSIONS		MATERIAL NO. SEE CHART		DOCUMENT NO. SD-503776-002		SHEET NO. 1 OF 3	
THIS DRAWING CONTAINS INFORMATION THAT IS PROPRIETARY TO MOLEX INCORPORATED AND SHOULD NOT BE USED WITHOUT WRITTEN PERMISSION									

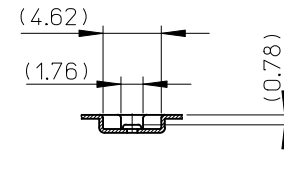
引き出し方向
PULL OUT DIRECTION



SECTION Y-Y



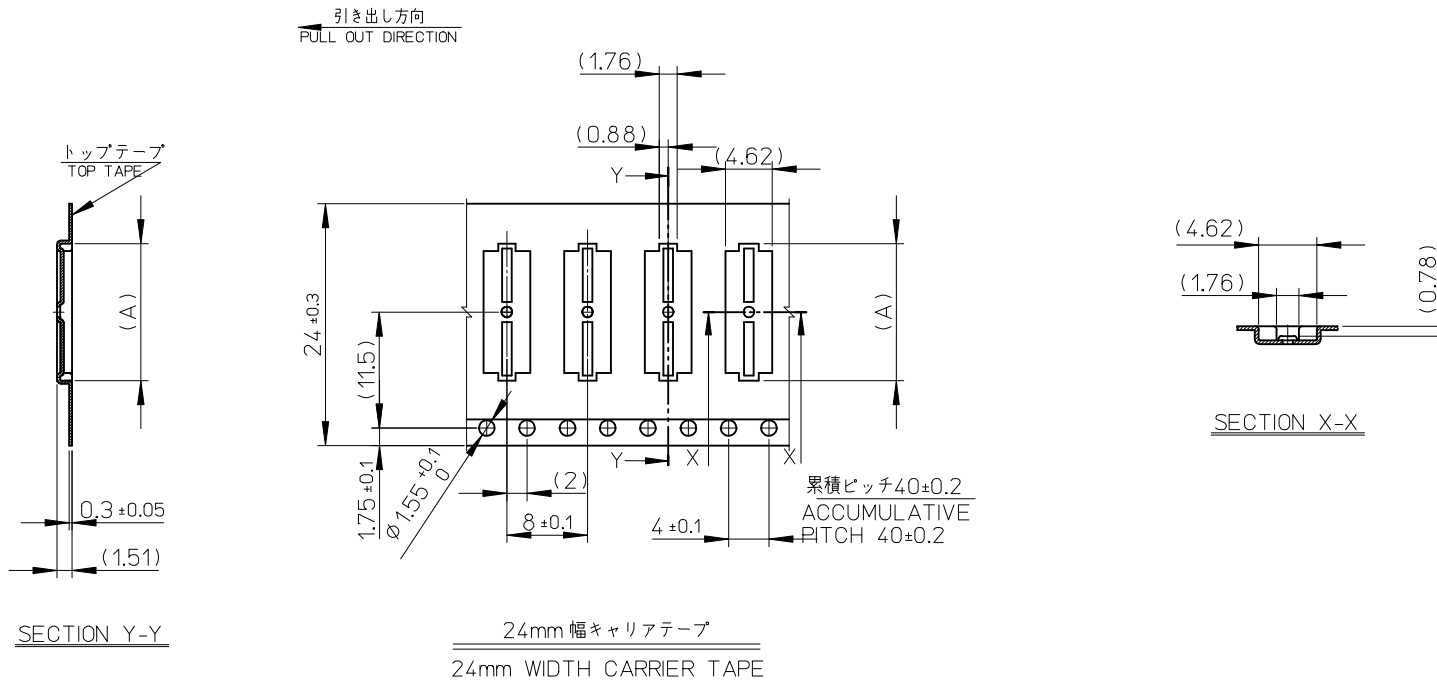
16mm 幅キャリアテープ
16mm WIDTH CARRIER TAPE



SECTION X-X

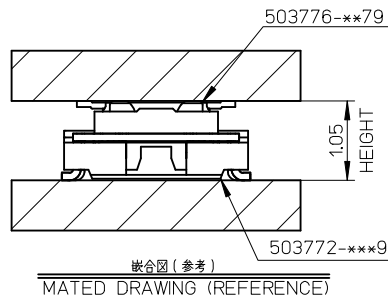
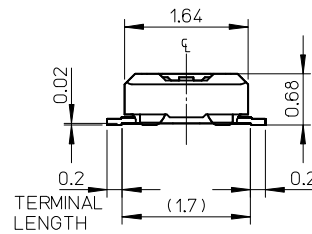
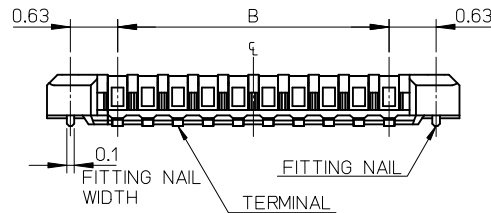
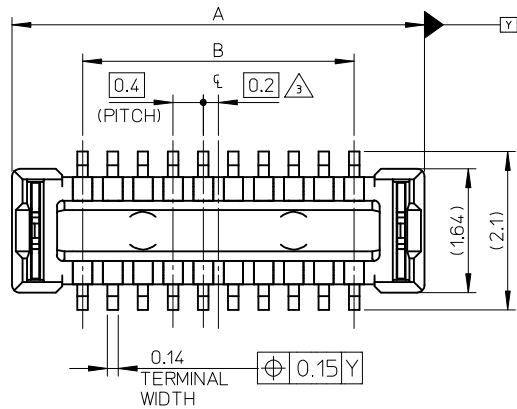
16	21.4	17.4	6.39	503776-2410	24
			5.59	503776-2010	20
			4.79	503776-1610	16
			3.59	503776-1010	10
キャリアテープ幅 CARRIER TAPE WIDTH			C	B	(A)
			MATERIAL No.		CKT.
			MODEL No.		503776-***0

REVISED EC NO: J2013-1026 DRWN: TARA101 2013/03/19 CHKD: TASAKAWA 2013/03/19 APPR: MSASAO 2013/03/19	DESCRIPTION REV	GENERAL TOLERANCES (UNLESS SPECIFIED)		DIMENSION STYLE MM ONLY		SCALE 5:1	DESIGN UNITS METRIC	THIRD ANGLE PROJECTION		
		10 UNDER	± 0.2	DRAWN BY KSASAKI	DATE 2011/06/09	TITLE 0.4 BB CONN. HGT=0.8 PLUG ASSY EMBSTP PKG				
		10 OVER 30 UNDER	± 0.25	CHECKED BY RTAKEUCHI	DATE 2011/06/09					
		30 OVER	± 0.3	APPROVED BY MSASAO	DATE 2011/06/13					
		ANGULAR ± 1 °		DRAFT WHERE APPLICABLE MUST REMAIN WITHIN DIMENSIONS		MATERIAL NO. SEE CHART		DOCUMENT NO. SD-503776-002		SHEET NO. 2 OF 3



24	29.4	25.4	13.59	503776-6010	60
			11.59	503776-5010	50
			9.59	503776-4010	40
			8.39	503776-3410	34
			7.59	503776-3010	30
キャリアテープ幅 CARRIER TAPE WIDTH			C	B	(A)
			MATERIAL No.	503776-***0	
			MODEL No.	503776-***0	

REVISED EC NO: J2013-1026 DRWN: TARA101 CHKD: TASAKAWA APPR: MSASAO 2013/03/19 2013/03/19 2013/03/19	DESCRIPTION	GENERAL TOLERANCES (UNLESS SPECIFIED)		DIMENSION STYLE MM ONLY		SCALE 5:1	DESIGN UNITS METRIC	THIRD ANGLE PROJECTION	
		10 UNDER	± 0.2	DRAWN BY KSASAKI	DATE 2011/06/09	TITLE 0.4 BB CONN. HGT=0.8 PLUG ASSY EMBSTP PKG			
		10 OVER 30 UNDER	± 0.25	CHECKED BY RTAKEUCHI	DATE 2011/06/09				
		30 OVER	± 0.3	APPROVED BY MSASAO	DATE 2011/06/13				
		ANGULAR ± 1 °		DRAFT WHERE APPLICABLE MUST REMAIN WITHIN DIMENSIONS		MATERIAL NO. SEE CHART		DOCUMENT NO. SD-503776-002	



注記 NOTES

1. 使用材料 MATERIAL

ハウジング : 液晶ポリマー (LCP) UL94V-0 (黒)
HOUSING: LIQUID CRYSTAL POLYMER UL94V-0 (COLOR: BLACK)

ターミナル : 銅合金
TERMINAL : COPPER ALLOY

金具 : 銅合金
FITTING NAIL : COPPER ALLOY

2. メッキ仕様 PLATING

ターミナル TERMINAL

金メッキ
GOLD

下地メッキ : ニッケルメッキ
UNDER PLATING : NICKEL

※コンタクト部とテール部はニッケルメッキによって分断されている金メッキです。
DIVIDE INTO PARTS THE GOLD PLATING OF THE CONTACT AND THE TAIL PART BY THE NICKEL PLATING.

金具 FITTING NAIL

錫メッキ
Tin PLATING

下地メッキ : ニッケルメッキ
UNDER PLATING : NICKEL

△ (全極数 / 2) = 偶数の場合に適用。
APPLY FOR (CIRCUIT / 2) = EVEN.

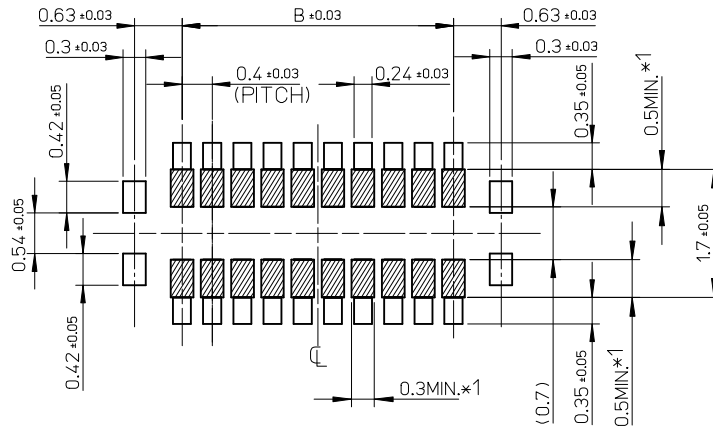
4. 嵌合相手 : 503772 シリーズ
MATE WITH : 503772 SERIES.

5. テール及び金具の平坦度は、0.08 以下
TAIL AND FITTING NAIL COPLANARITY TO BE 0.08 MAXIMUM.

6. ELV and RoHS COMPLIANT

9.6	11.47	503776-5070	50
7.6	9.47	503776-4070	40
6.4	8.27	503776-3470	34
5.6	7.47	503776-3070	30
B	A	EMBOSSED PACKAGE	
		オーダー番号 ORDER No.	極数 CIRCUITS
		CONNECTOR SERIES NO.: 503776-***79	

RELEASED EC NO: J2013-0521 DRAWN BY FUJIMAKI 2012/11/06 CHKD: TASAKAWA APPR: MSASAO 2012/11/13	GENERAL TOLERANCES (UNLESS SPECIFIED)		DIMENSION STYLE MM ONLY	SCALE 15:1	DESIGN UNITS METRIC	THIRD ANGLE PROJECTION
	10 UNDER	± 0.2	DRAWN BY YFUJIMAKI	DATE 2012/11/06	TITLE 0.4 BB CONN.HGT=0.8 W=2.5 PLUG CHECKER TYPE ASS'Y	
	10 OVER 30 UNDER	± 0.25	CHECKED BY TASAKAWA	DATE 2012/11/08		
	30 OVER	± 0.3	APPROVED BY MSASAO	DATE 2012/11/13		
	ANGULAR	± 1 °	MATERIAL NO. SEE TABLE		DOCUMENT NO. SD-503776-003	SHEET NO. 1 OF 2
DRAFT WHERE APPLICABLE MUST REMAIN WITHIN DIMENSIONS		SIZE A3	THIS DRAWING CONTAINS INFORMATION THAT IS PROPRIETARY TO MOLEX INCORPORATED AND SHOULD NOT BE USED WITHOUT WRITTEN PERMISSION			



RECOMMENDED P.W. BOARD
PATTERN LAYOUT

- *1 パターン引き回し、および半田禁止エリア
(当該箇所においては、これと接する回路以外の配線を禁止する。
また、接する回路を配線する場合はレジストを施し、この部分に
半田は無きこととする。)
- *1 PROHIBITED AREA OF PATTERN WIRING AND SOLDER.
(FOR EACH AREA, THE WIRING THAT TOUCHES ON THE SOLDER
CAN BE ATTACHED, THEN COVERED WITH A FILM TO KEEP SOLDER OUT.)

RELEASED EC NO: J2013-0521 DRWN: YFUJIMAKI 2012/11/06 CHKD: TASAKAWA APPR: MSASAO 2012/11/13	GENERAL TOLERANCES (UNLESS SPECIFIED)		DIMENSION STYLE MM ONLY		SCALE 20:1	DESIGN UNITS METRIC	THIRD ANGLE PROJECTION	
	10 UNDER	± 0.2	DRAWN BY YFUJIMAKI	DATE 2012/11/06	TITLE 0.4 BB CONN.HGT=0.8 W=2.5 PLUG CHECKER TYPE ASS'Y			
	10 OVER 30 UNDER	± 0.25	CHECKED BY TASAKAWA	DATE 2012/11/08				
	30 OVER	± 0.3	APPROVED BY MSASAO	DATE 2012/11/13	molex DOCUMENT NO. SD-503776-003 SHEET NO. 2 OF 2			
ANGULAR ±1 °		MATERIAL NO. SEE SHEET 1						
DRAFT WHERE APPLICABLE MUST REMAIN WITHIN DIMENSIONS		THIS DRAWING CONTAINS INFORMATION THAT IS PROPRIETARY TO MOLEX INCORPORATED AND SHOULD NOT BE USED WITHOUT WRITTEN PERMISSION						