

NOTES:

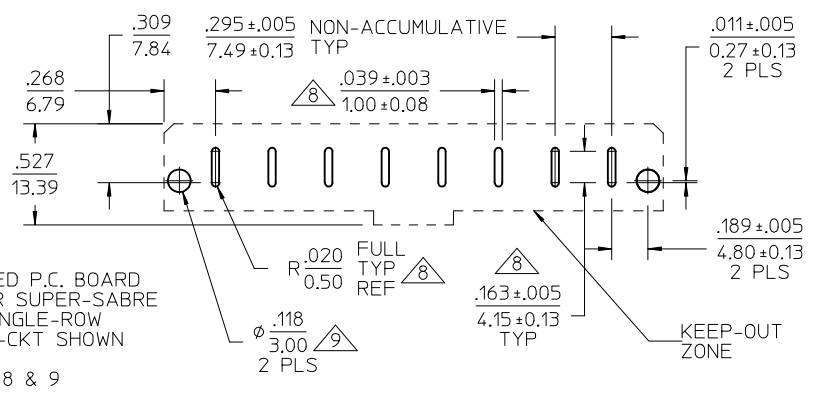
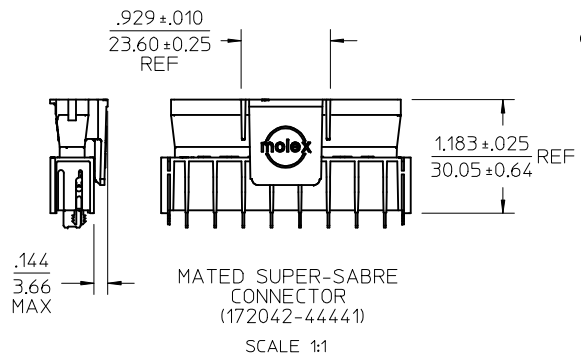
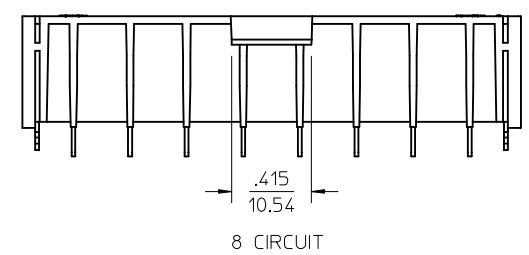
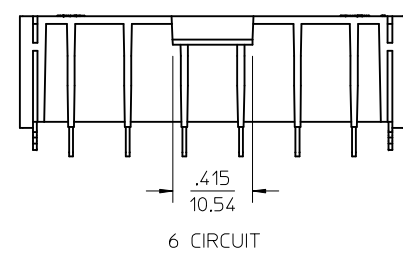
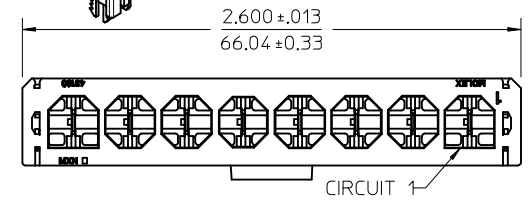
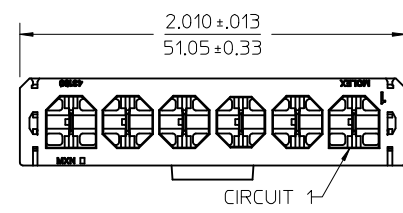
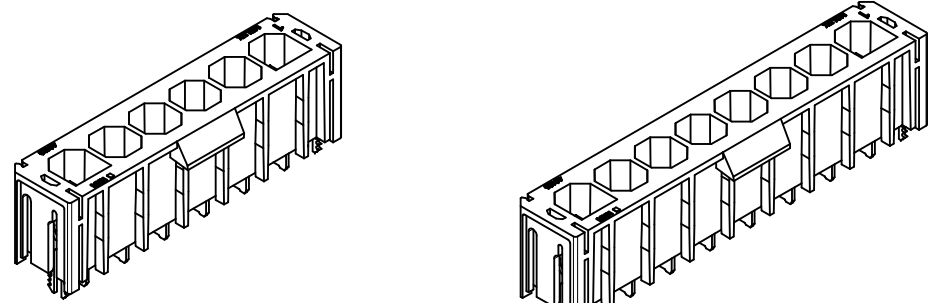
- MATERIALS  
HOUSING: GLASS-FILLED, LIQUID CRYSTAL POLYMER (LCP), UL94V-0, LOW-HALOGEN, GLOW-WIRE CAPABLE, COLOR: BLACK  
TERMINALS: ETP COPPER
- FINISHES:  
.000100/.00254 MIN SELECT SILVER AND .000100/.00254 MIN SELECT MATTE TIN OVER NICKEL OVERALL
- PRODUCT SPECIFICATION:  
PS-171825-001 (PENDING)
- PACKAGING INFORMATION:  
PK-43789-001 (TRAY PACK)
- MATES WITH:  
171825 FEMALE CRIMP TERMINALS  
44441 RECEPTACLE HOUSINGS
- THIS PART CONFORMS TO CLASS B REQUIREMENTS OF COSMETIC SPEC PS-45499-002.
- HEADERS INDICATED AS "FINGER-PROOF" ARE DESIGNED TO MINIMIZE ACCESSIBILITY TO LIVE PARTS, PER UL 1977 AND UL 60950 FINGER PROBE REQUIREMENTS.
- SLOTTED VIAS, PLATED-THRU, MOLEX RECOMMENDS ANNULAR RING DESIGN PARAMETERS AS SPECIFIED IN IPC-2221, GENERIC STANDARD ON PRINTED BOARD DESIGN.
- .118/3.00 MOUNTING-HOLES (NON-PLATED) FOR OPTIONAL BOARD-LOCKS SHOWN.

RELEASE REV. A EC NO: UCP2014-2280 DRW: BANDERSON 2013/11/25 CHK: JHK/PPER 2013/11/27 APPR: FSMITH 2013/12/06	QUALITY SYMBOLS 	GENERAL TOLERANCES (UNLESS SPECIFIED)		DIMENSION STYLE IN/MM		SCALE 2:1	DESIGN UNITS INCH	THIRD ANGLE PROJECTION		
			mm	INCH	DRAWN BY BANDERSON	DATE 2013/06/21	TITLE <b>SUPER-SABRE VERTICAL          HEADER ASSY          SINGLE-ROW</b> 			
		4 PLACES ± --- ± ---	3 PLACES ± --- ± .005	2 PLACES ± 0.13 ± .010	1 PLACE ± 0.25 ± ---	0 PLACE ± --- ± ---				
		ANGULAR ±1/2°	DRAFT WHERE APPLICABLE MUST REMAIN WITHIN DIMENSIONS		MATERIAL NO. <b>SEE CHART</b>		DATE 2013/12/06		DOCUMENT NO. <b>SD-172042-001</b>	SHEET NO. 1 OF 2

SIZE C THIS DRAWING CONTAINS INFORMATION THAT IS PROPRIETARY TO MOLEX INCORPORATED AND SHOULD NOT BE USED WITHOUT WRITTEN PERMISSION

MATERIAL NUMBER*	CIRCUIT SIZE	SOLDER-TAIL	FINGER-PROOF	BOARD-LOCK
1720420201	2	SHORT	YES	NO
1720420202	2	SHORT	YES	YES
1720420203	2	SHORT	NO	NO
1720420204	2	SHORT	NO	YES
1720420205	2	LONG	YES	NO
1720420206	2	LONG	YES	YES
1720420207	2	LONG	NO	NO
1720420208	2	LONG	NO	YES
1720420301	3	SHORT	YES	NO
1720420302	3	SHORT	YES	YES
1720420303	3	SHORT	NO	NO
1720420304	3	SHORT	NO	YES
1720420305	3	LONG	YES	NO
1720420306	3	LONG	YES	YES
1720420307	3	LONG	NO	NO
1720420308	3	LONG	NO	YES
1720420401	4	SHORT	YES	NO
1720420402	4	SHORT	YES	YES
1720420403	4	SHORT	NO	NO
1720420404	4	SHORT	NO	YES
1720420405	4	LONG	YES	NO
1720420406	4	LONG	YES	YES
1720420407	4	LONG	NO	NO
1720420408	4	LONG	NO	YES
1720420501	5	SHORT	YES	NO
1720420502	5	SHORT	YES	YES
1720420503	5	SHORT	NO	NO
1720420504	5	SHORT	NO	YES
1720420505	5	LONG	YES	NO
1720420506	5	LONG	YES	YES
1720420507	5	LONG	NO	NO
1720420508	5	LONG	NO	YES
1720420601	6	SHORT	YES	NO
1720420602	6	SHORT	YES	YES
1720420603	6	SHORT	NO	NO
1720420604	6	SHORT	NO	YES
1720420605	6	LONG	YES	NO
1720420606	6	LONG	YES	YES
1720420607	6	LONG	NO	NO
1720420608	6	LONG	NO	YES
1720420801	8	SHORT	YES	NO
1720420802	8	SHORT	YES	YES
1720420803	8	SHORT	NO	NO
1720420804	8	SHORT	NO	YES
1720420805	8	LONG	YES	NO
1720420806	8	LONG	YES	YES
1720420807	8	LONG	NO	NO
1720420808	8	LONG	NO	YES

SOLDER-TAIL	DIM. "A" ±.020/0.51
SHORT	.150/3.81
LONG	.210/5.33



NOT TOOLED

<b>SEE SHEET 1</b> EC NO: UCP2014-2280 DRAWN: BANDERSON 2013/11/25 CHKD: KJIPPER 2013/11/27 APPR: FSMITH 2013/12/06	QUALITY SYMBOLS ▽=0 ▽=0 ▽=0	GENERAL TOLERANCES (UNLESS SPECIFIED)		DIMENSION STYLE		SCALE	DESIGN UNITS	THIRD ANGLE PROJECTION		
				IN/MM		2:1	INCH			
				DRAWN BY		DATE		TITLE		
				BANDERSON		2013/06/21		SUPER-SABRE VERTICAL HEADER ASSY SINGLE-ROW		
		CHECKED BY		DATE		<b>molex</b> DOCUMENT NO. SD-172042-001 SHEET NO. 2 OF 2				
		APPROVED BY		DATE						
		FSMITH		2013/12/06						
		ANGULAR ±1/2°		MATERIAL NO.						
		DRAFT WHERE APPLICABLE MUST REMAIN WITHIN DIMENSIONS		SEE CHART						
				SIZE		THIS DRAWING CONTAINS INFORMATION THAT IS PROPRIETARY TO MOLEX INCORPORATED AND SHOULD NOT BE USED WITHOUT WRITTEN PERMISSION				